

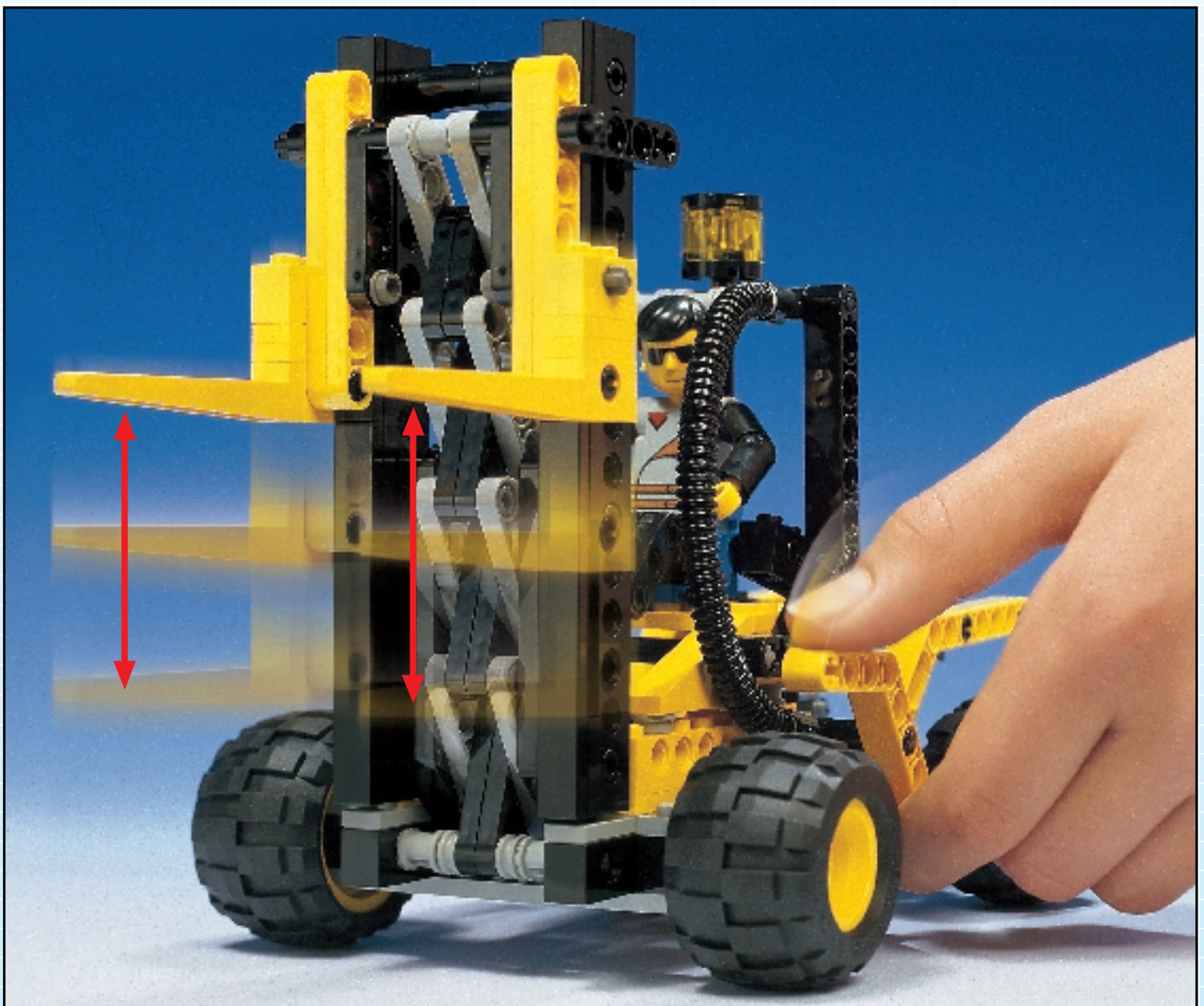
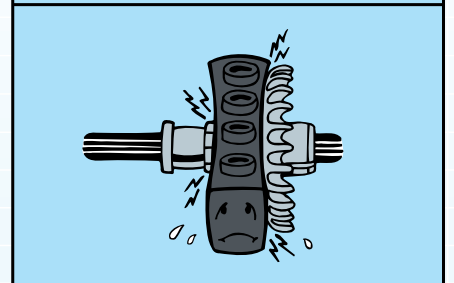
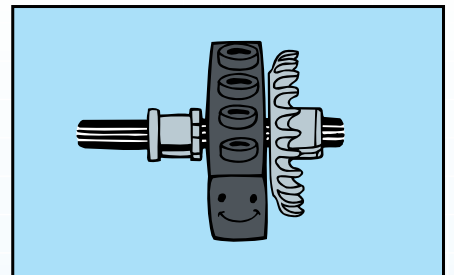
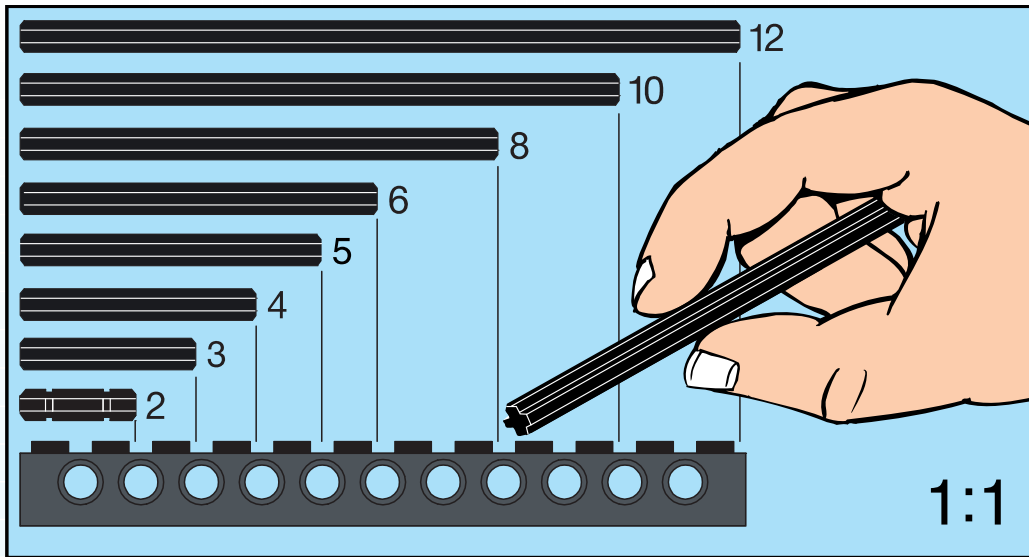


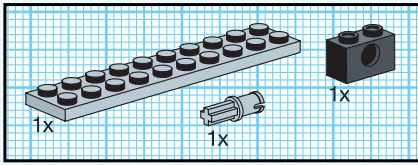
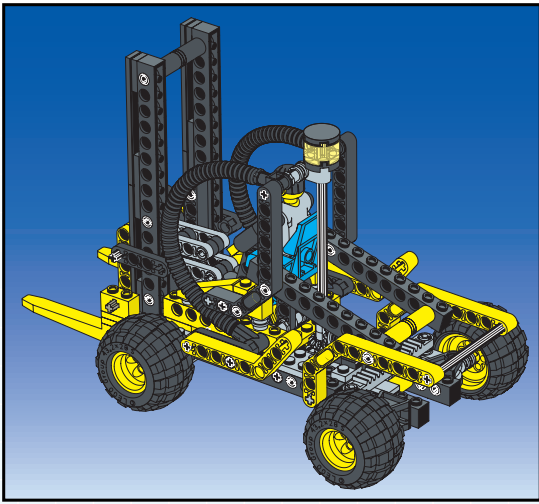
# Technic

8248

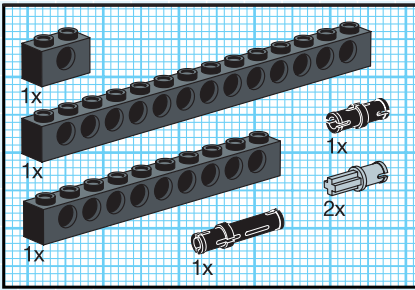
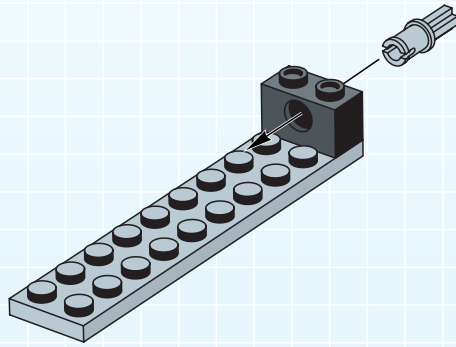




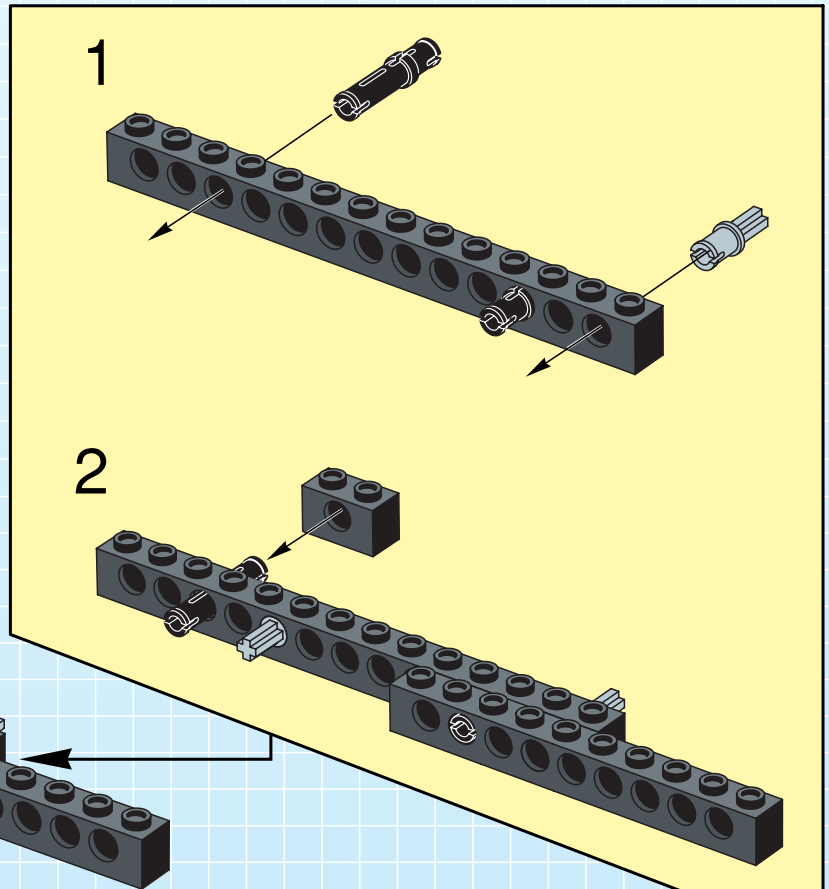
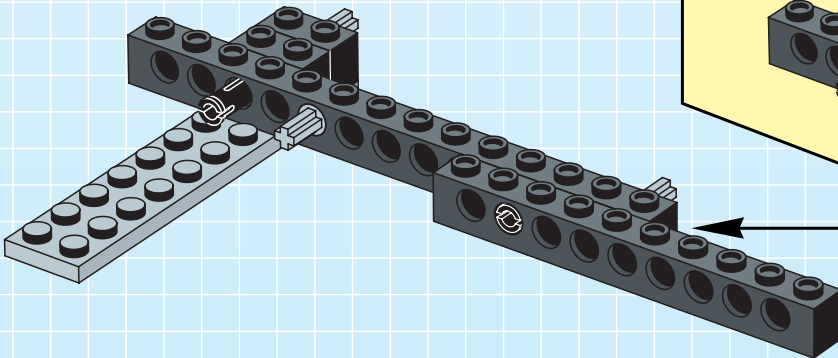


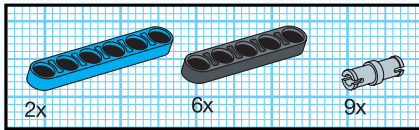
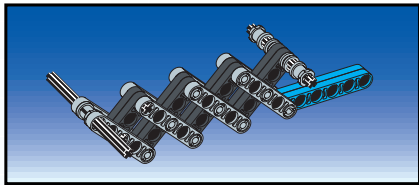


1

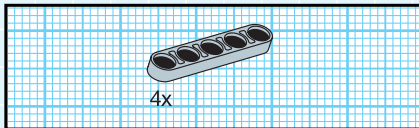
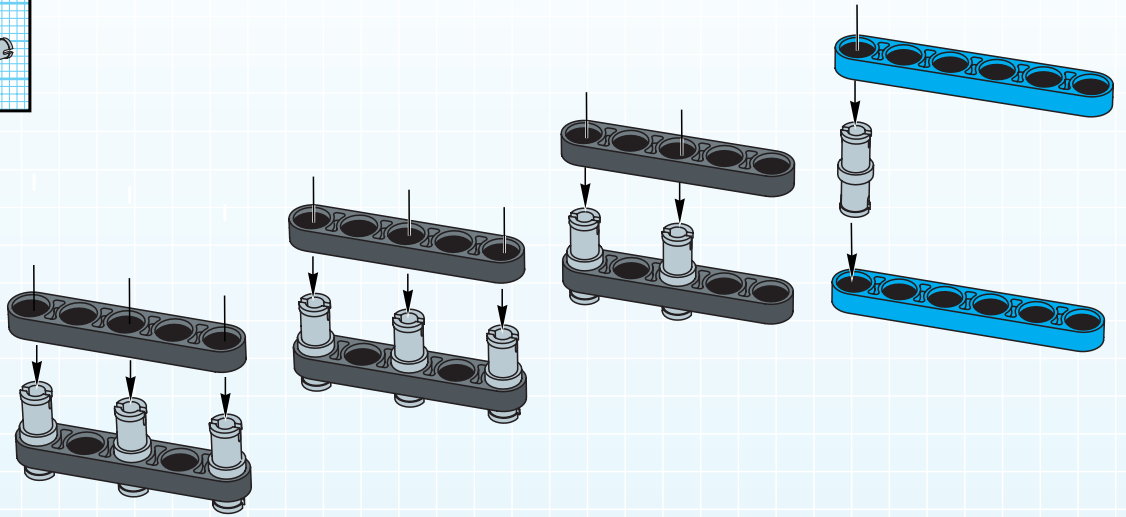


2

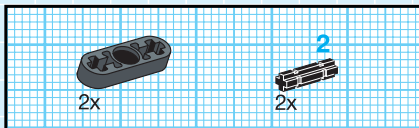
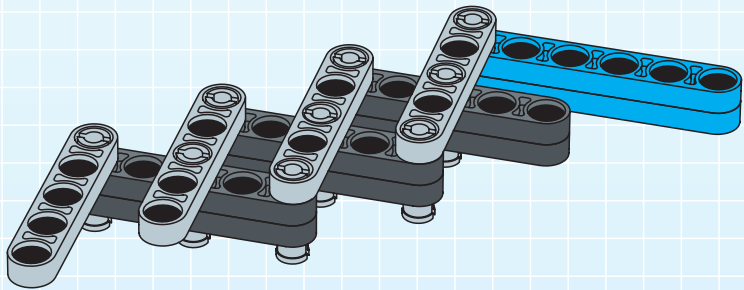




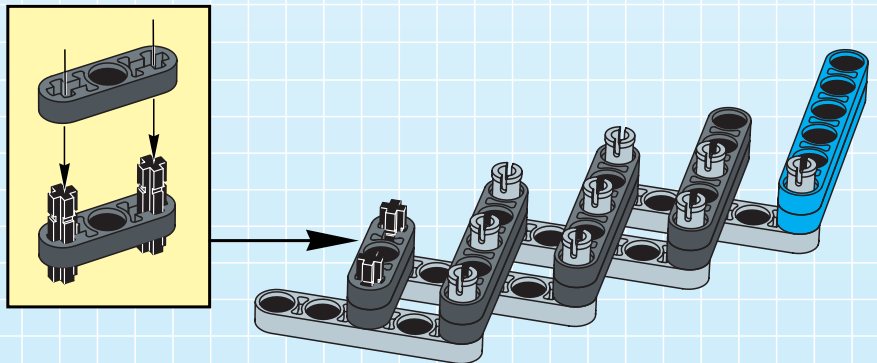
1



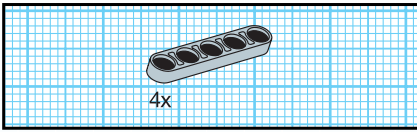
2



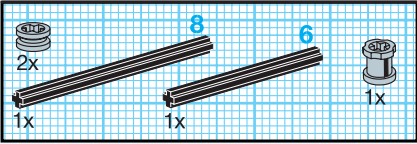
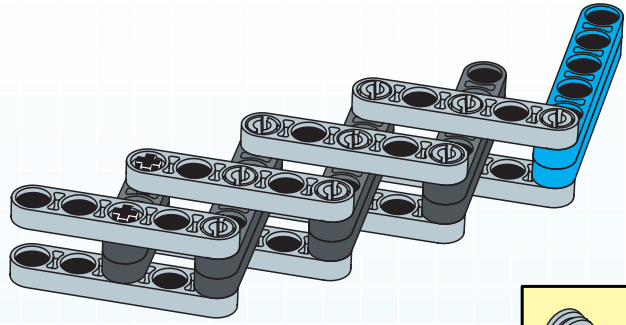
3



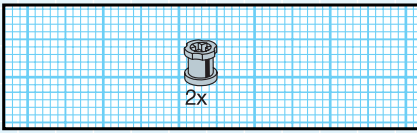
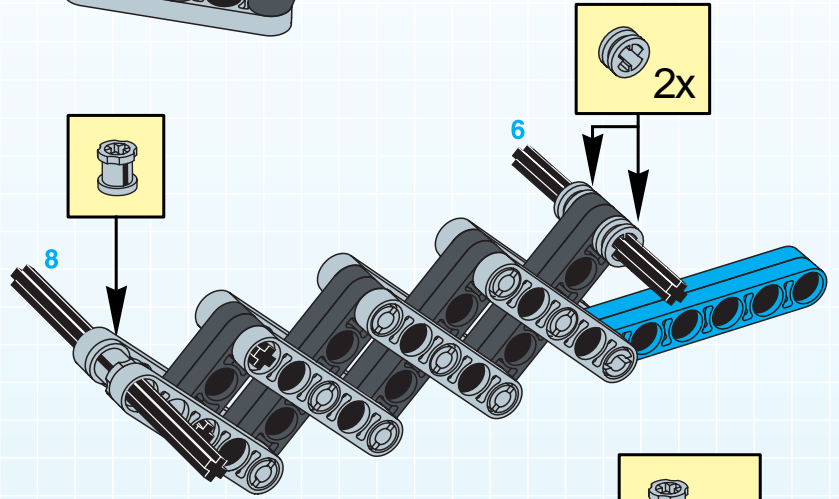




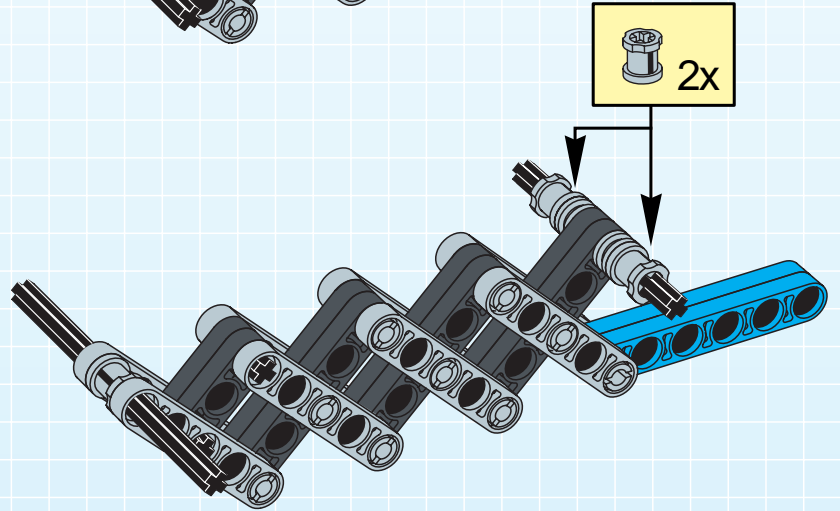
4



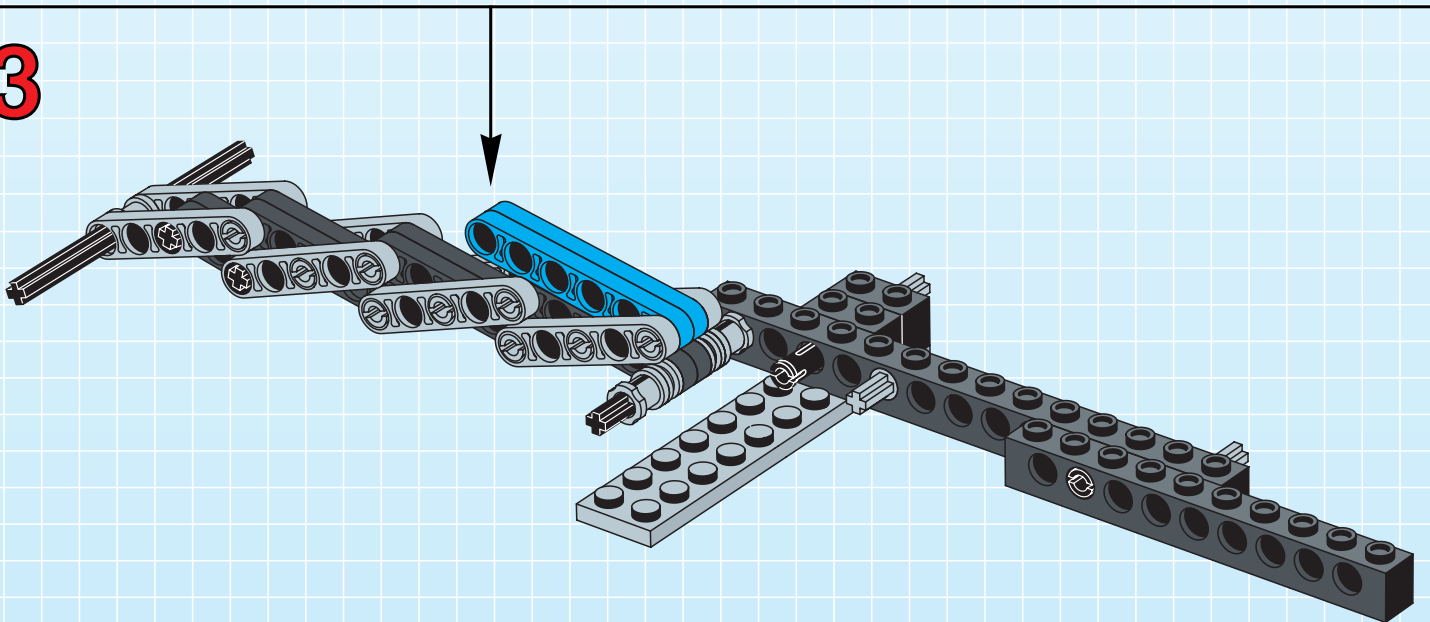
5

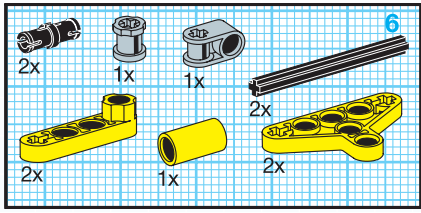


6

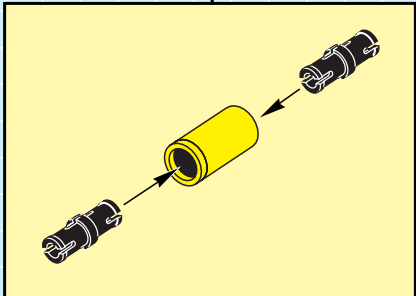
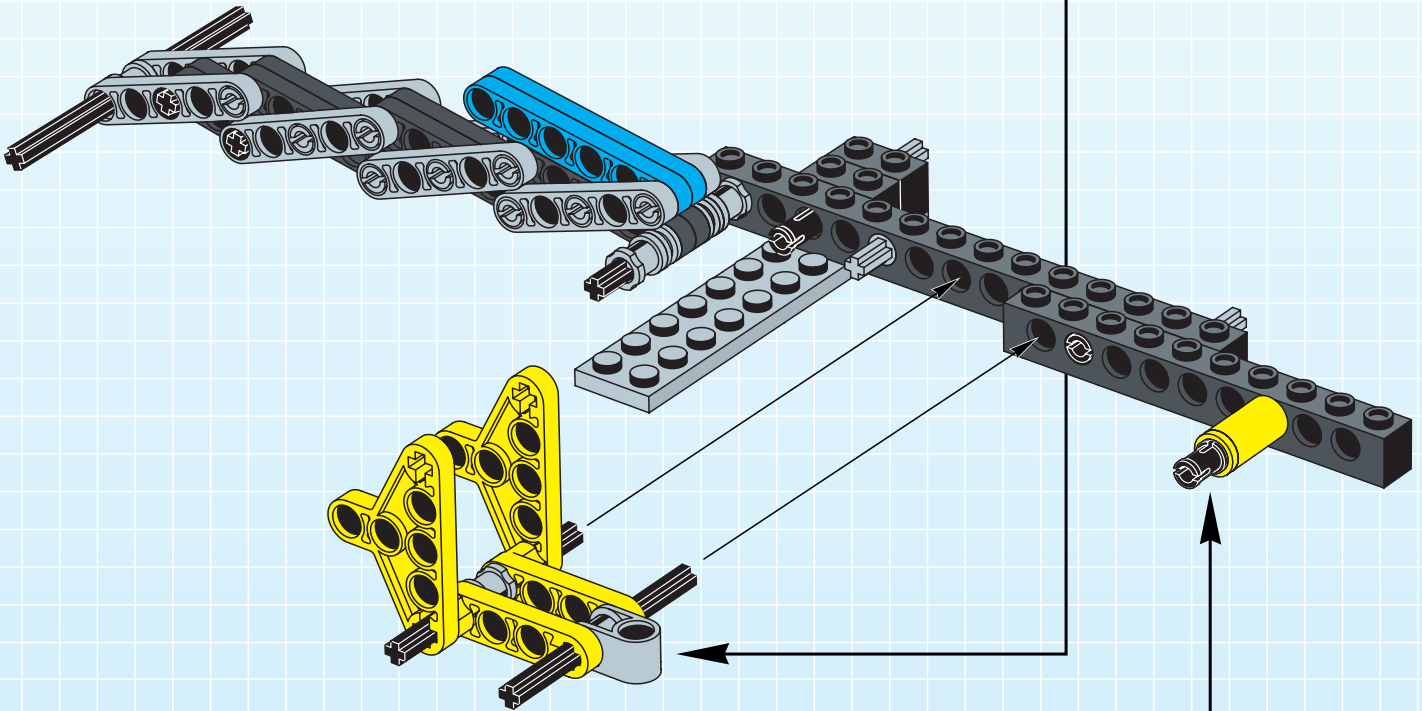
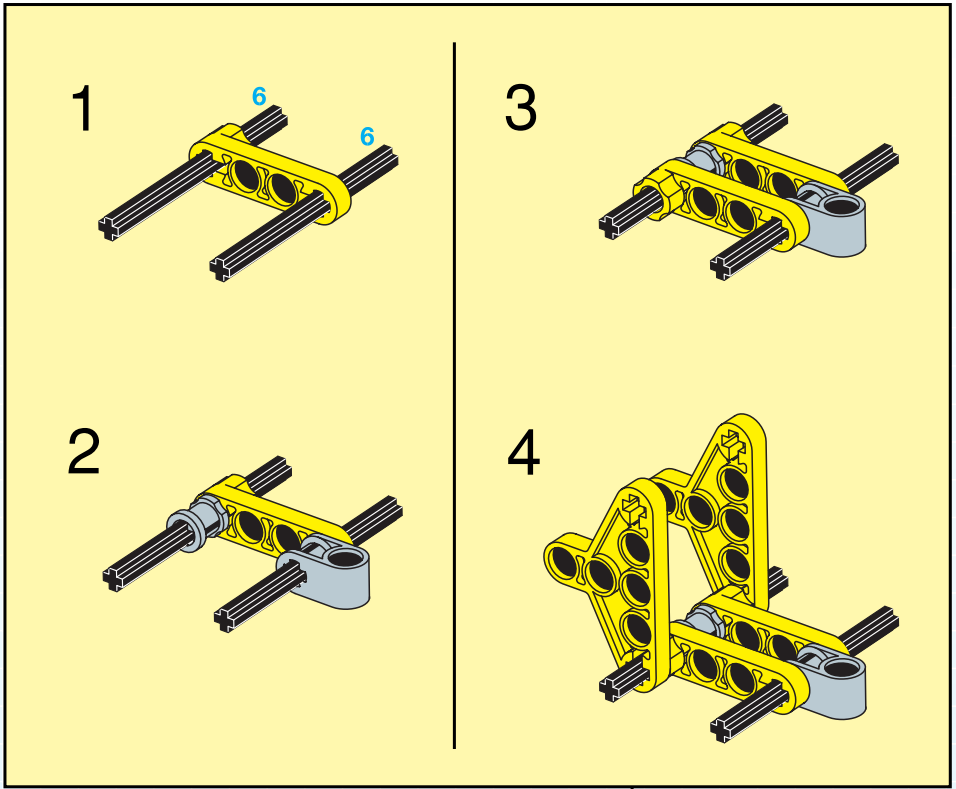


3

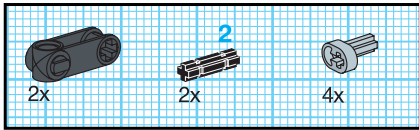




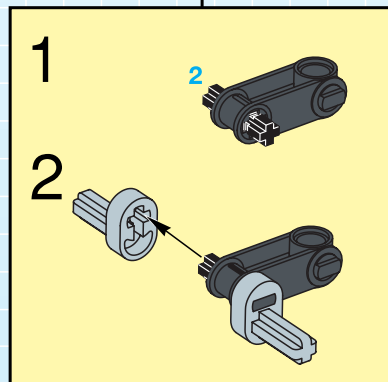
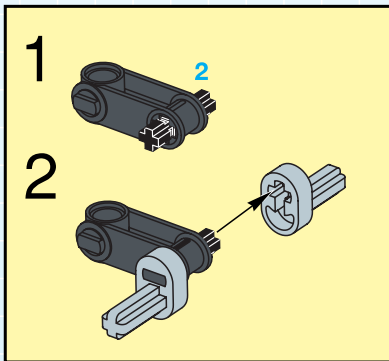
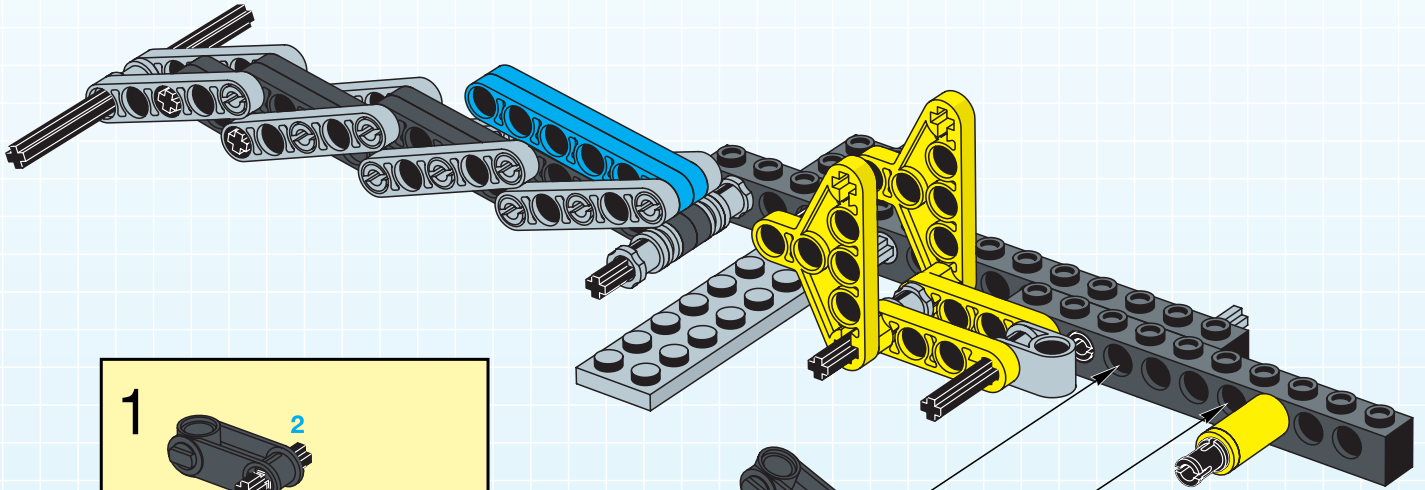
4

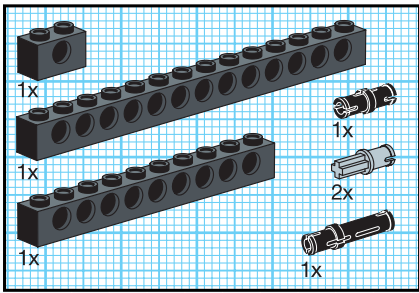




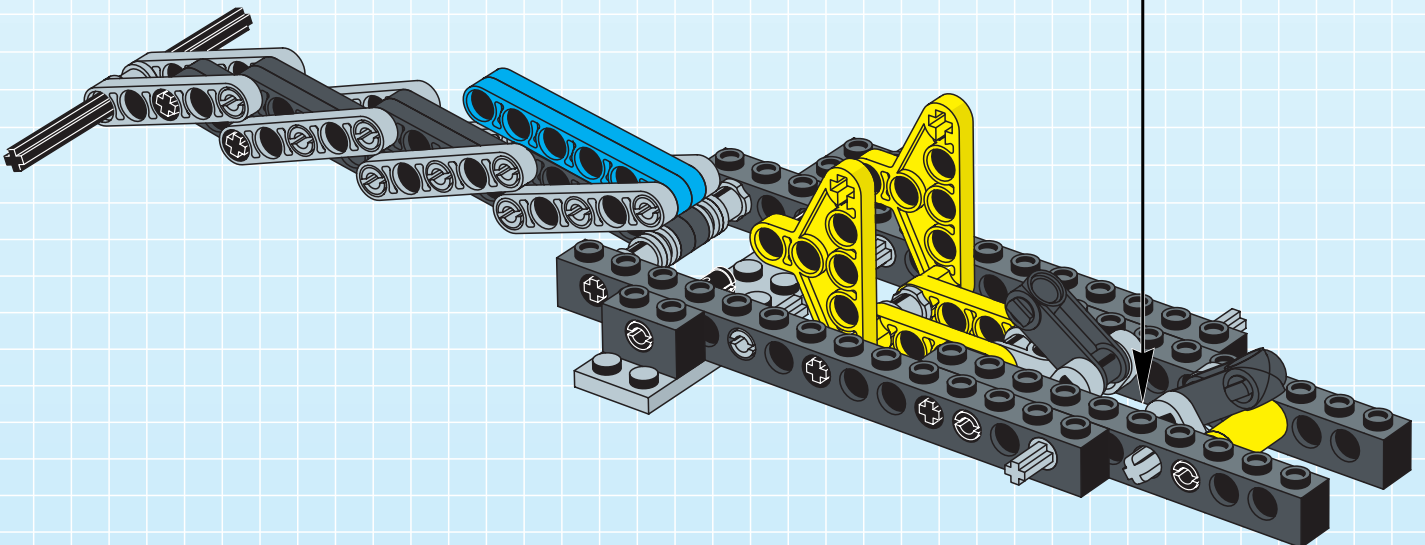
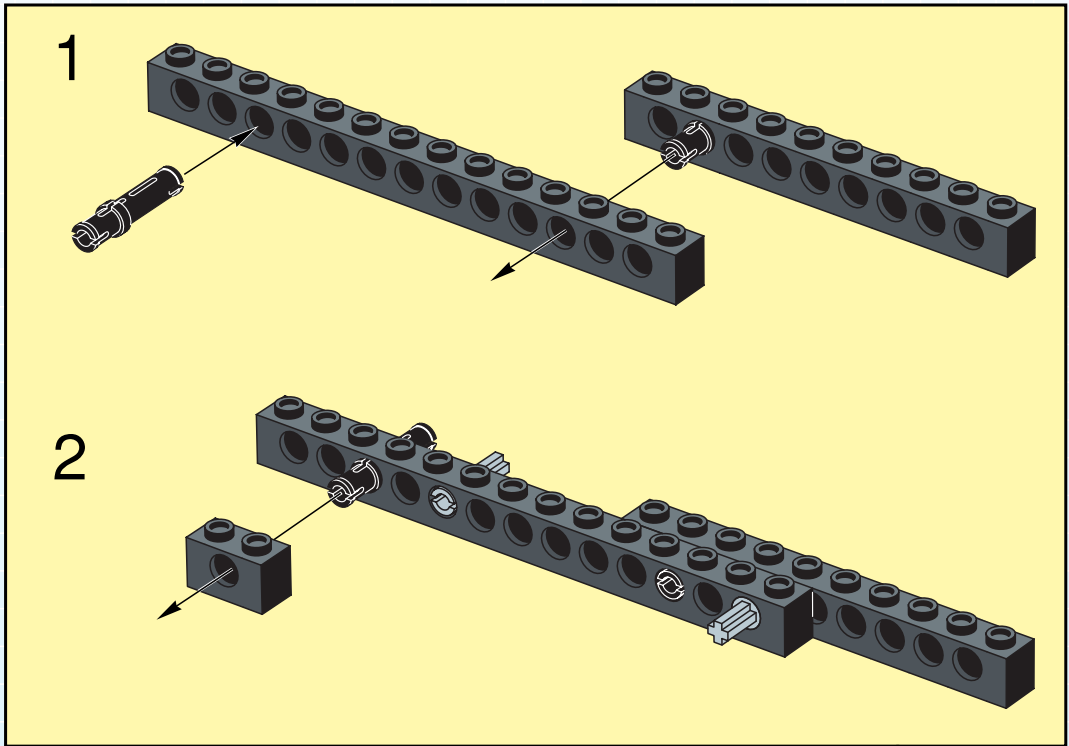


5

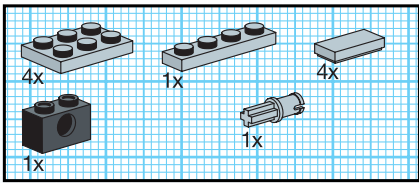




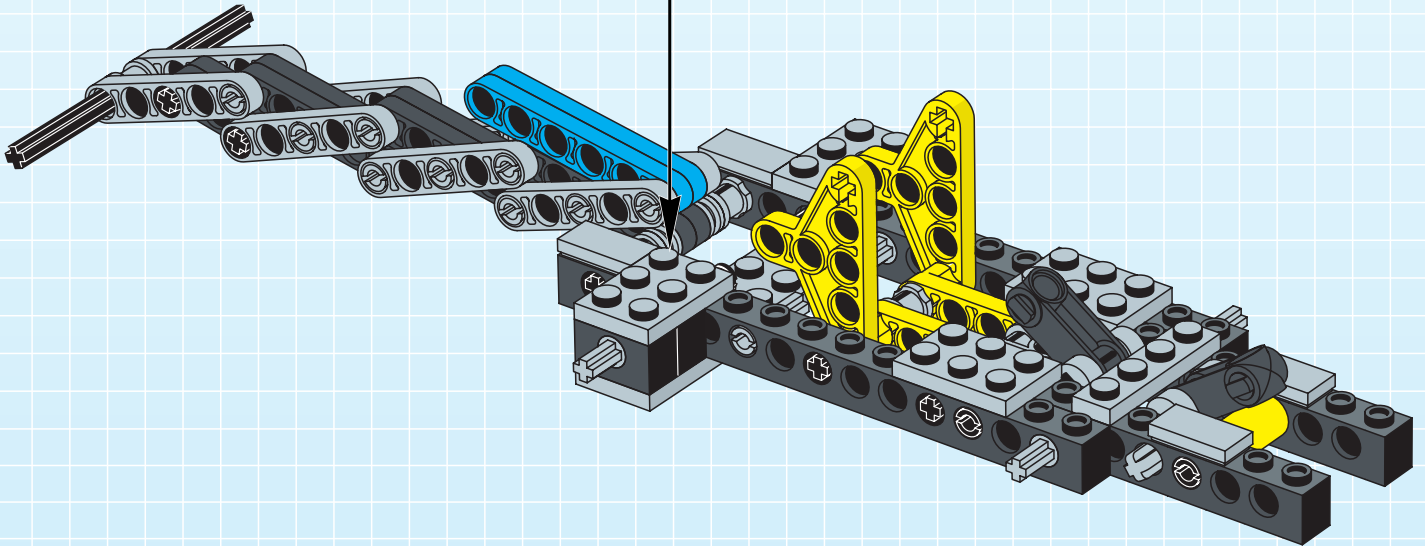
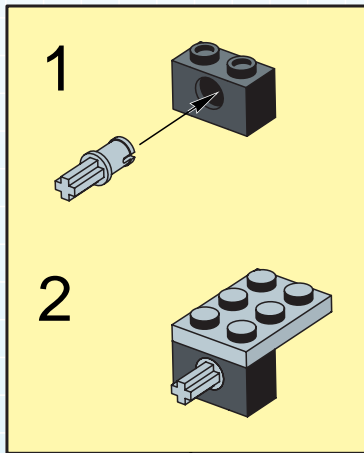
6

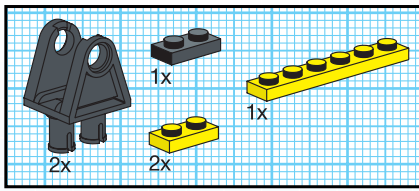




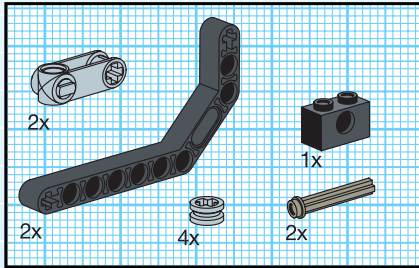
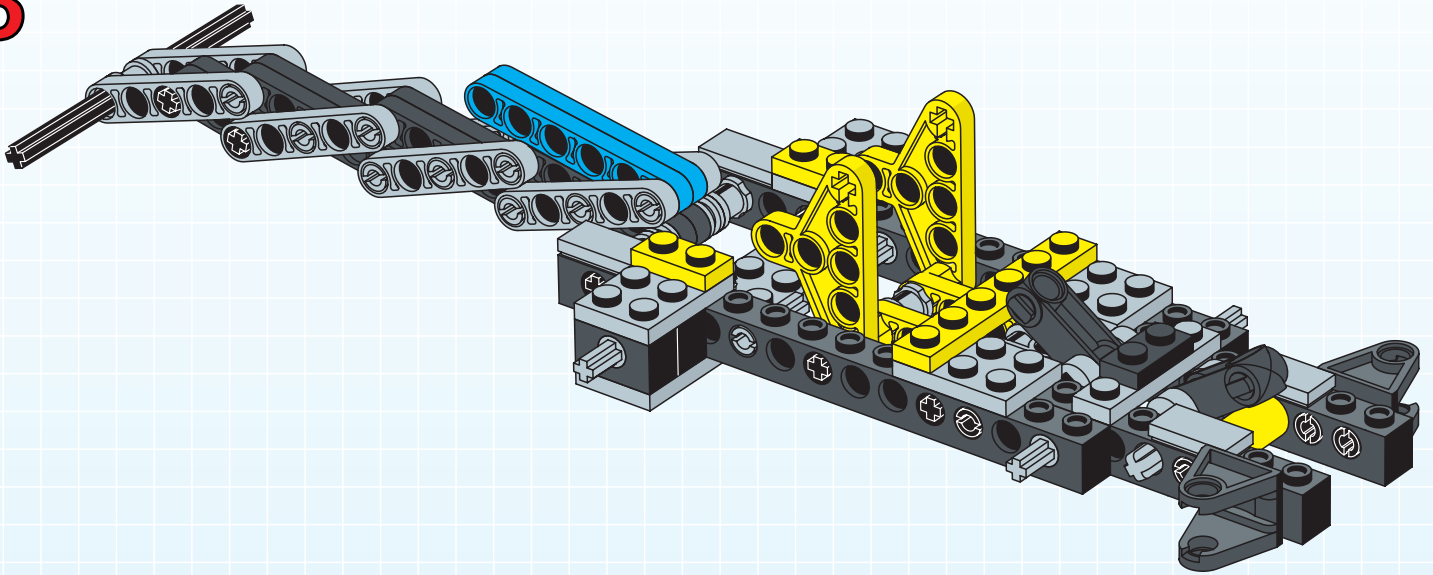


7

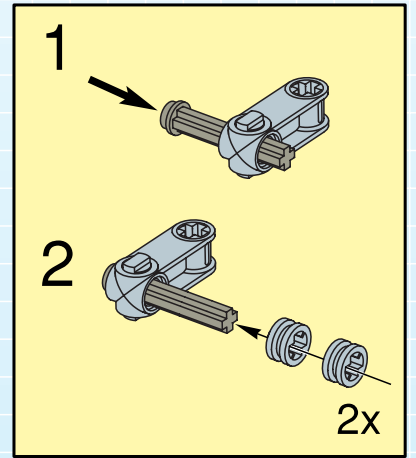
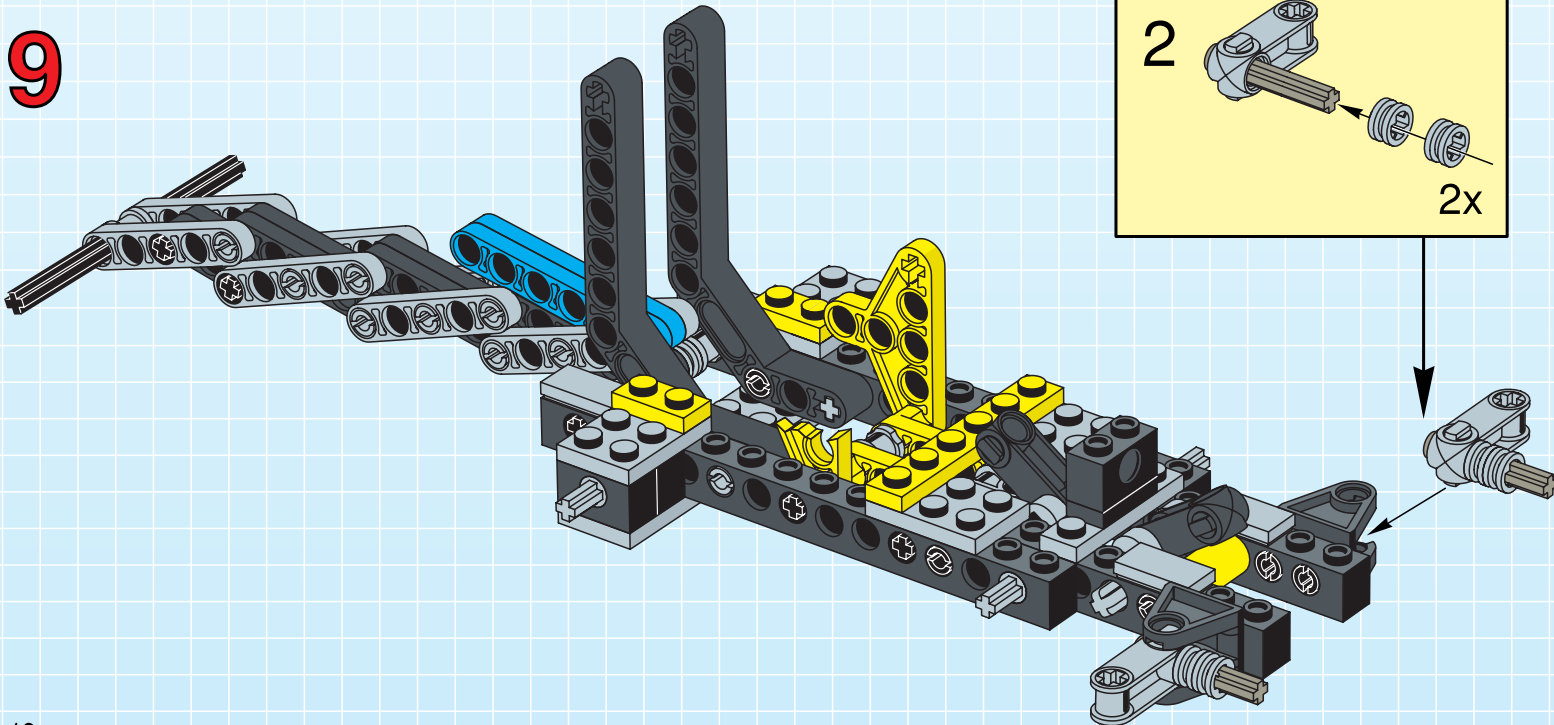




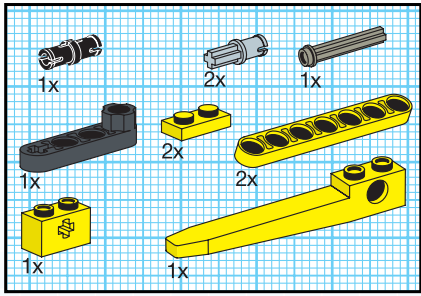
8



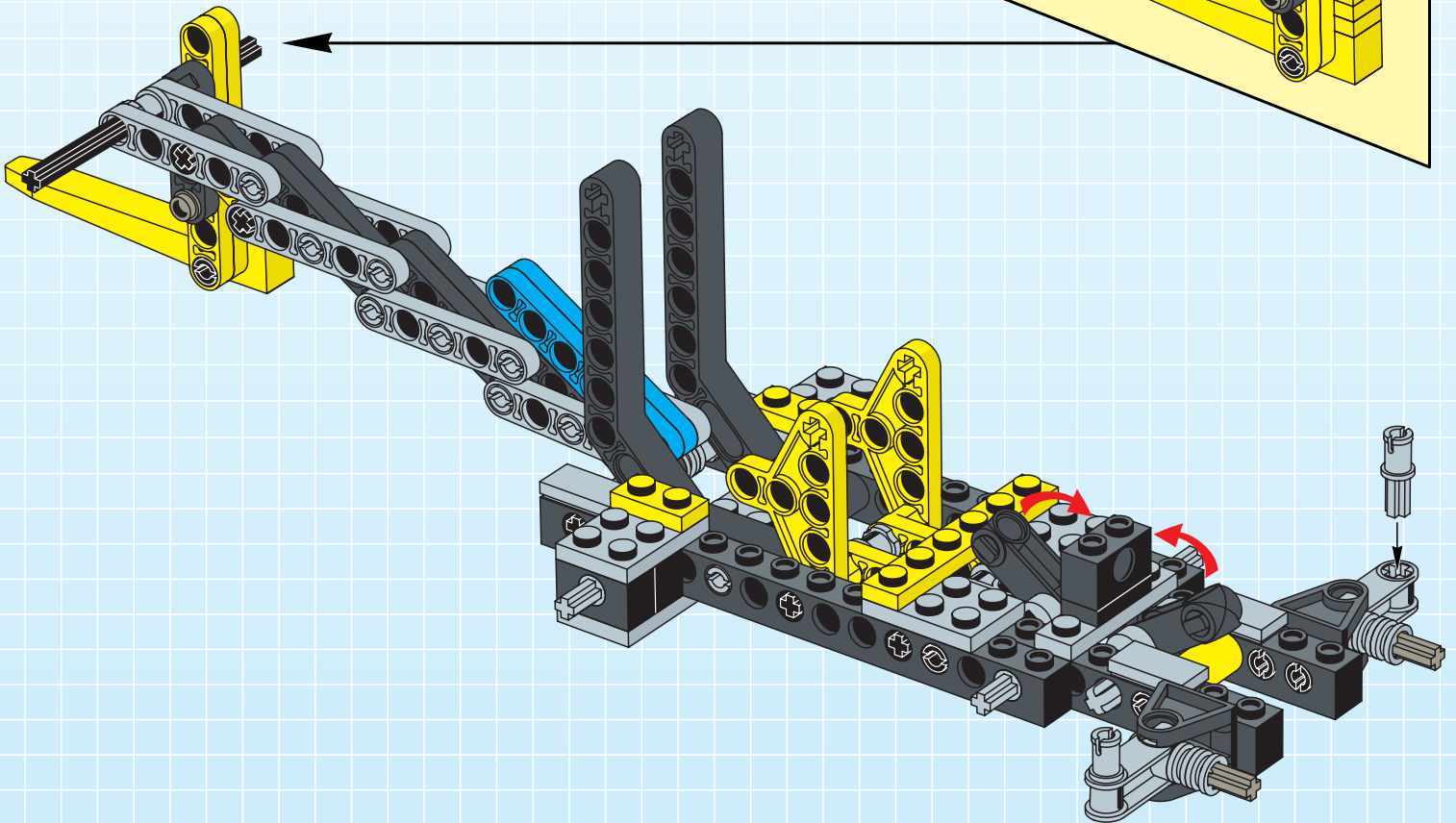
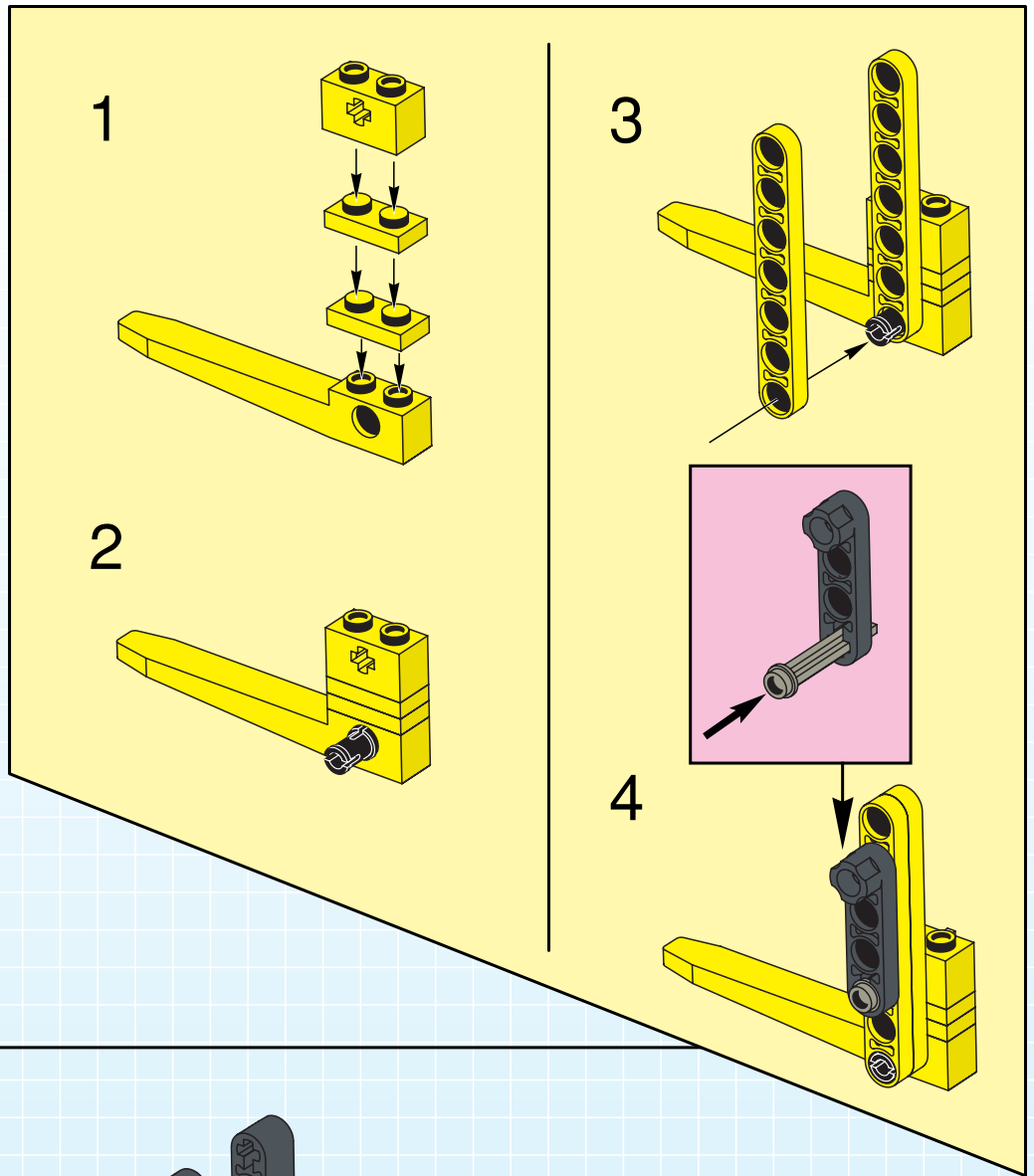
9

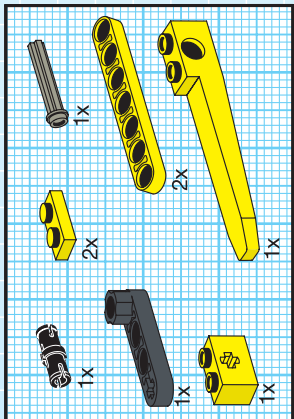
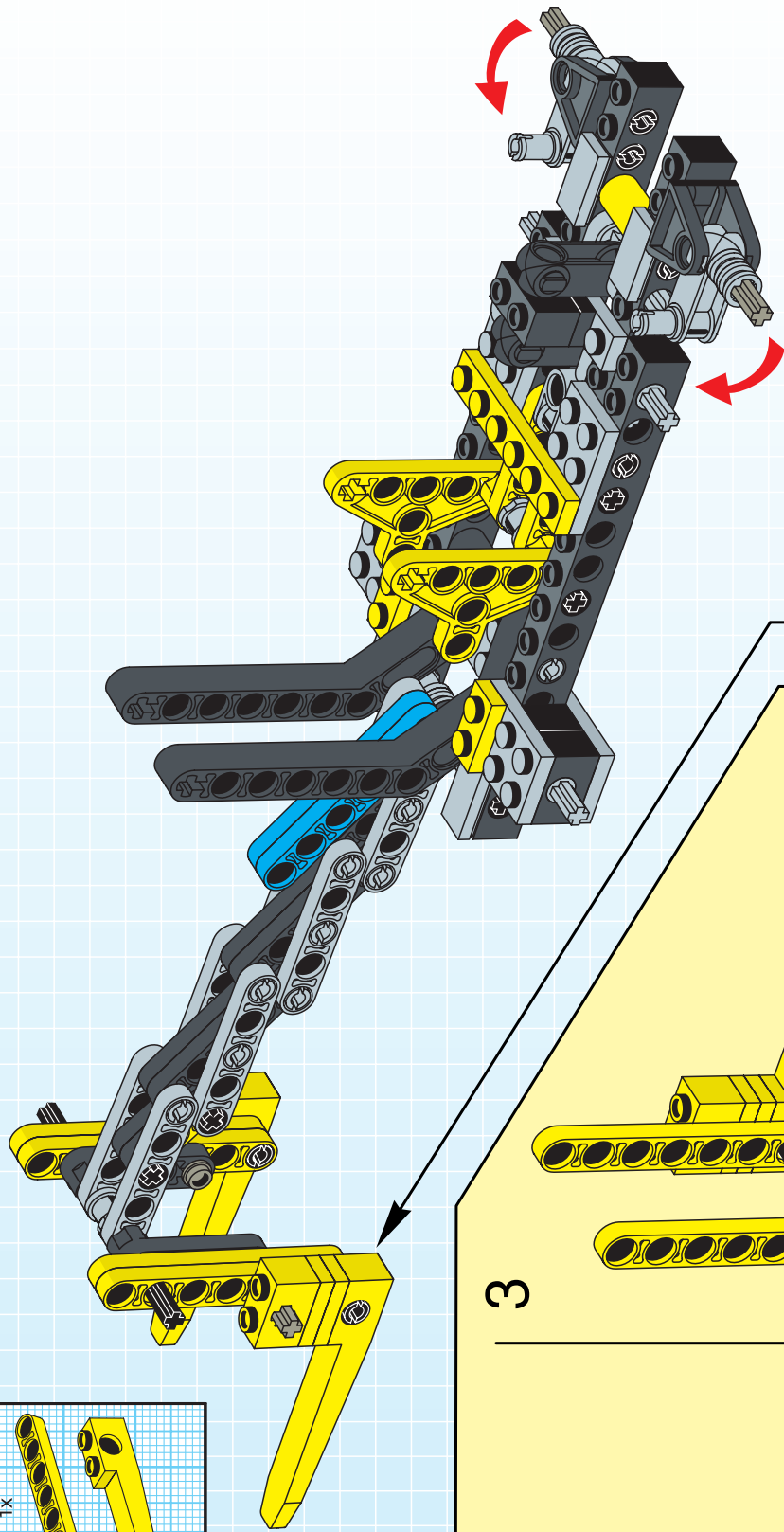




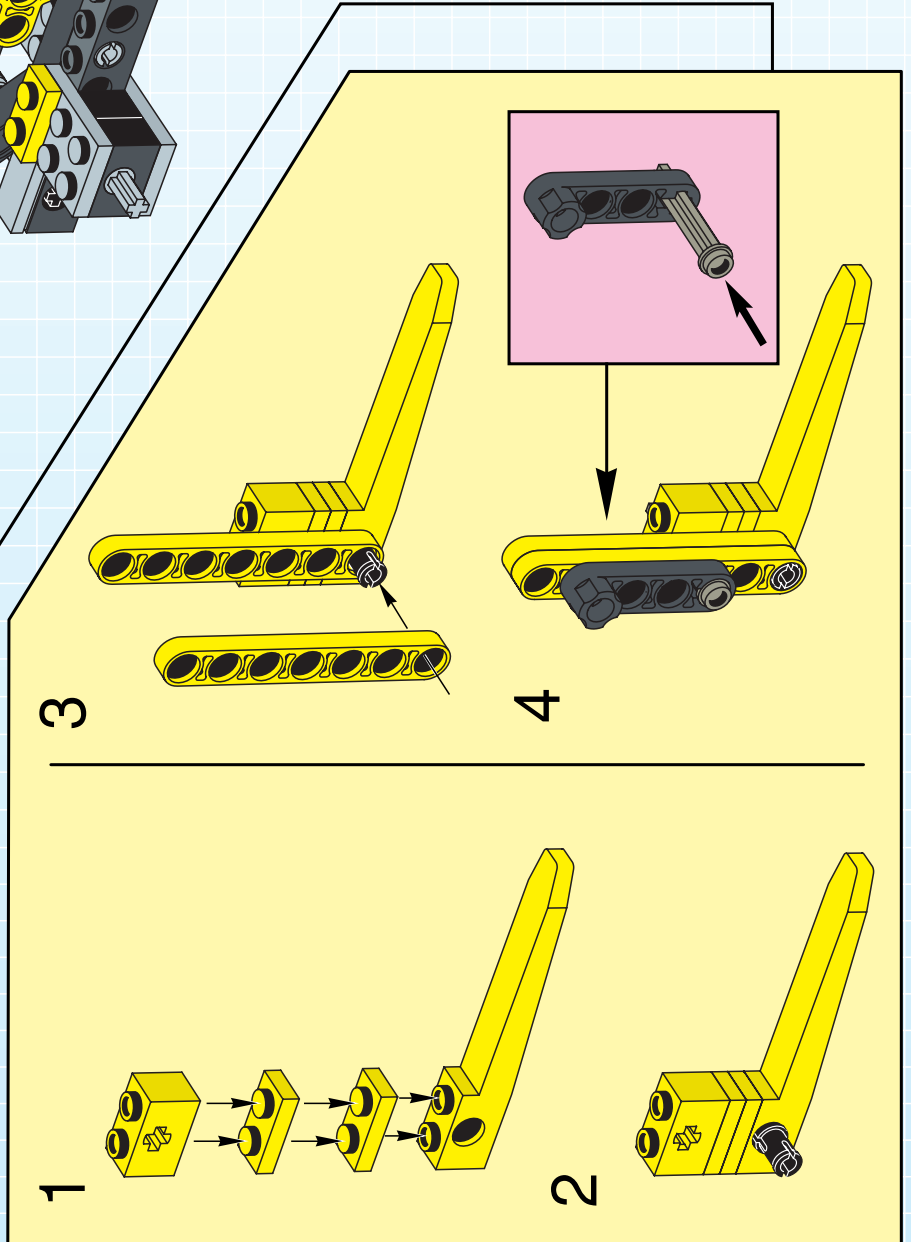


10

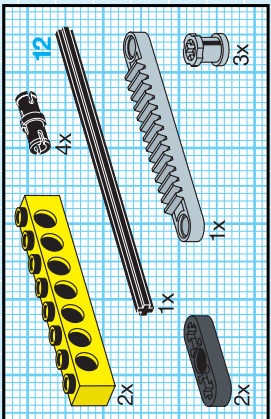




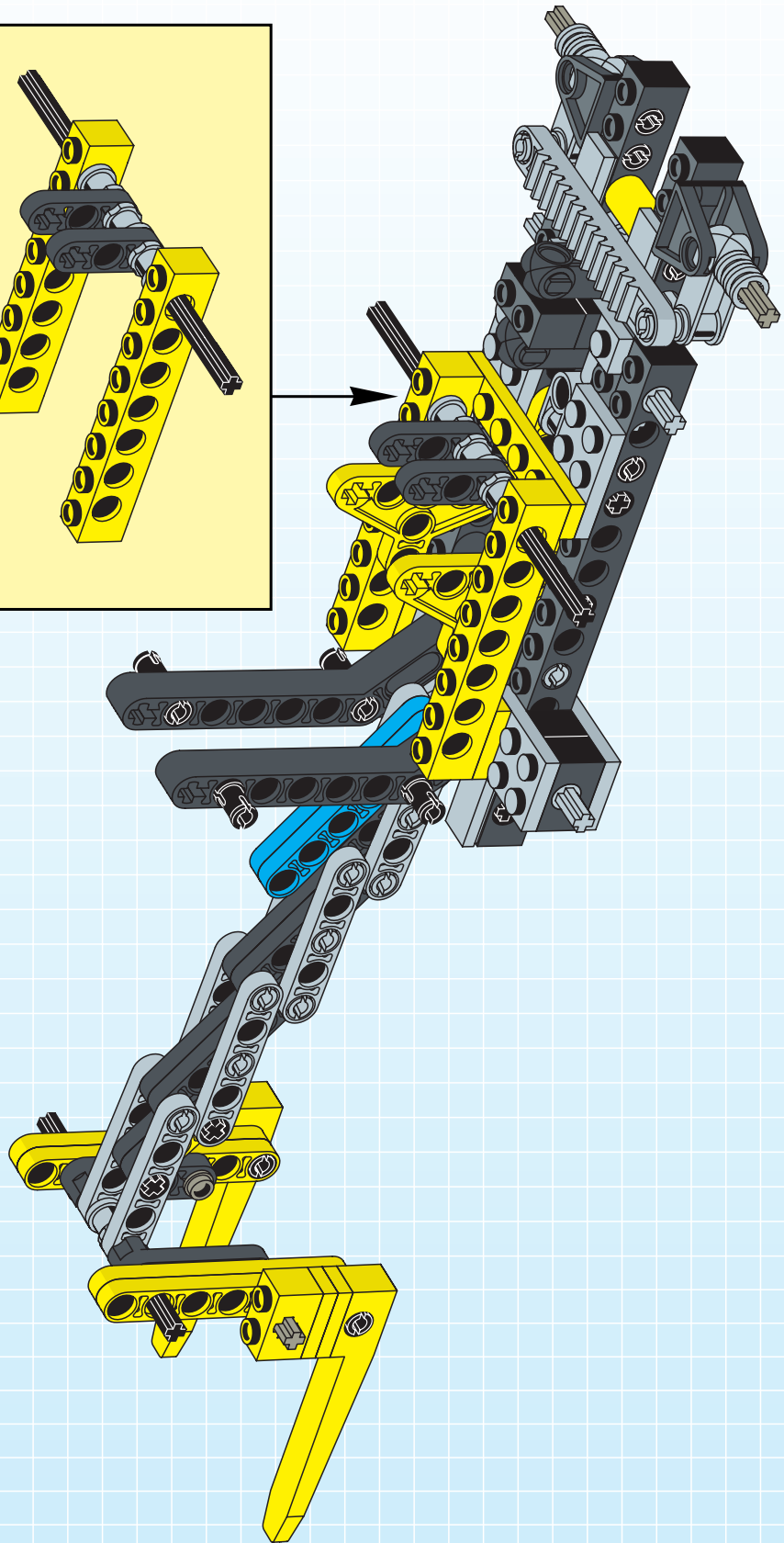
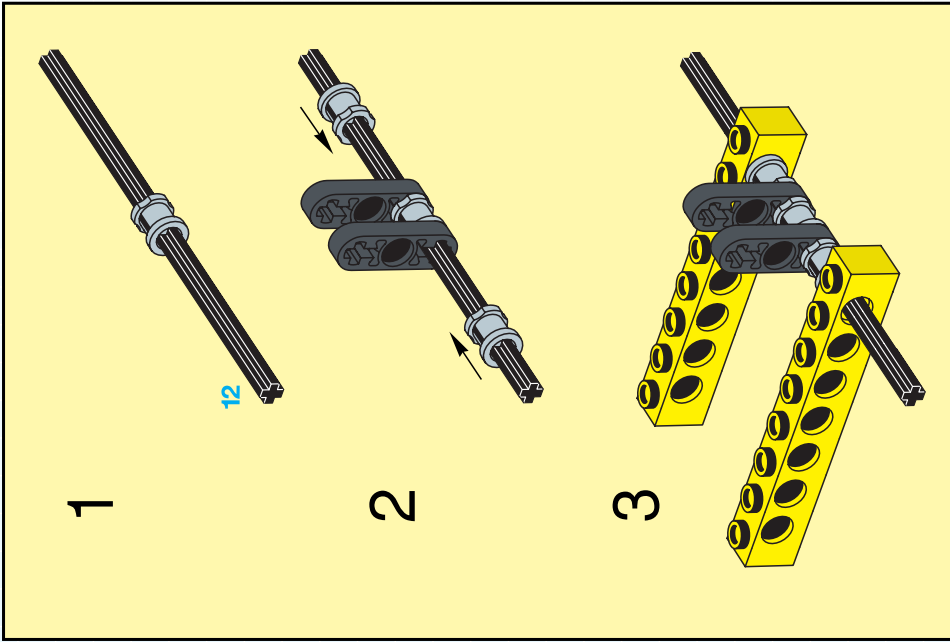
**11**

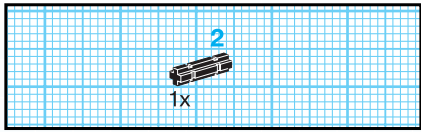




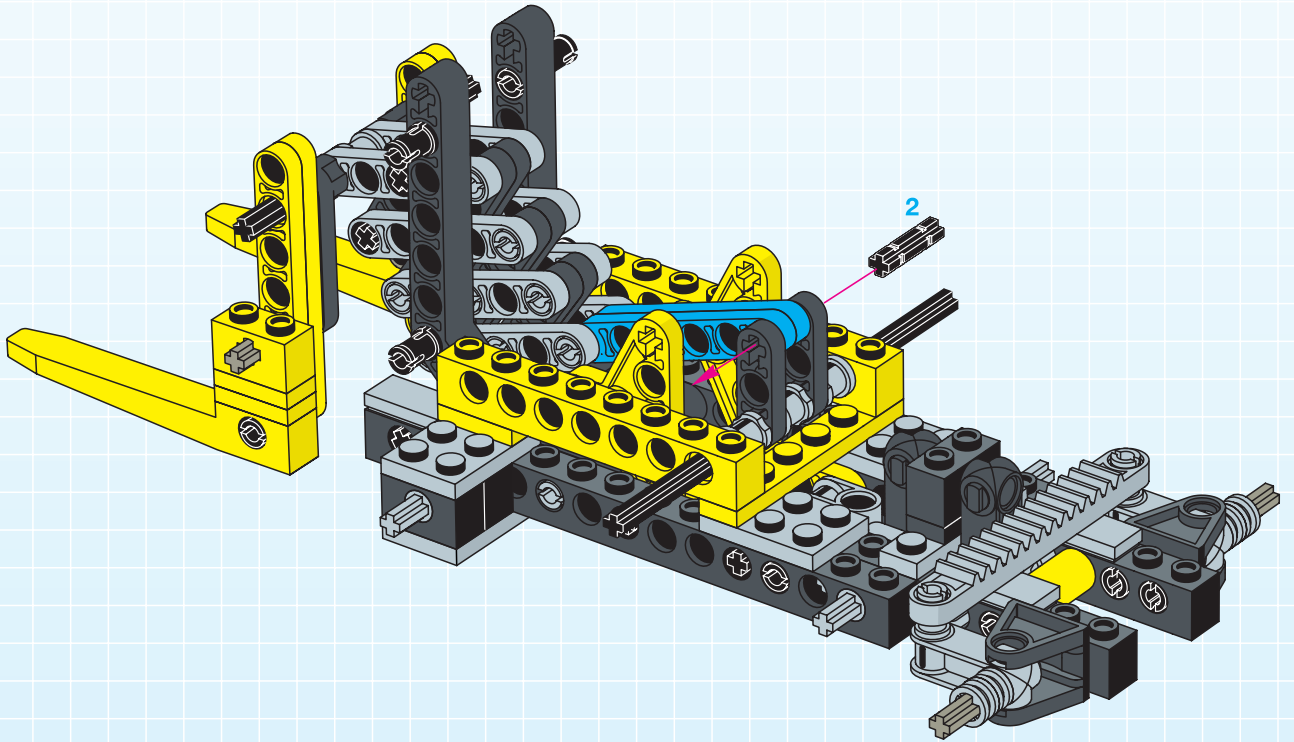


12

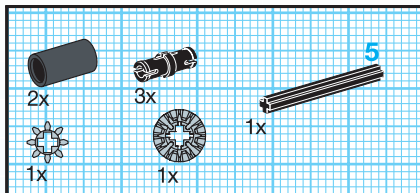




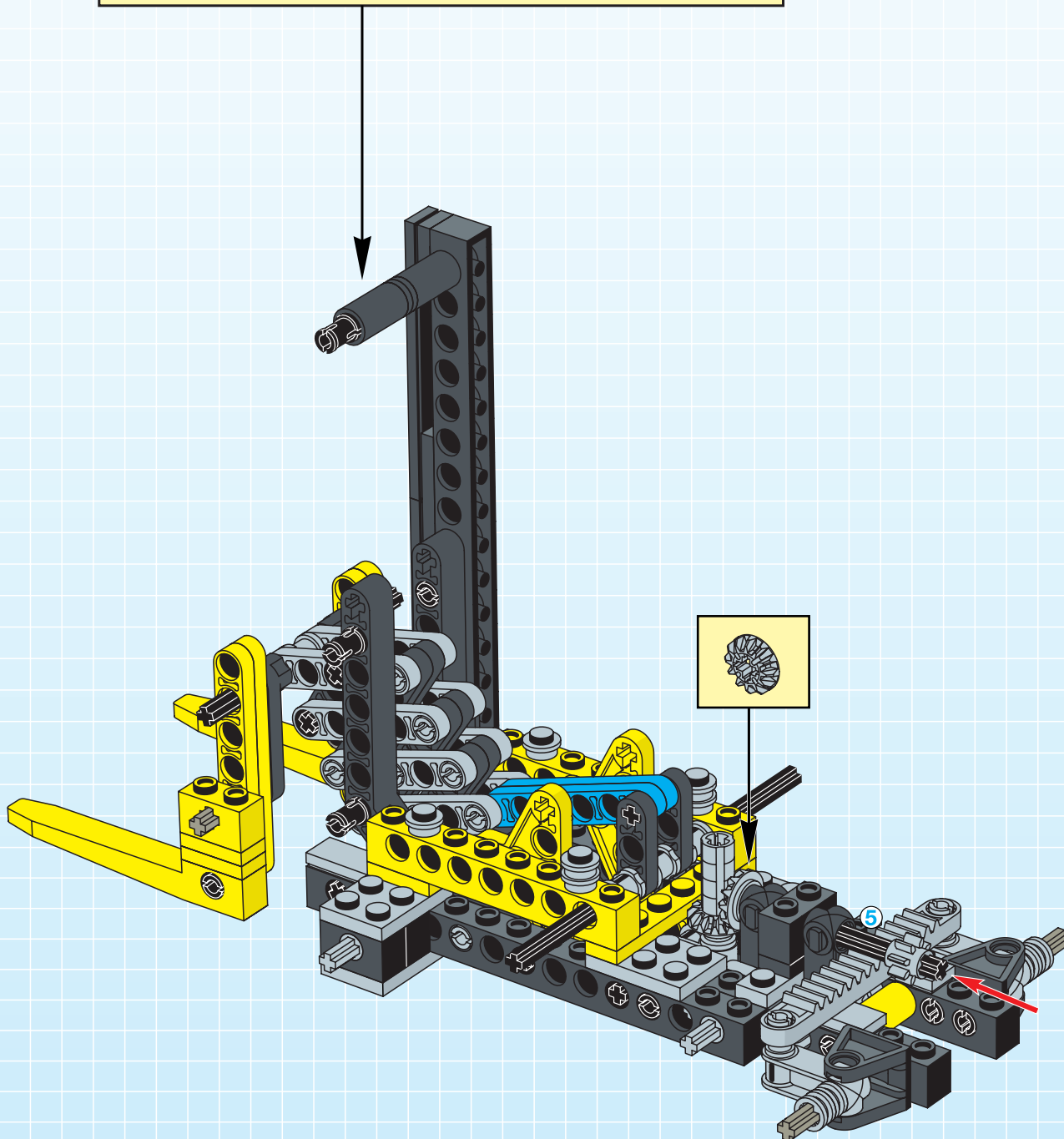
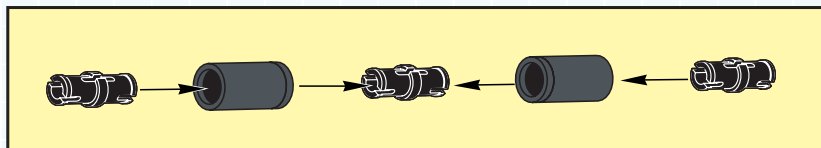
13



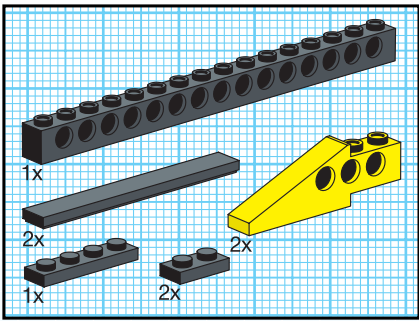




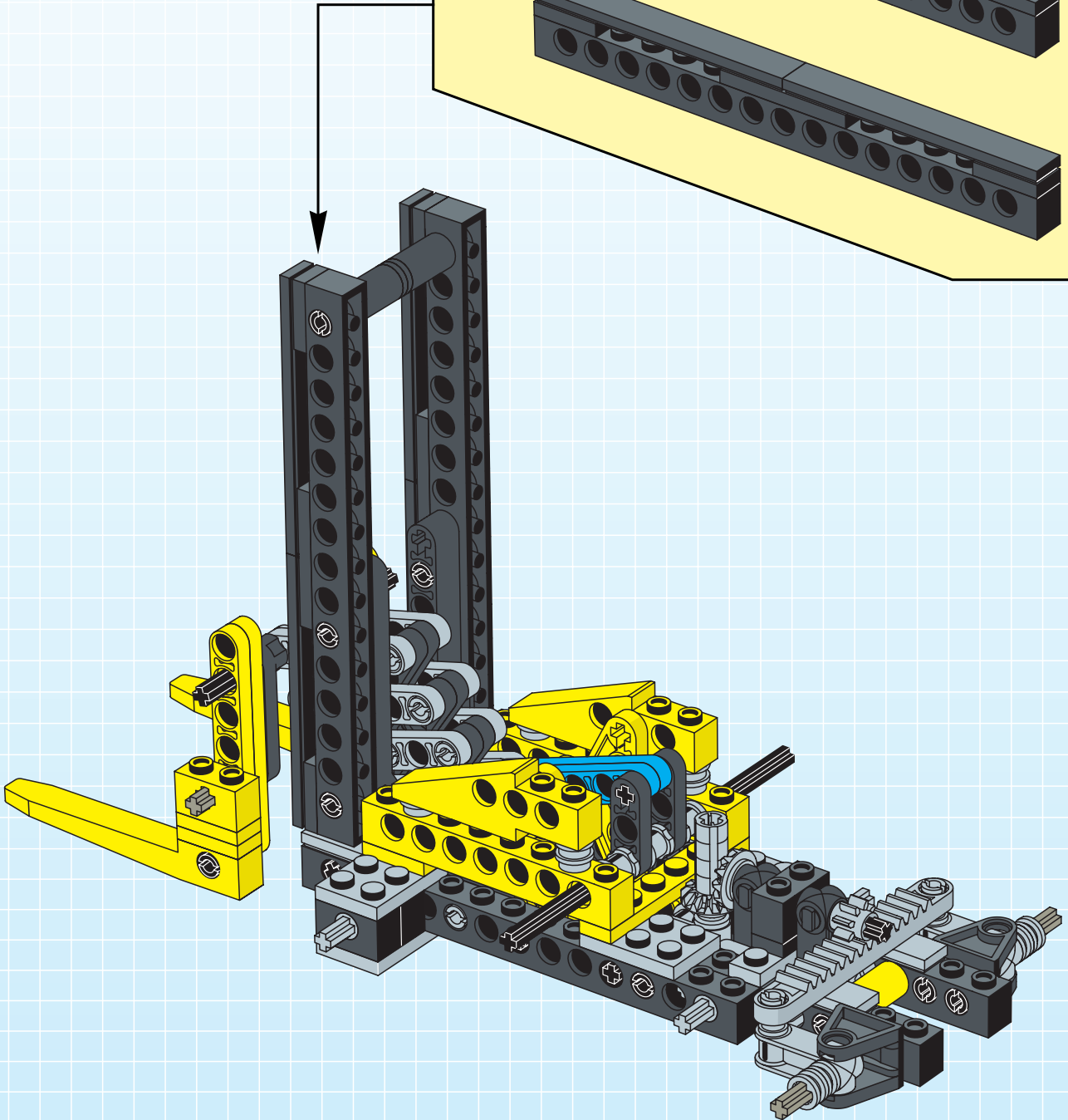
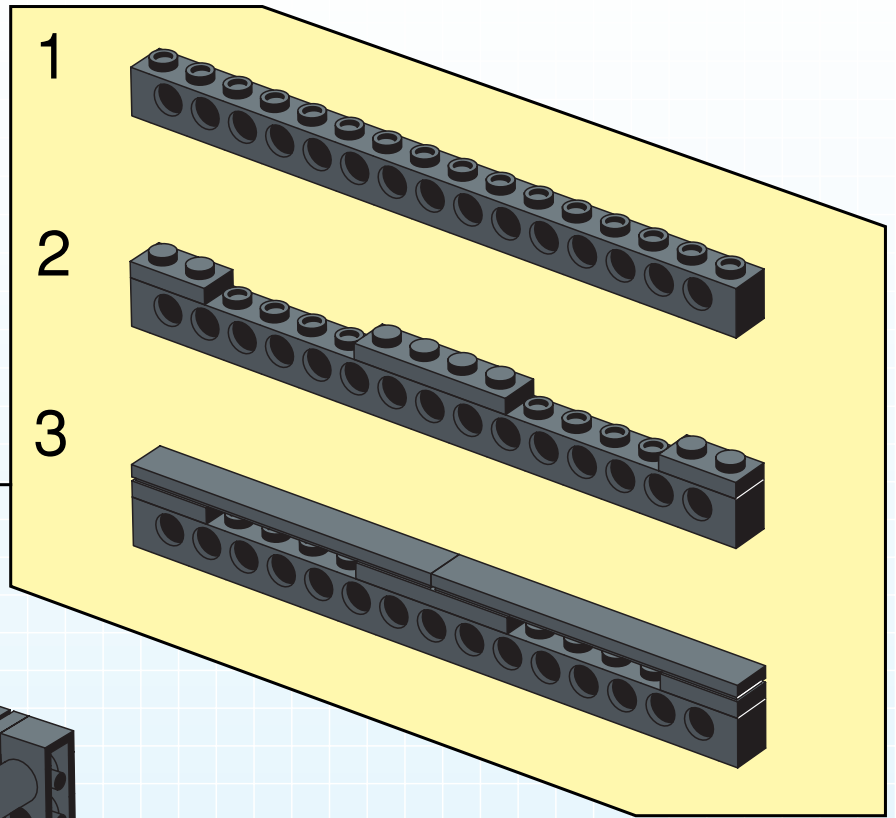
15

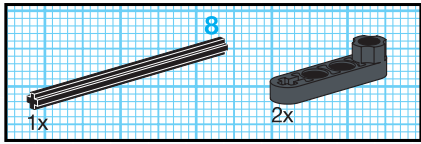




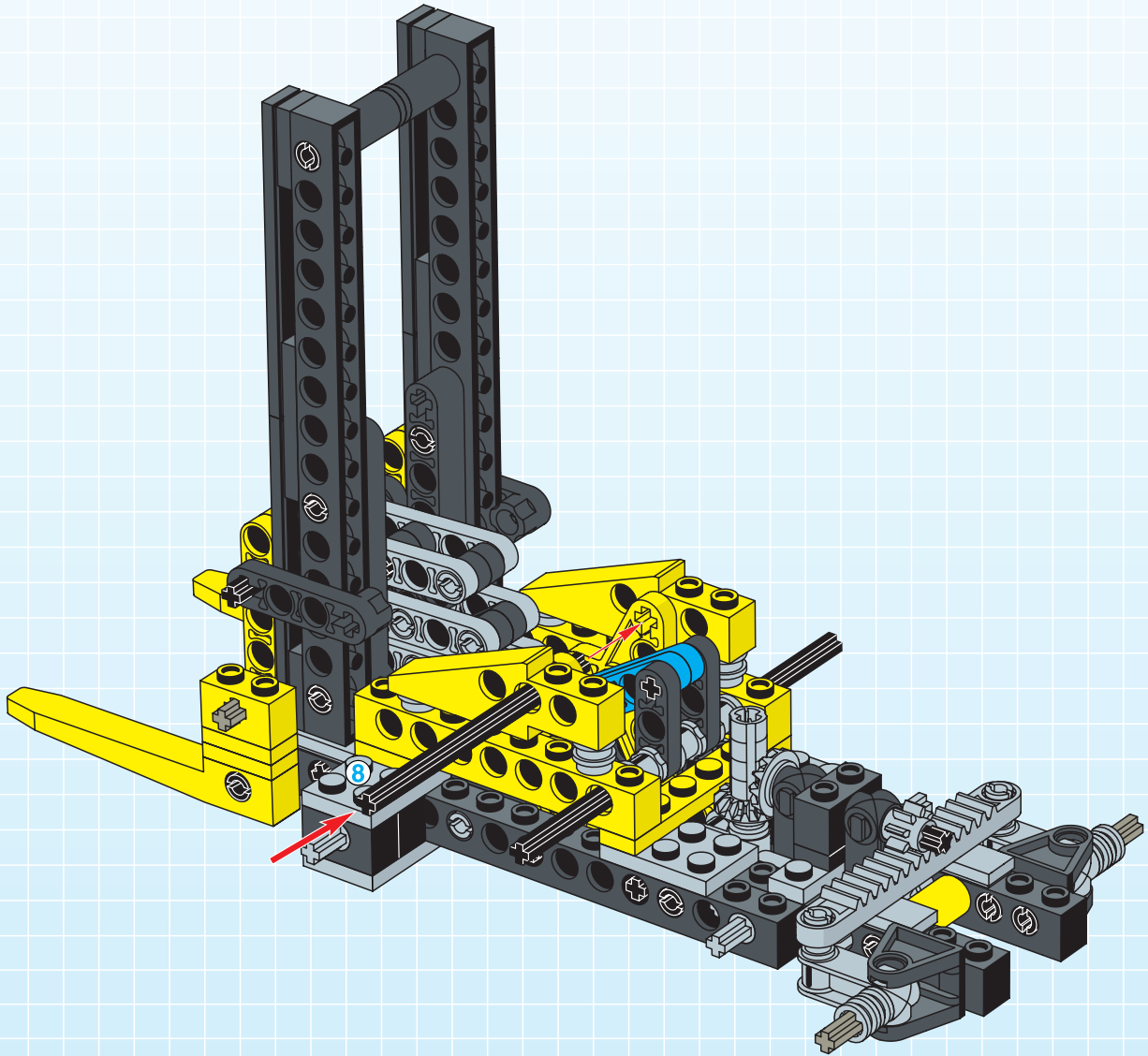


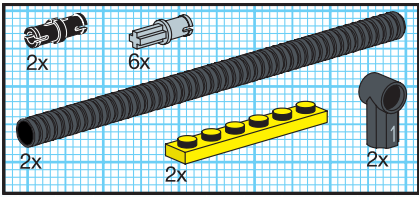
16



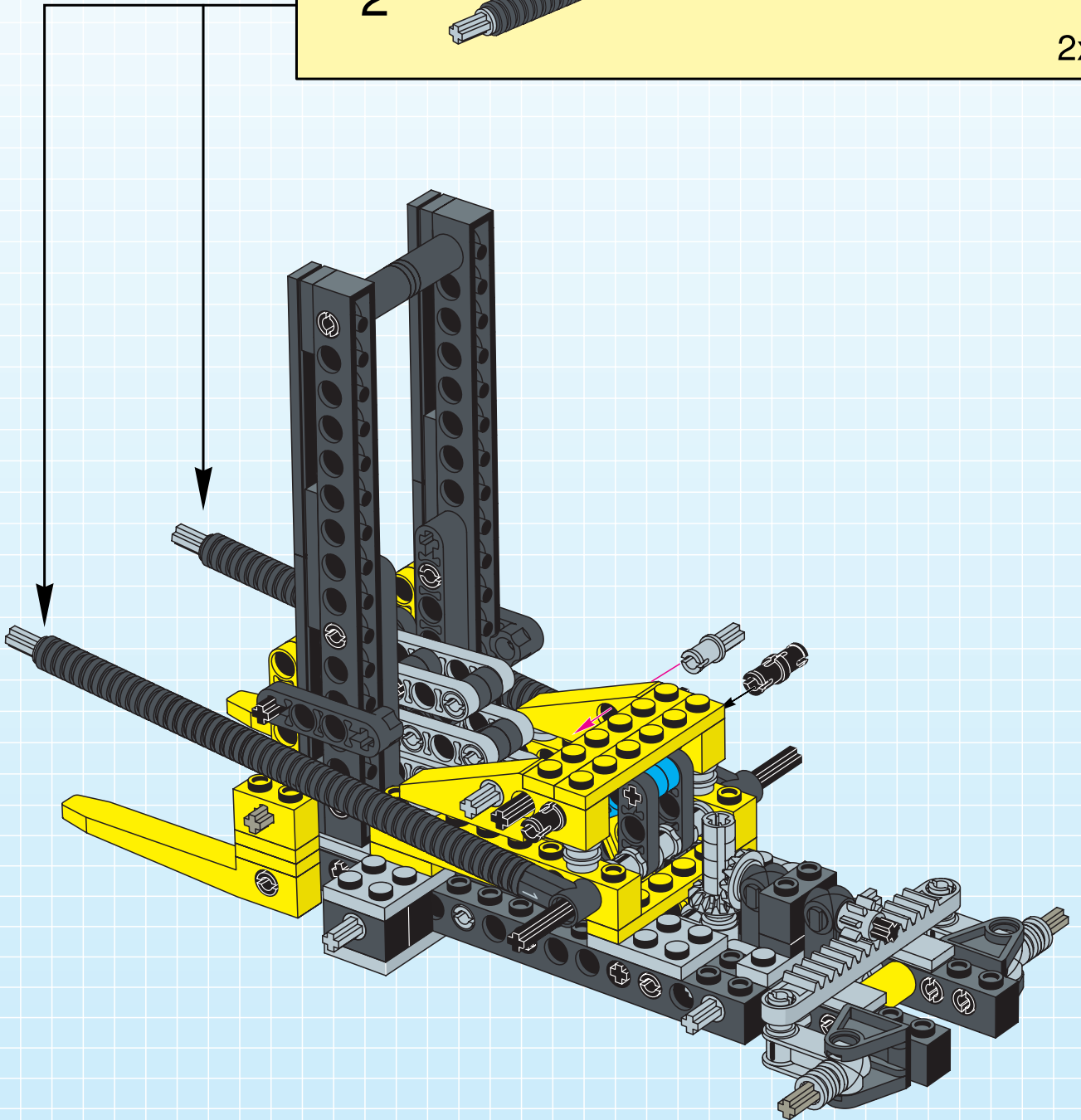
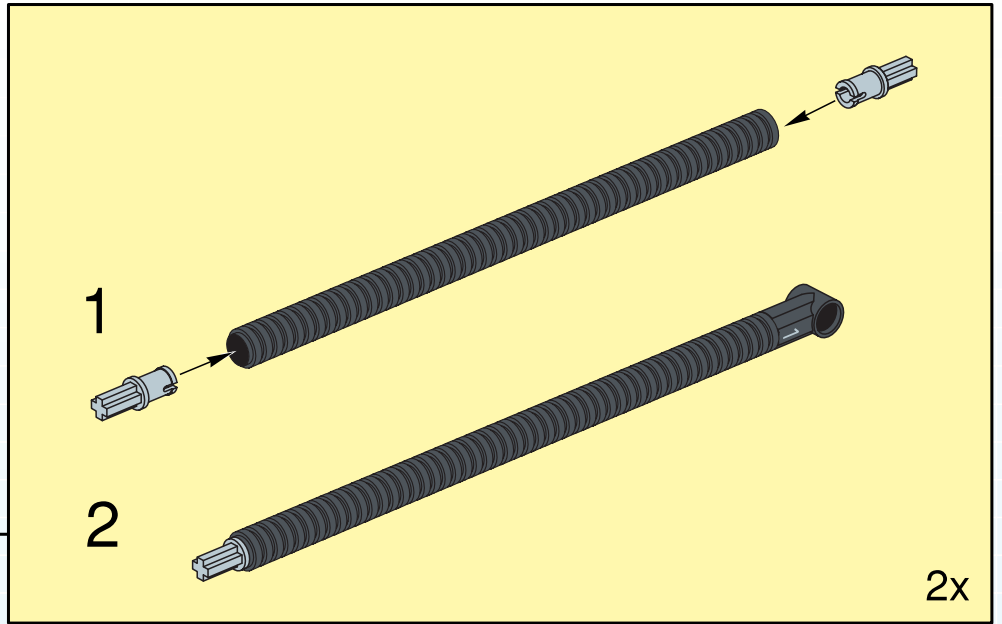


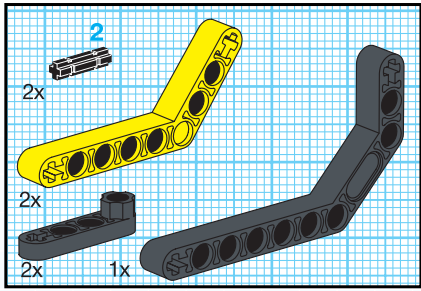
17



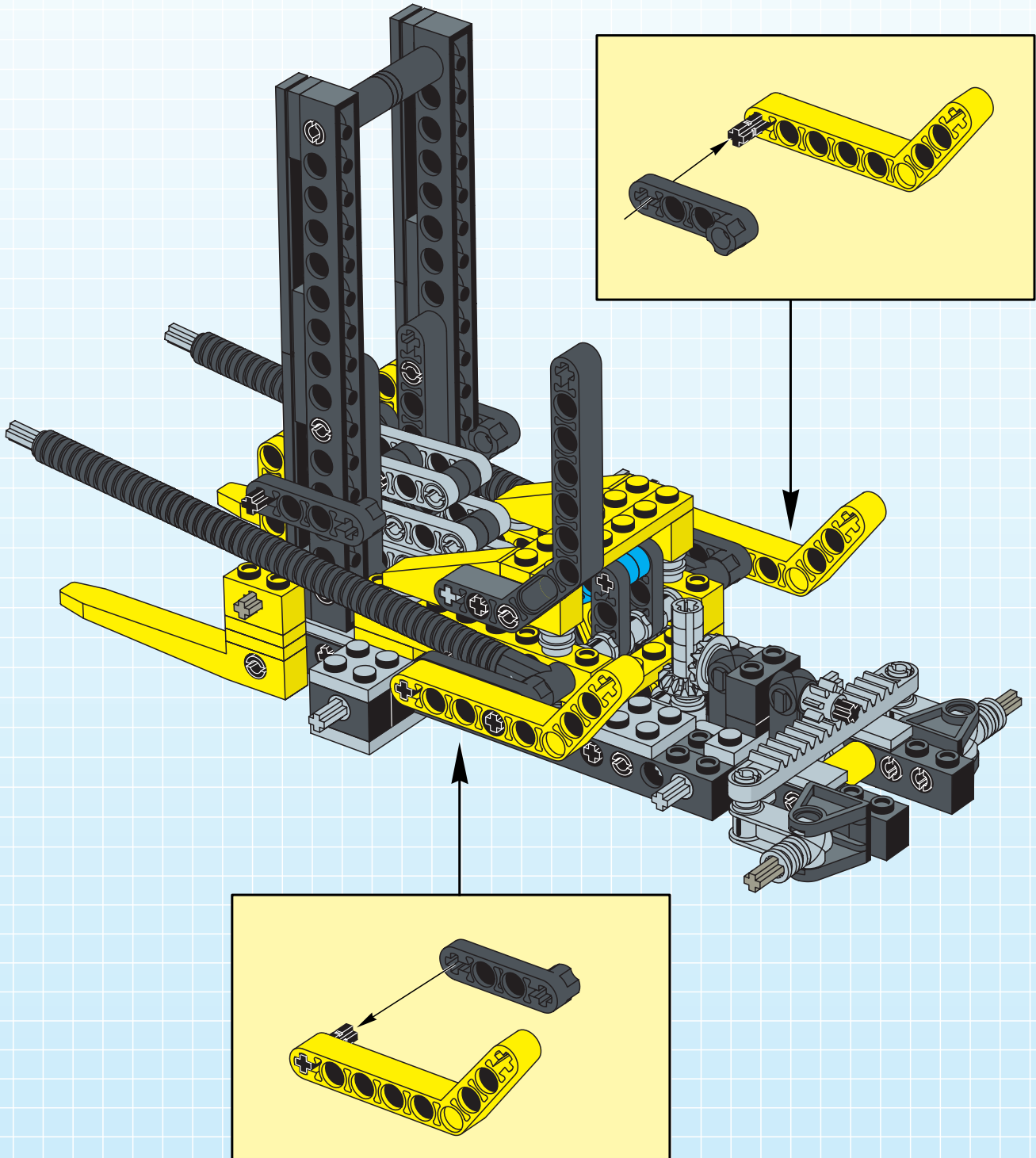


18



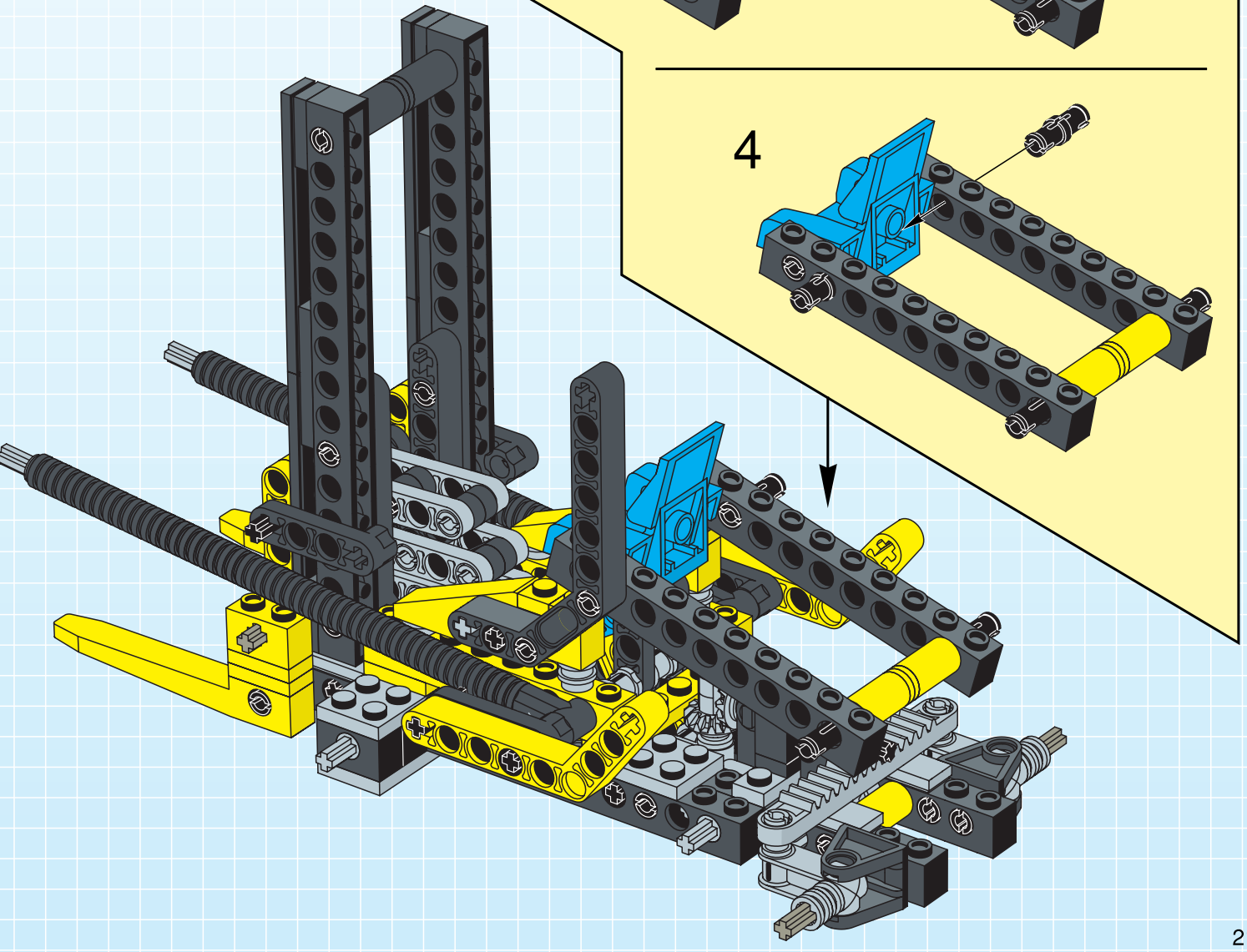
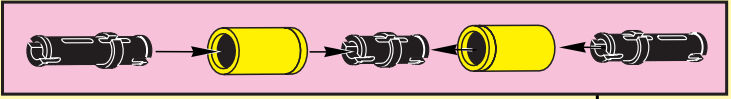
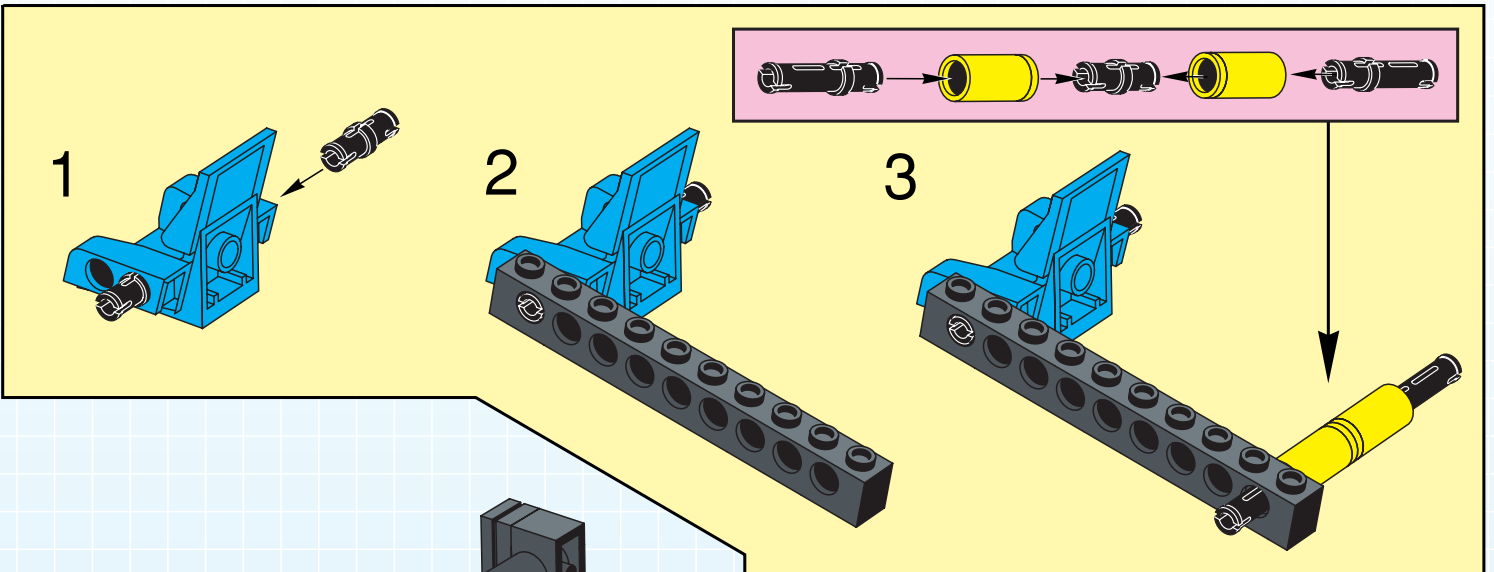
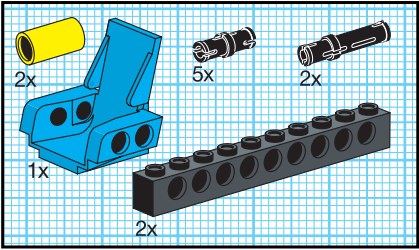


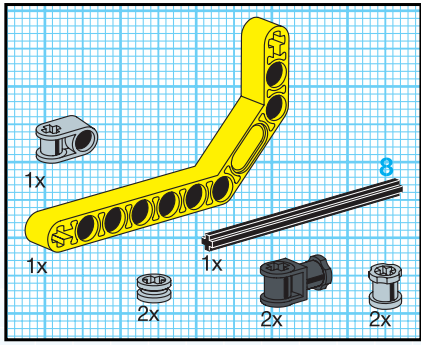
19



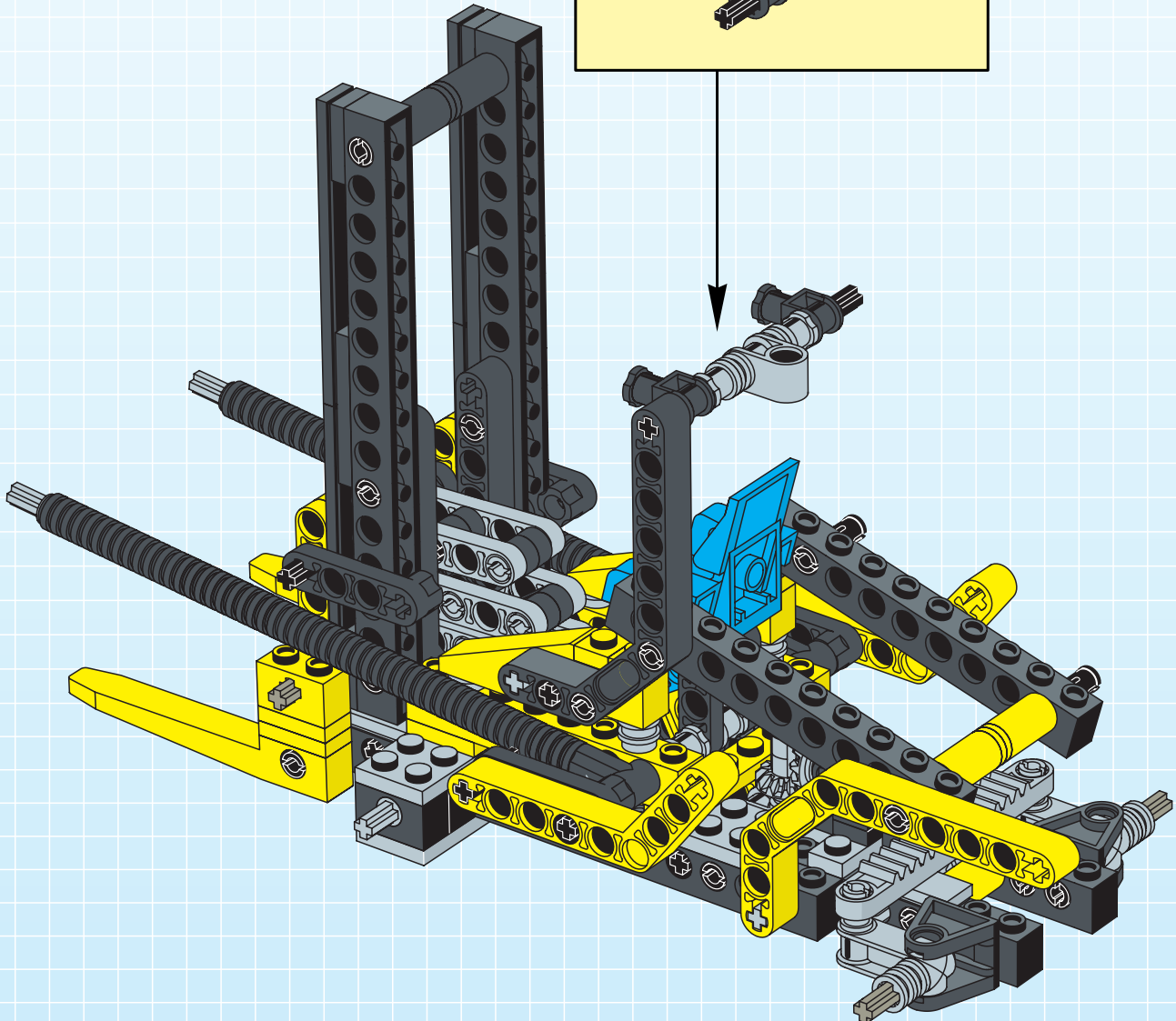
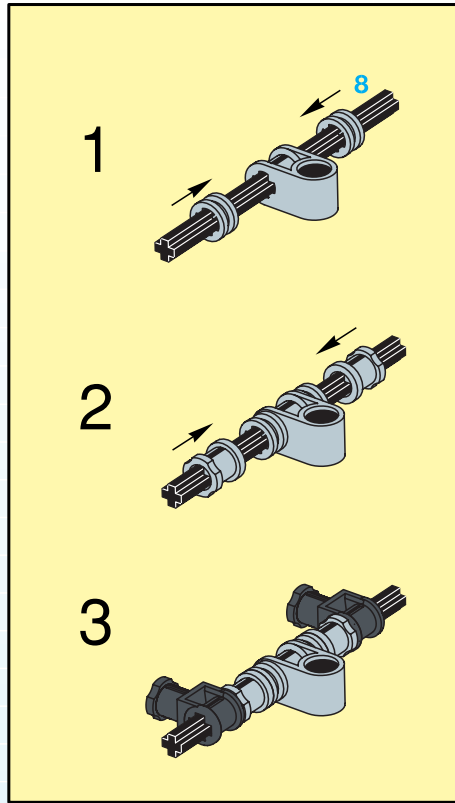


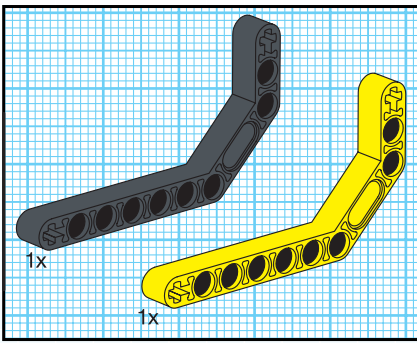
# 20



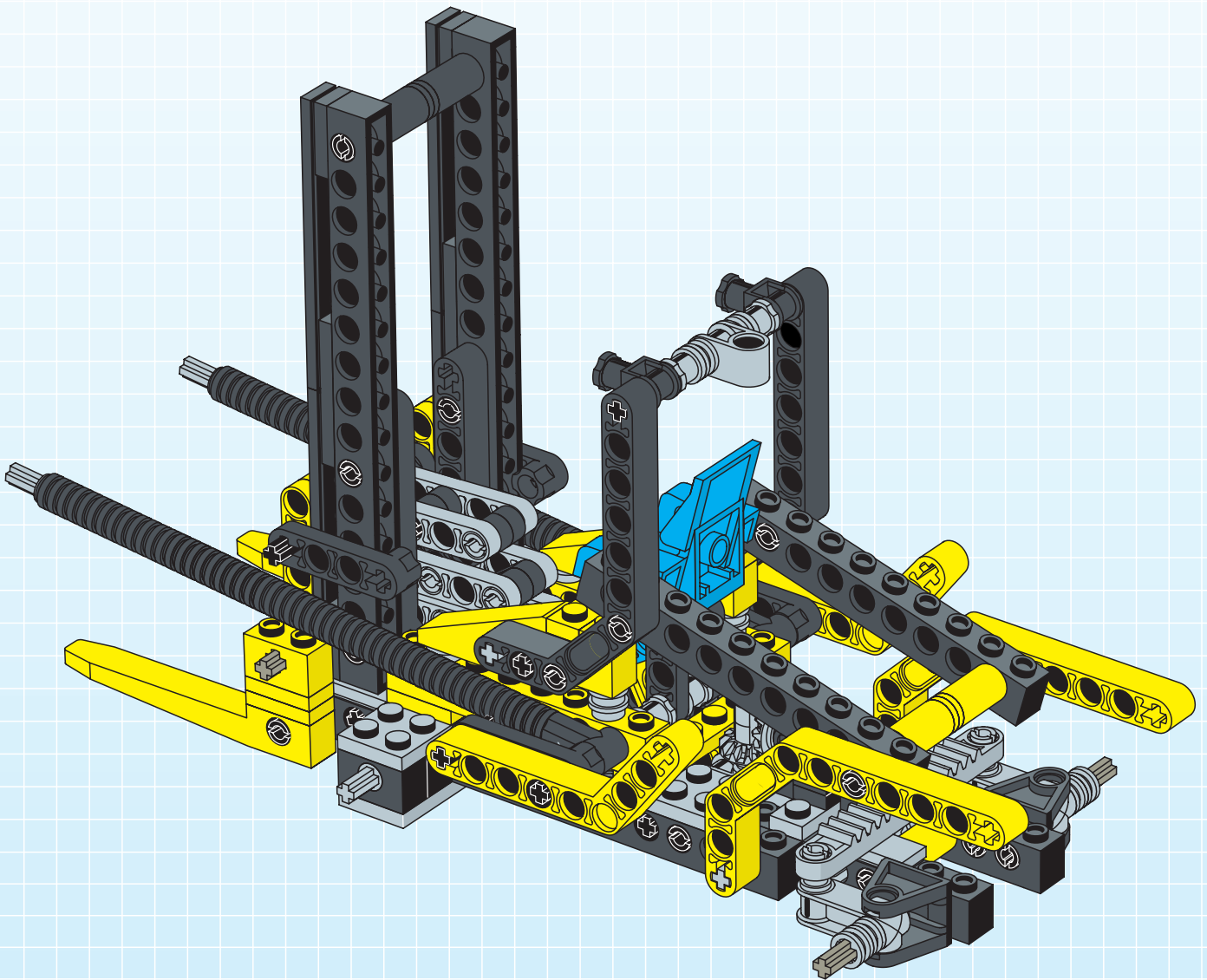


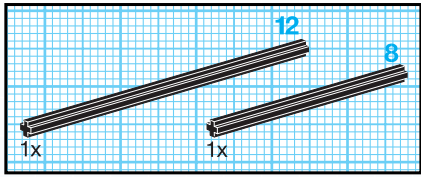
21



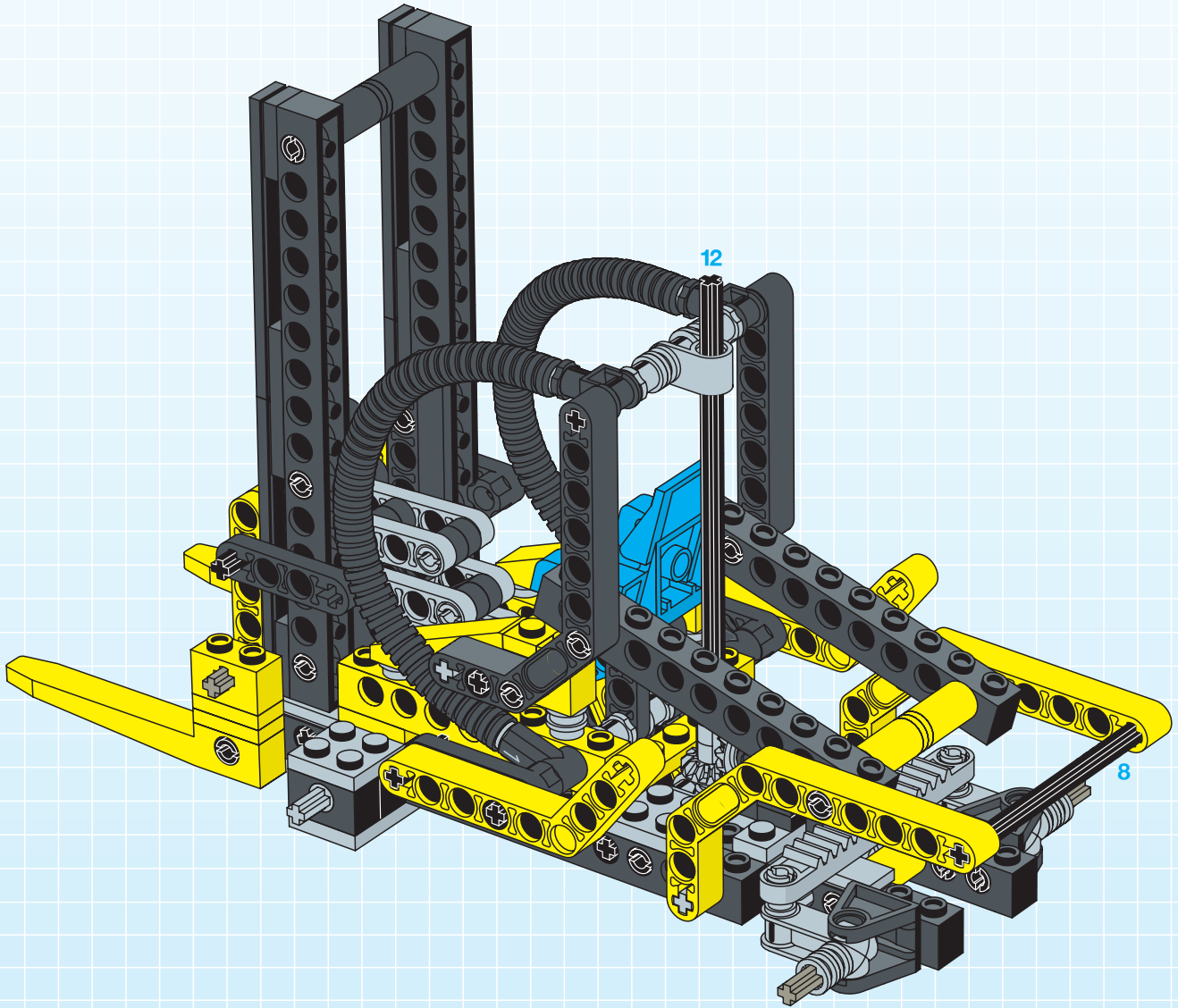


22

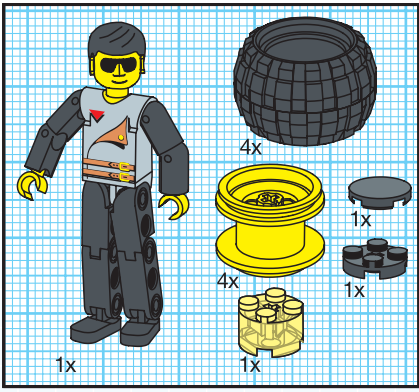




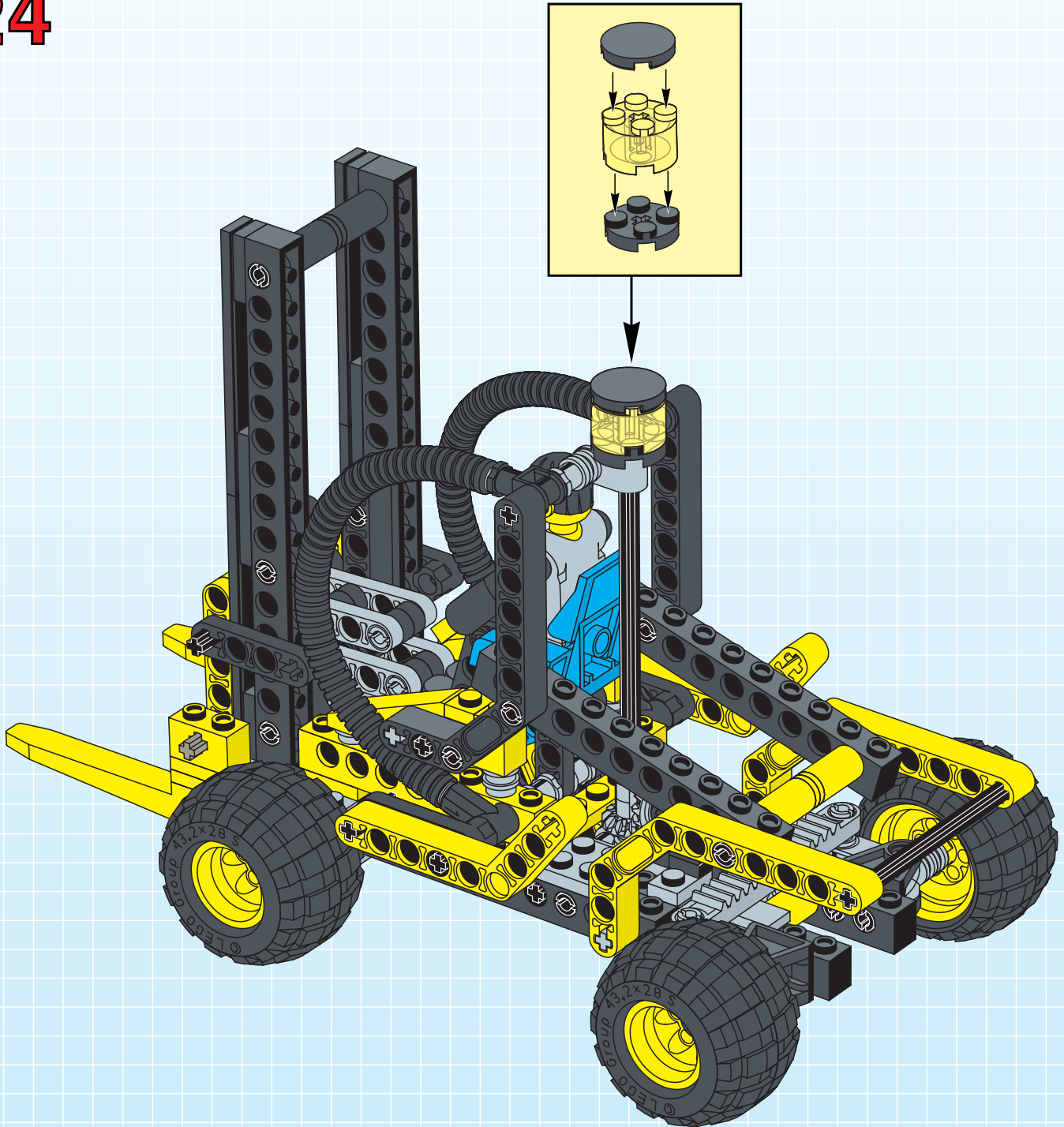
23

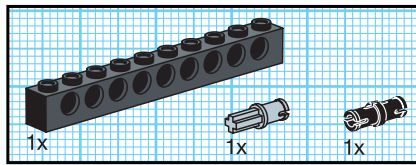
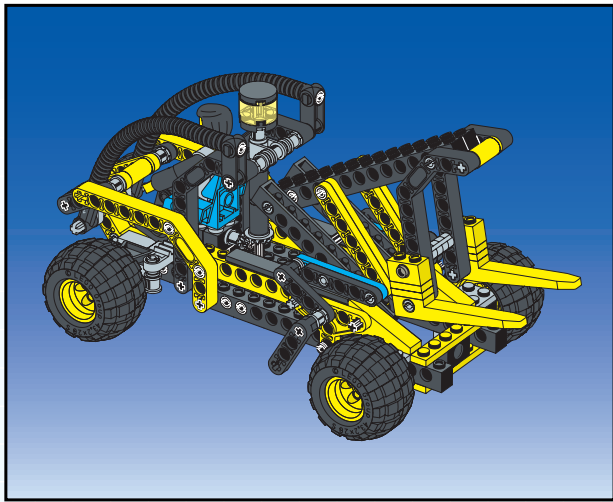




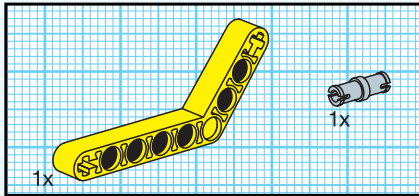
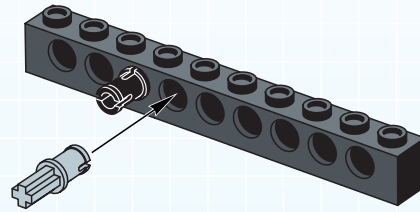


24

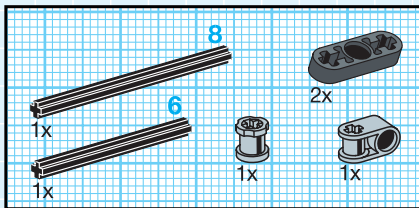
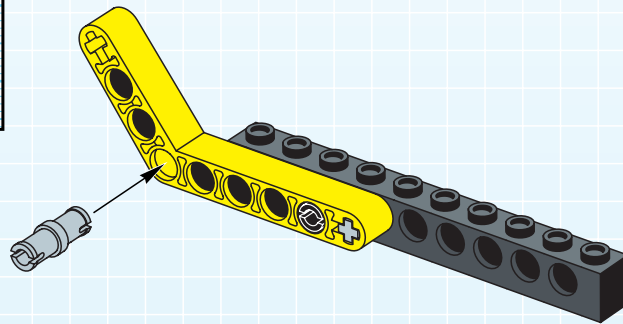




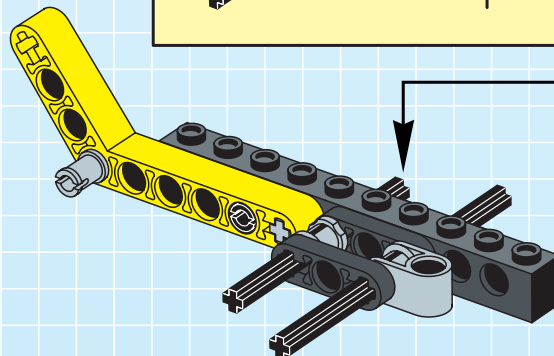
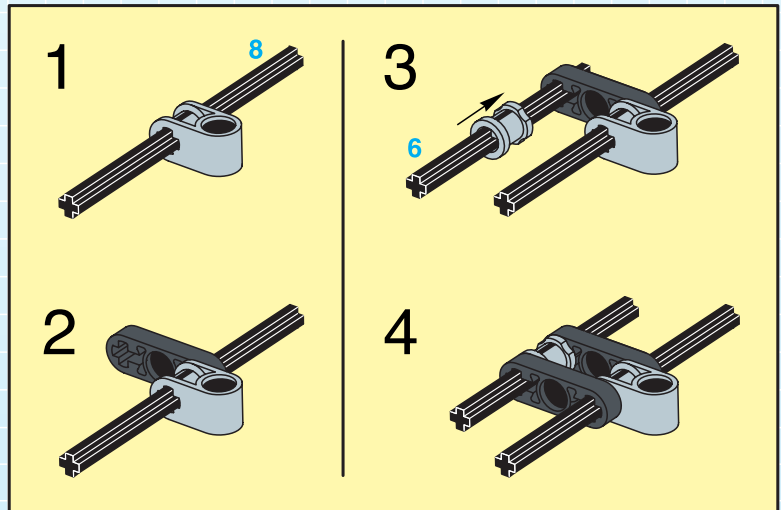
1

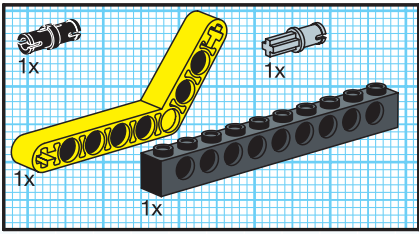


2

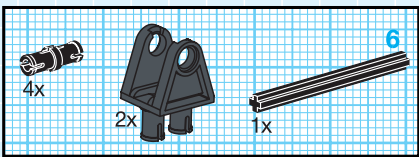
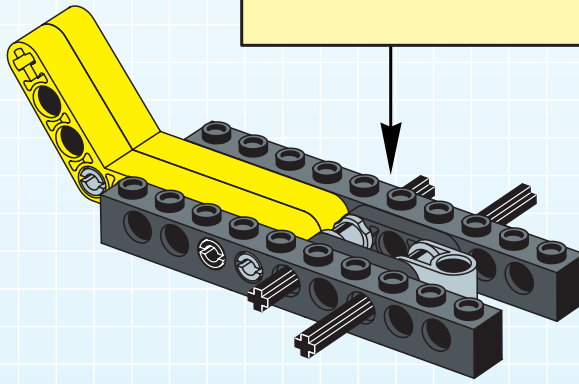
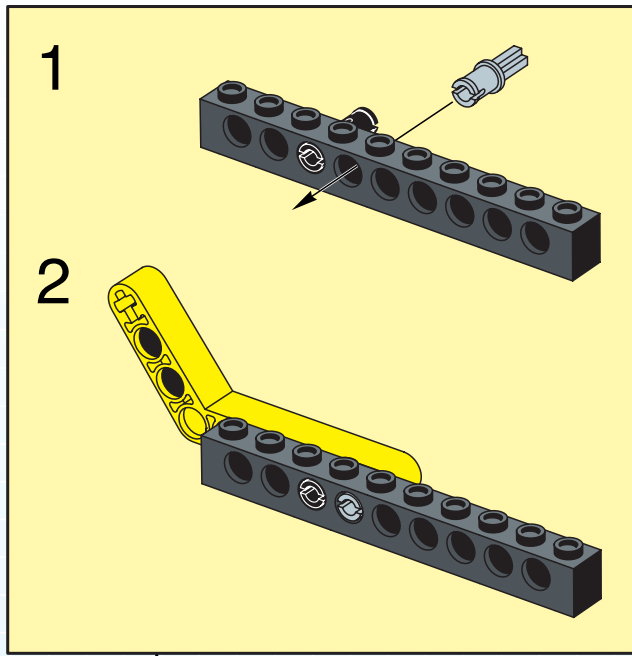


3

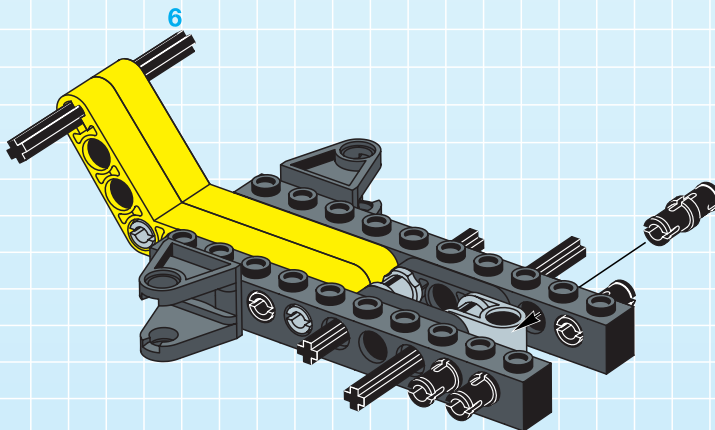


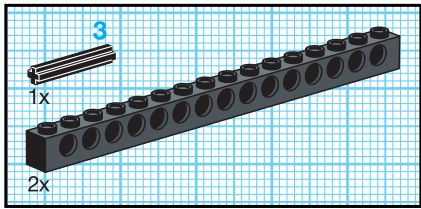


4

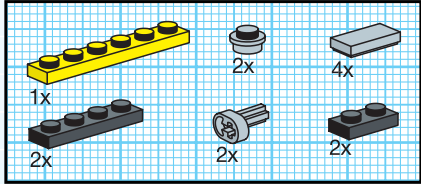
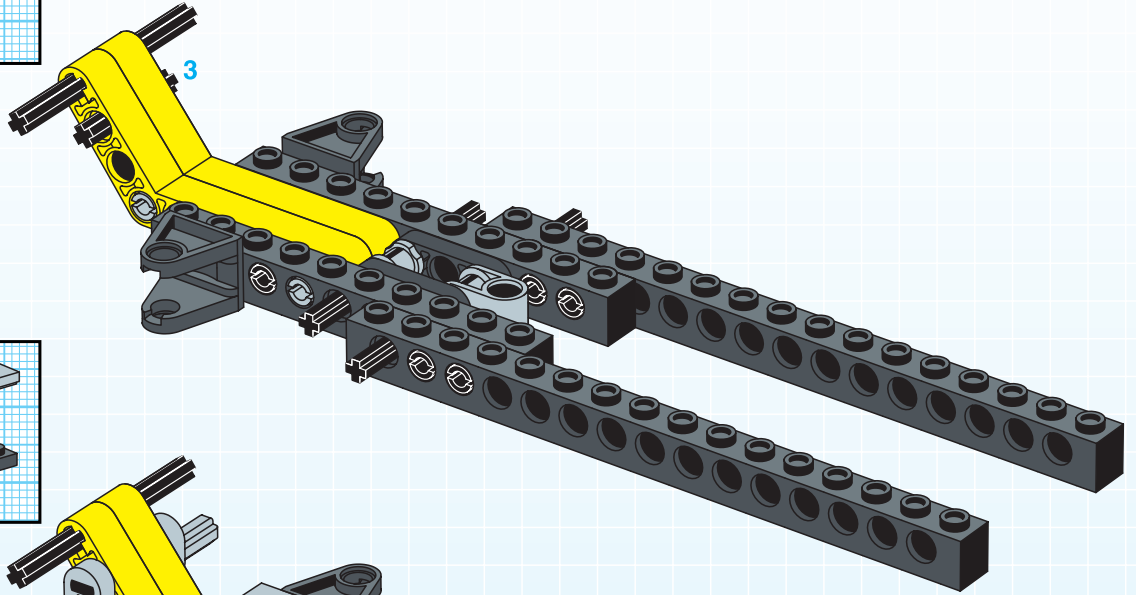


5

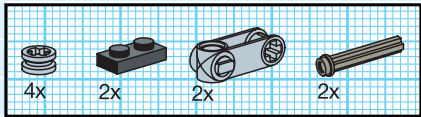
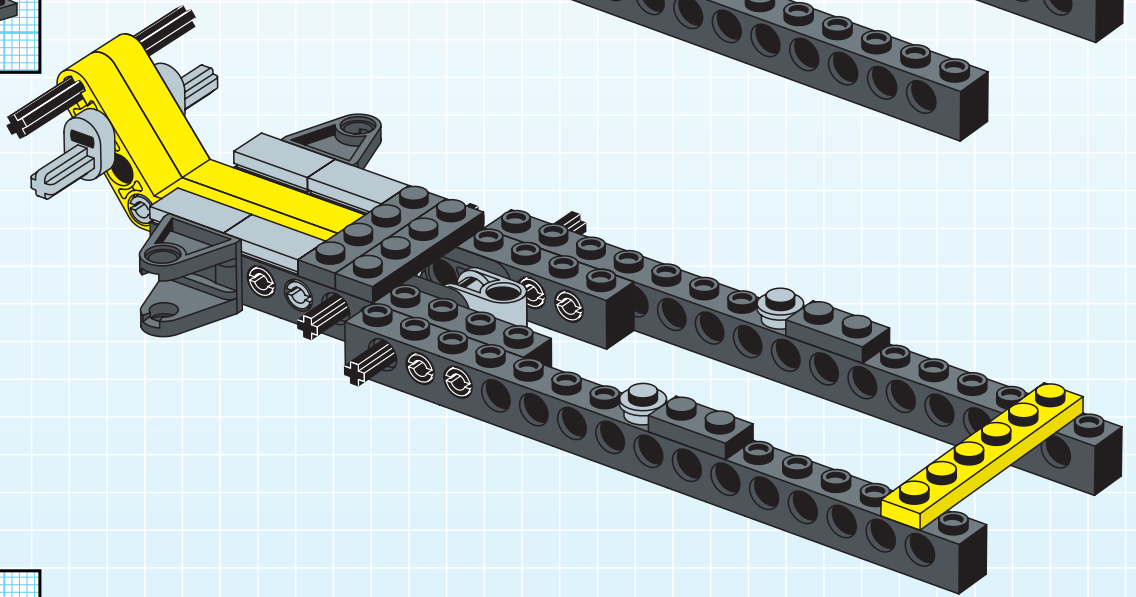




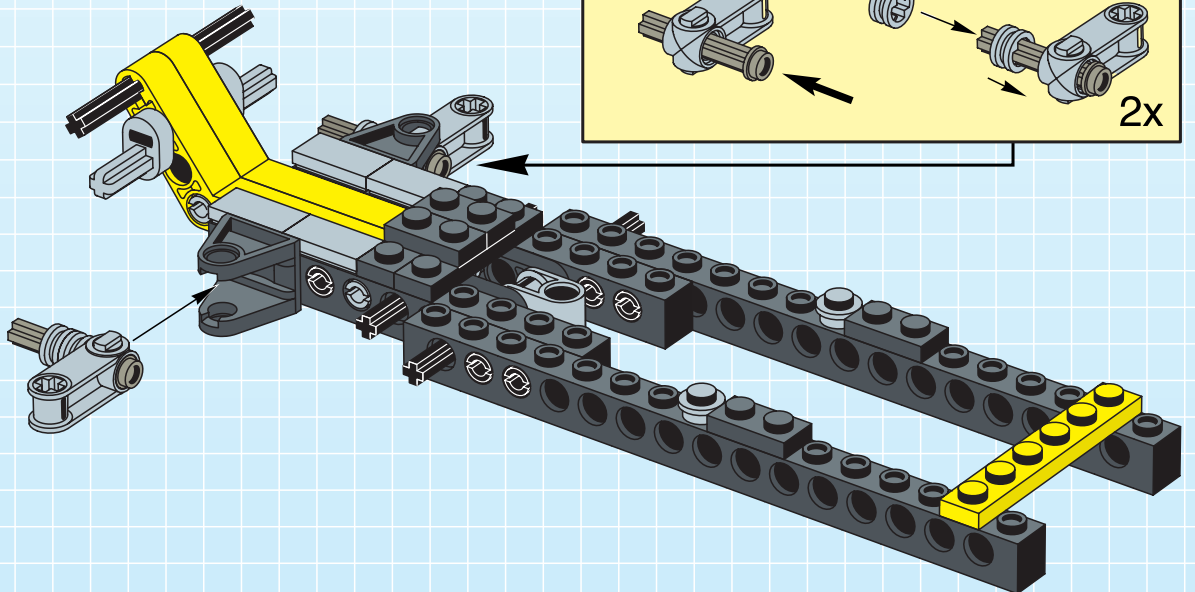
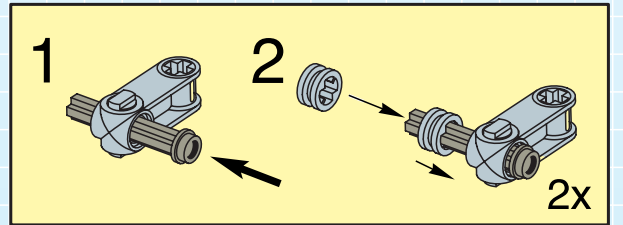
6



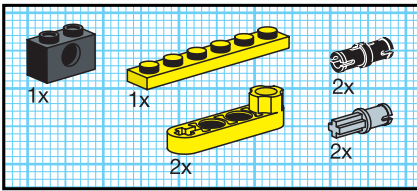
7



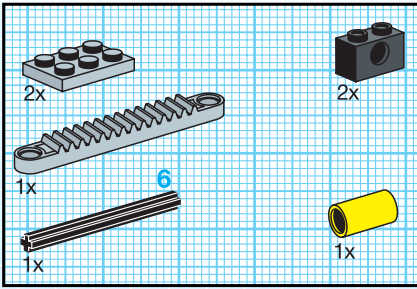
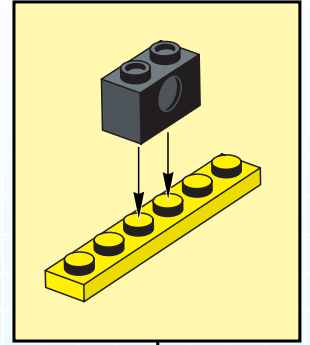
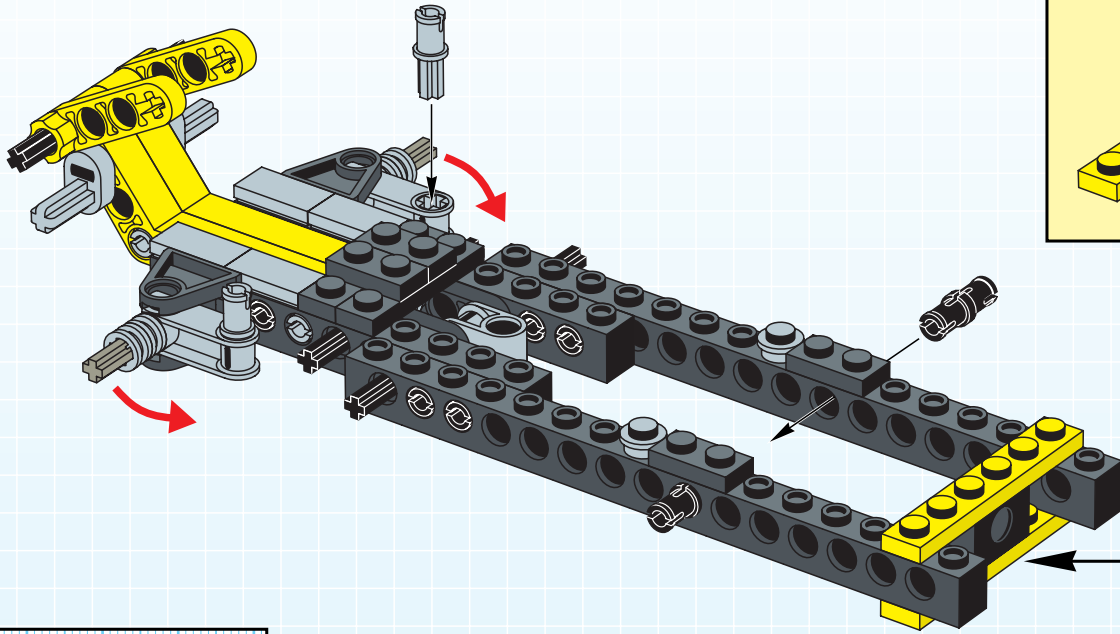
8



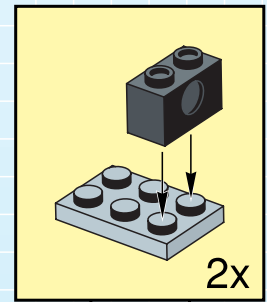
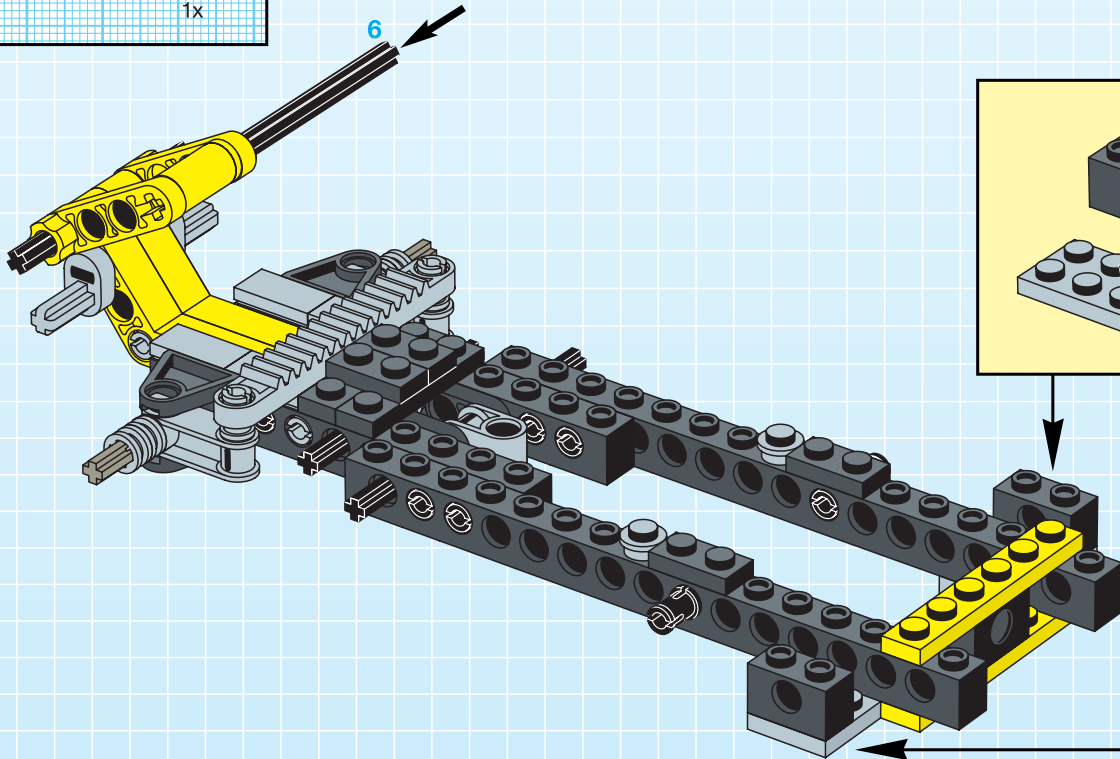


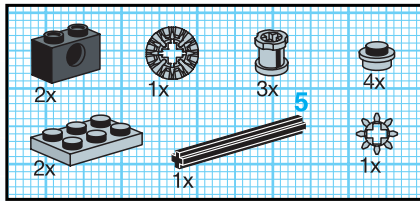


9

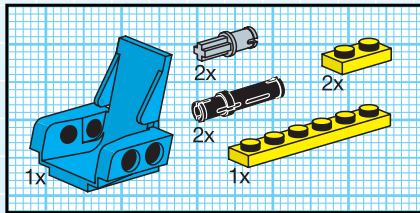
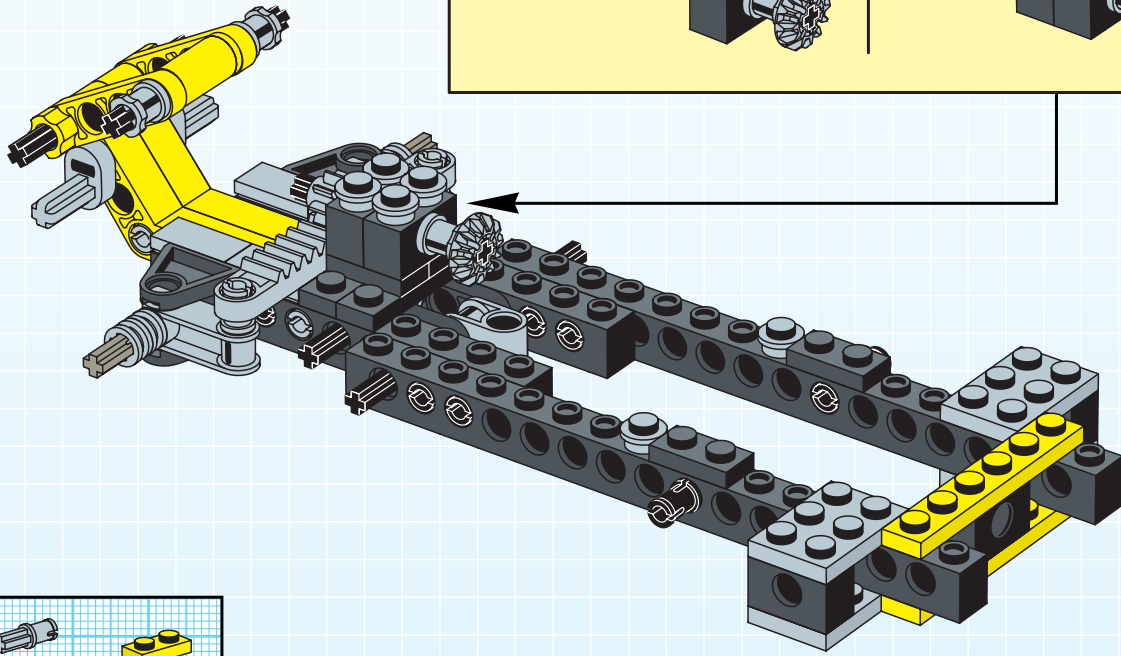
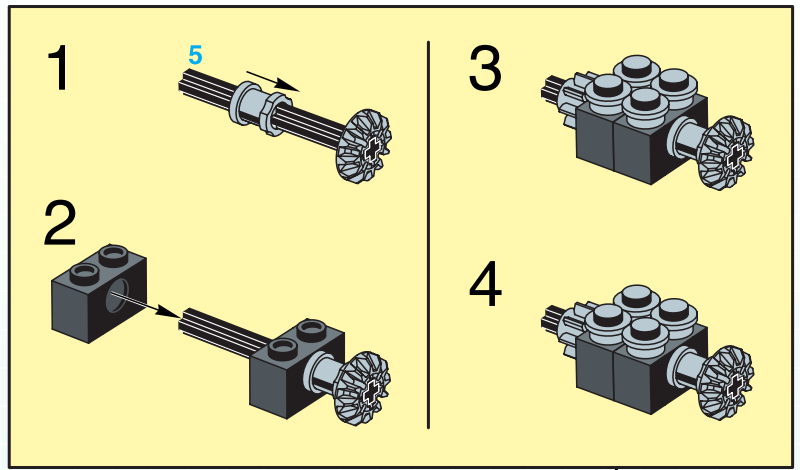


10

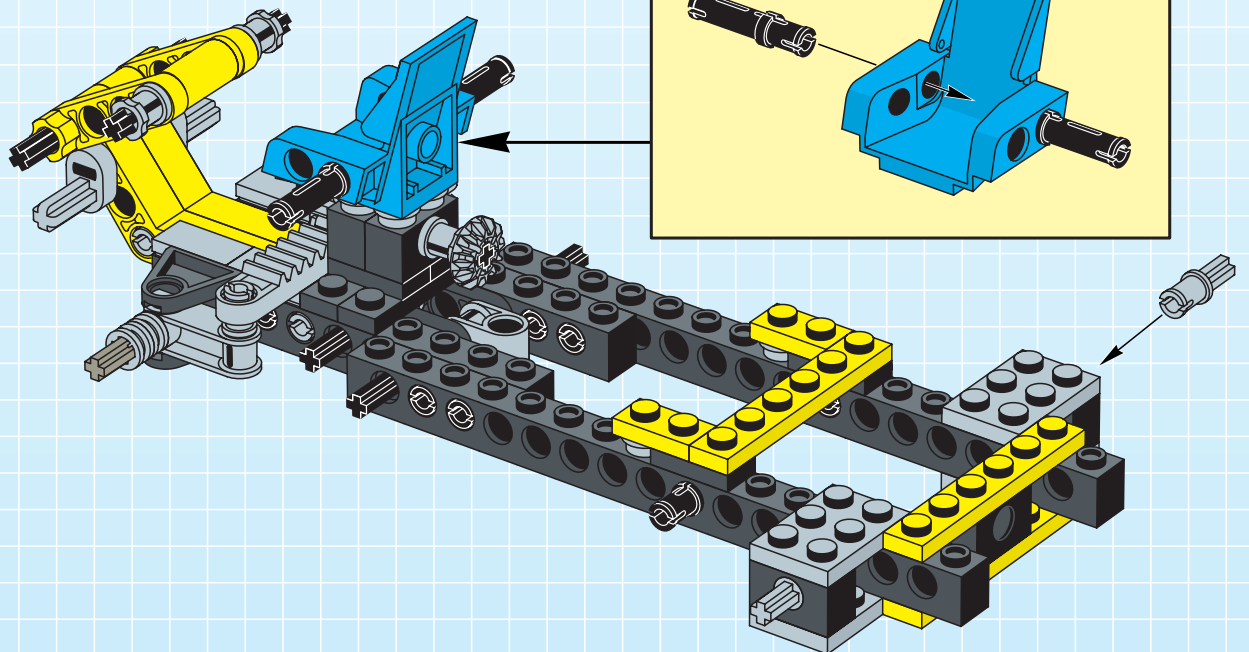
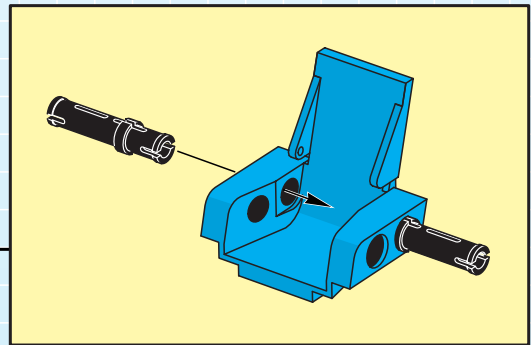


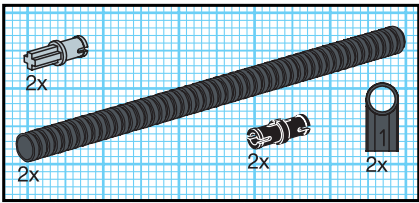


11

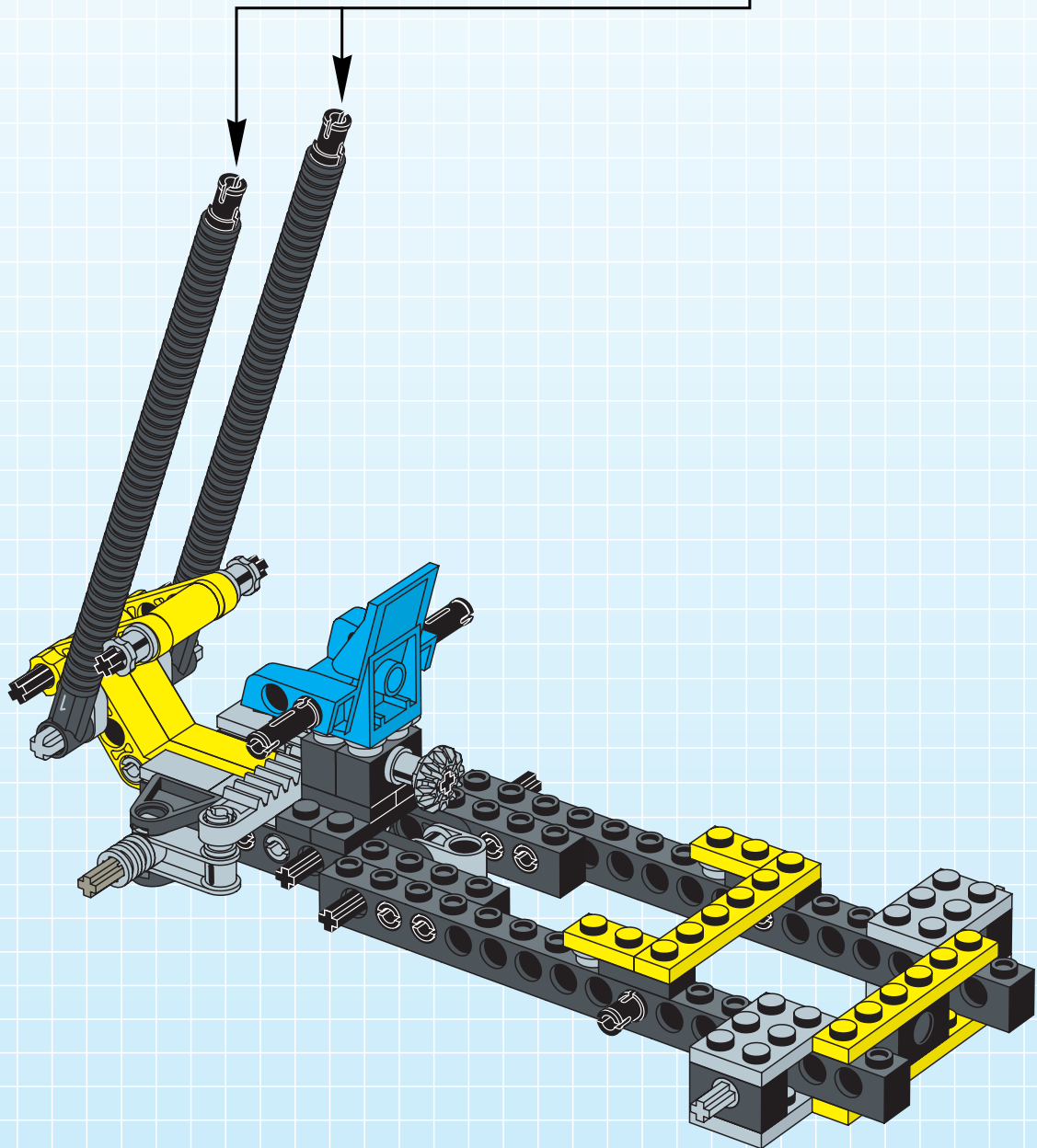
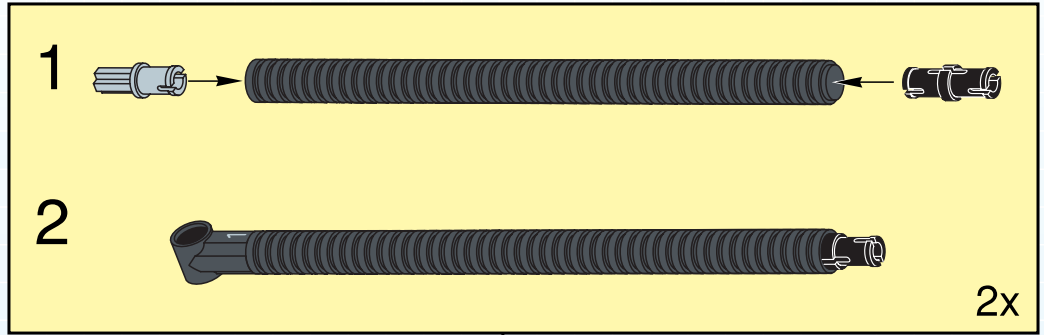


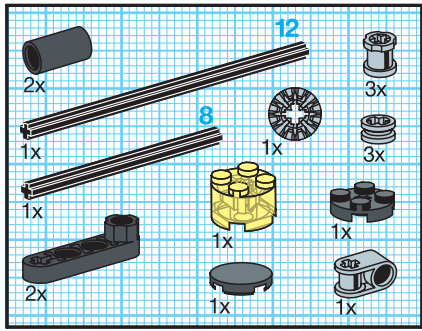
12



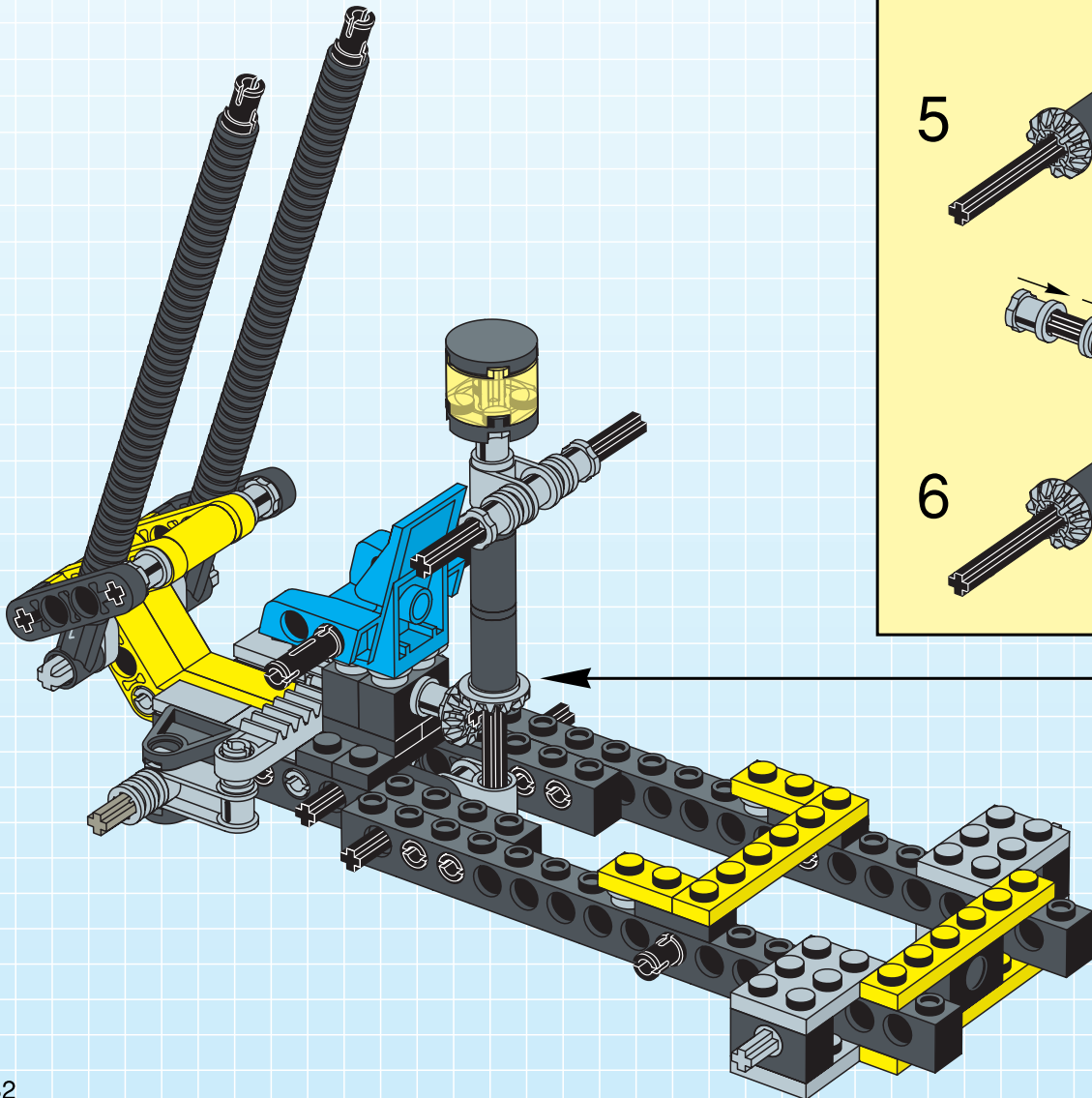
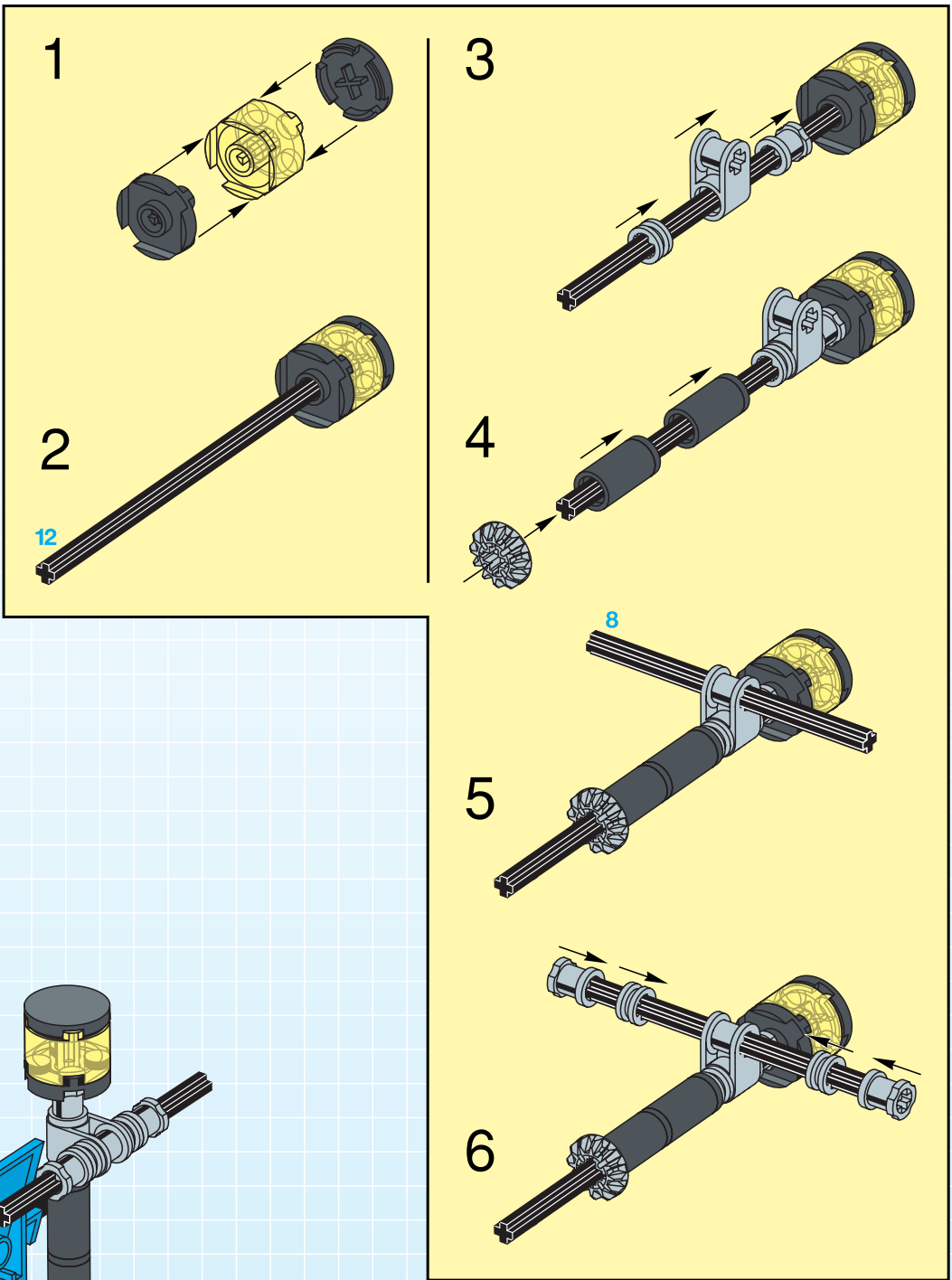


13

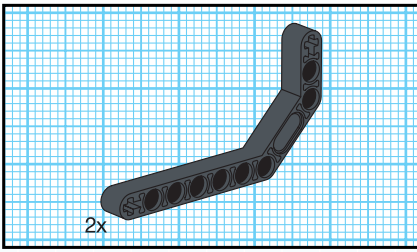




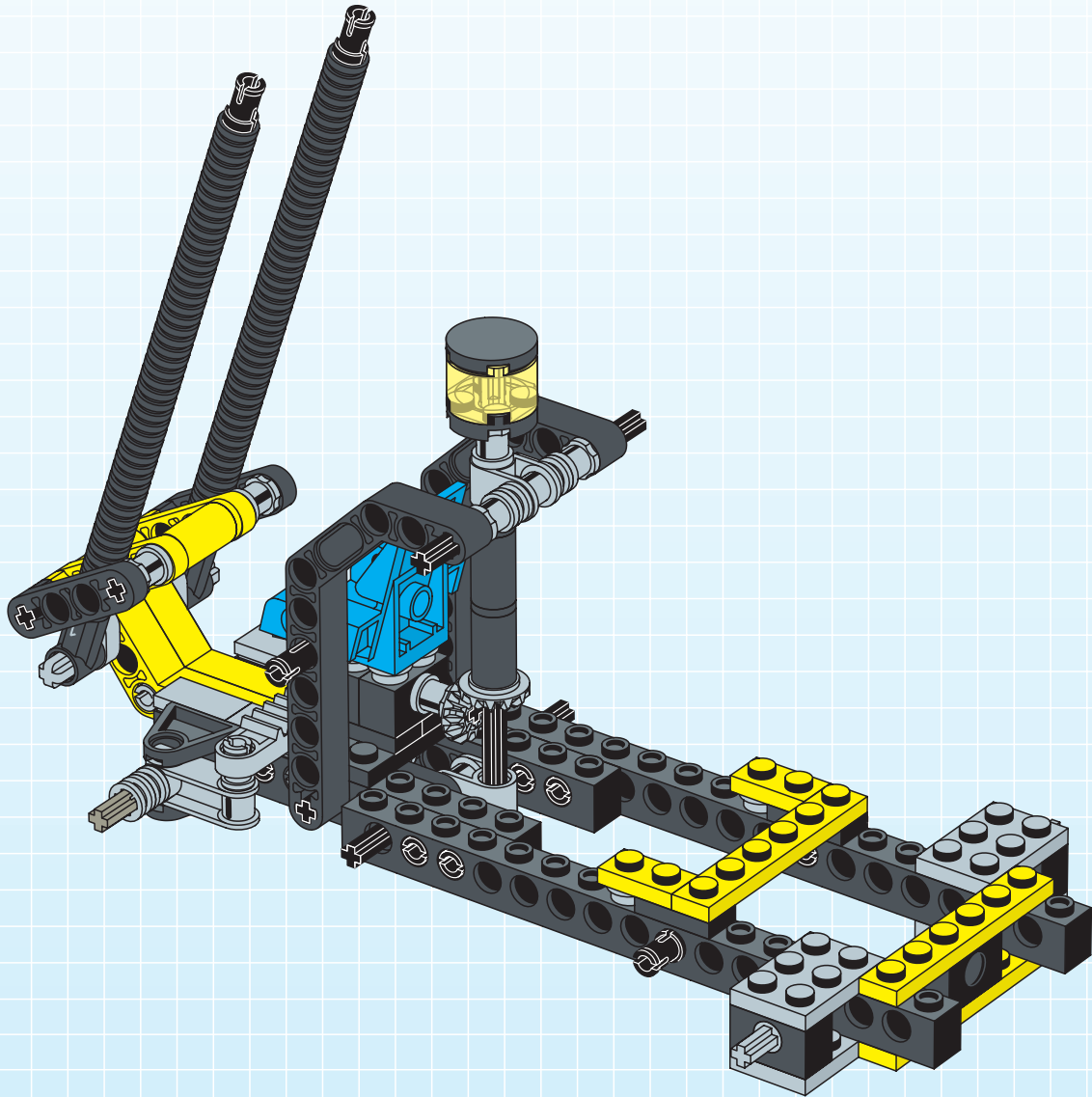
# 14

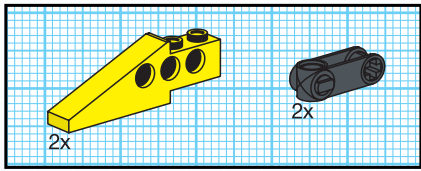




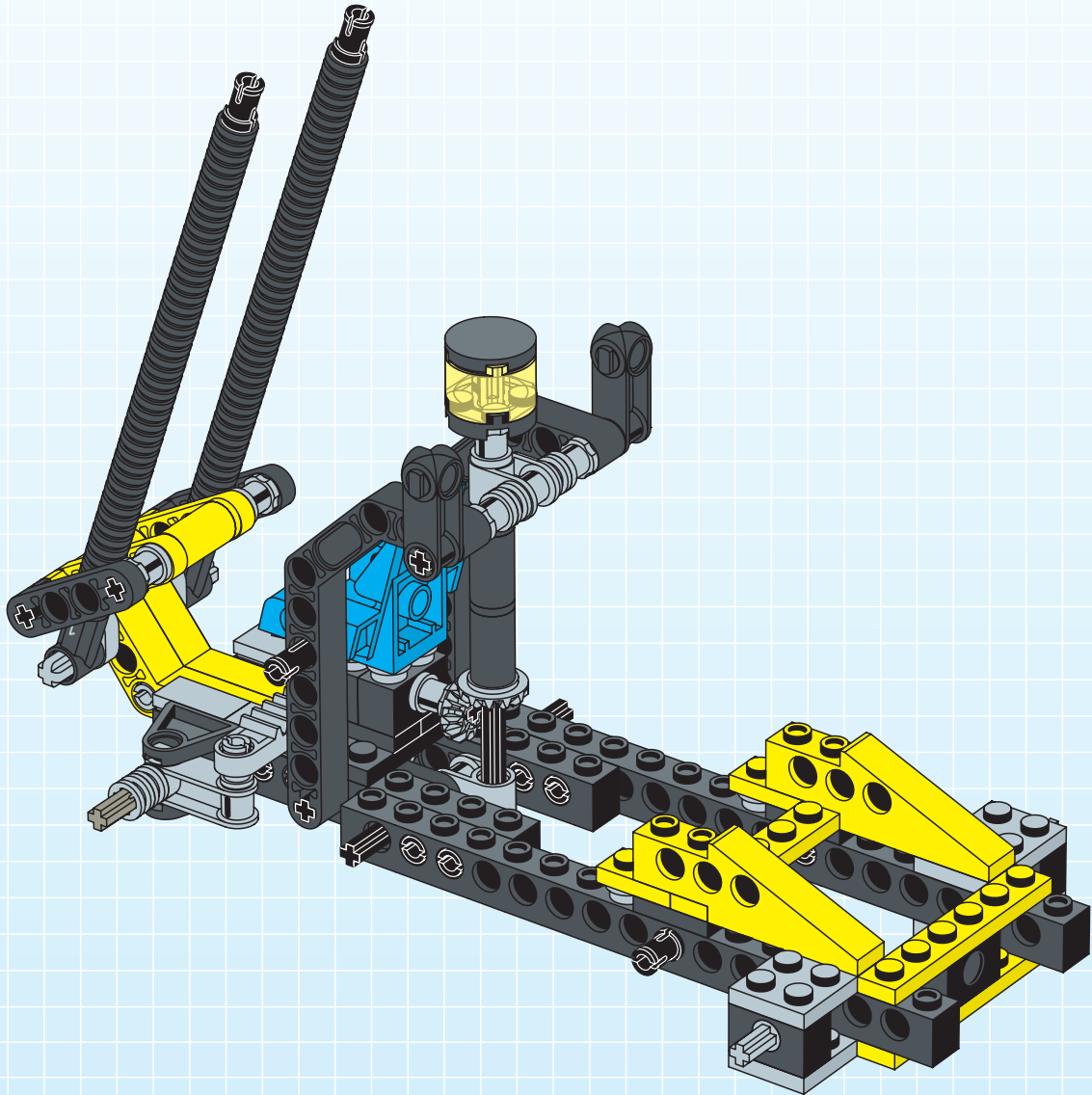


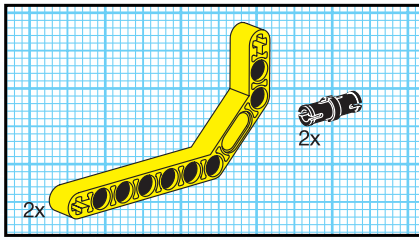
15



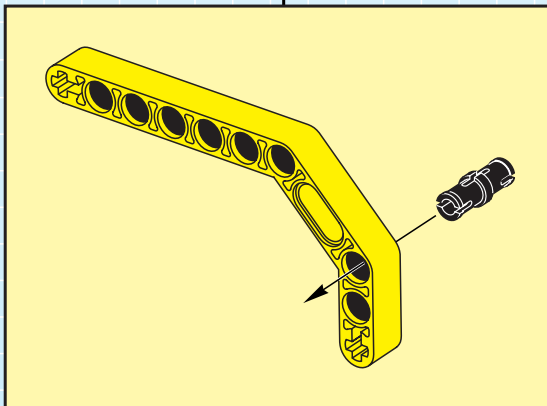
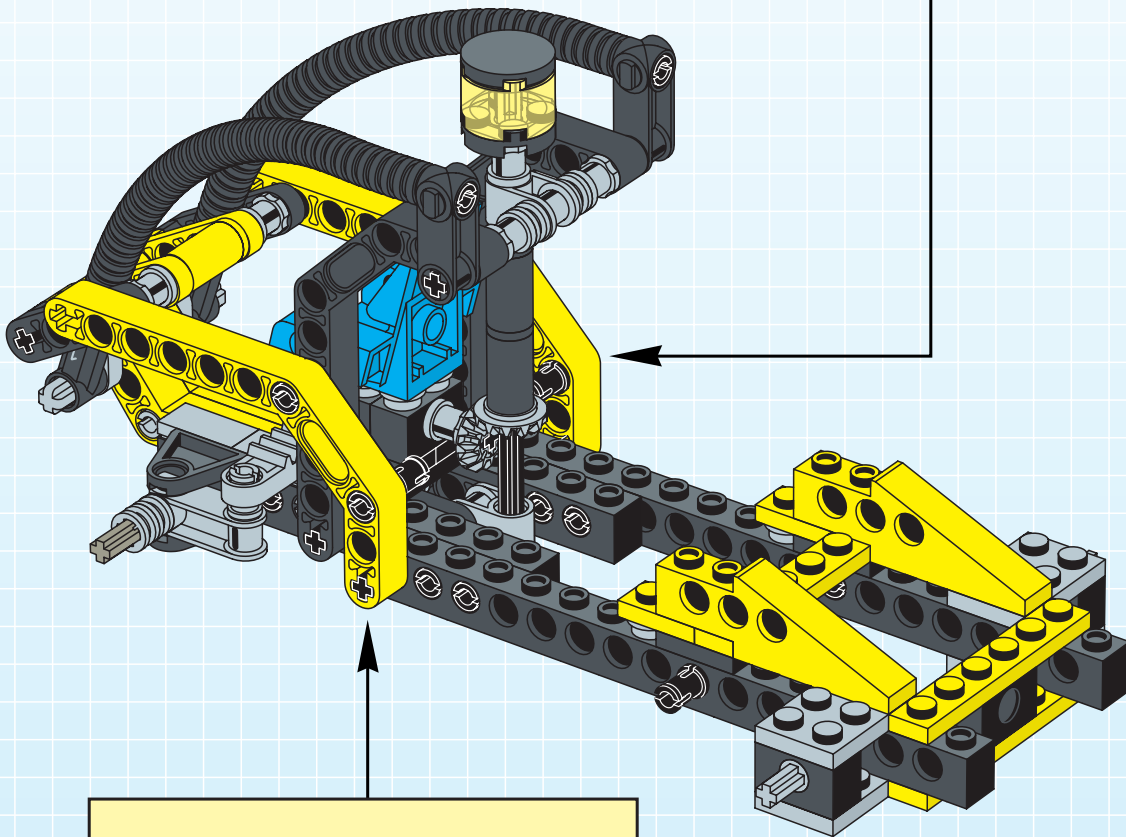
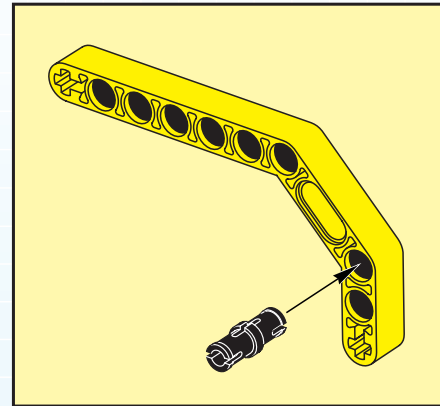


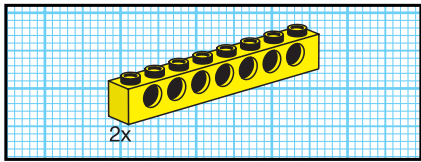
16



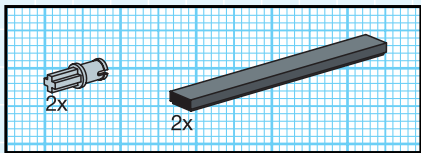
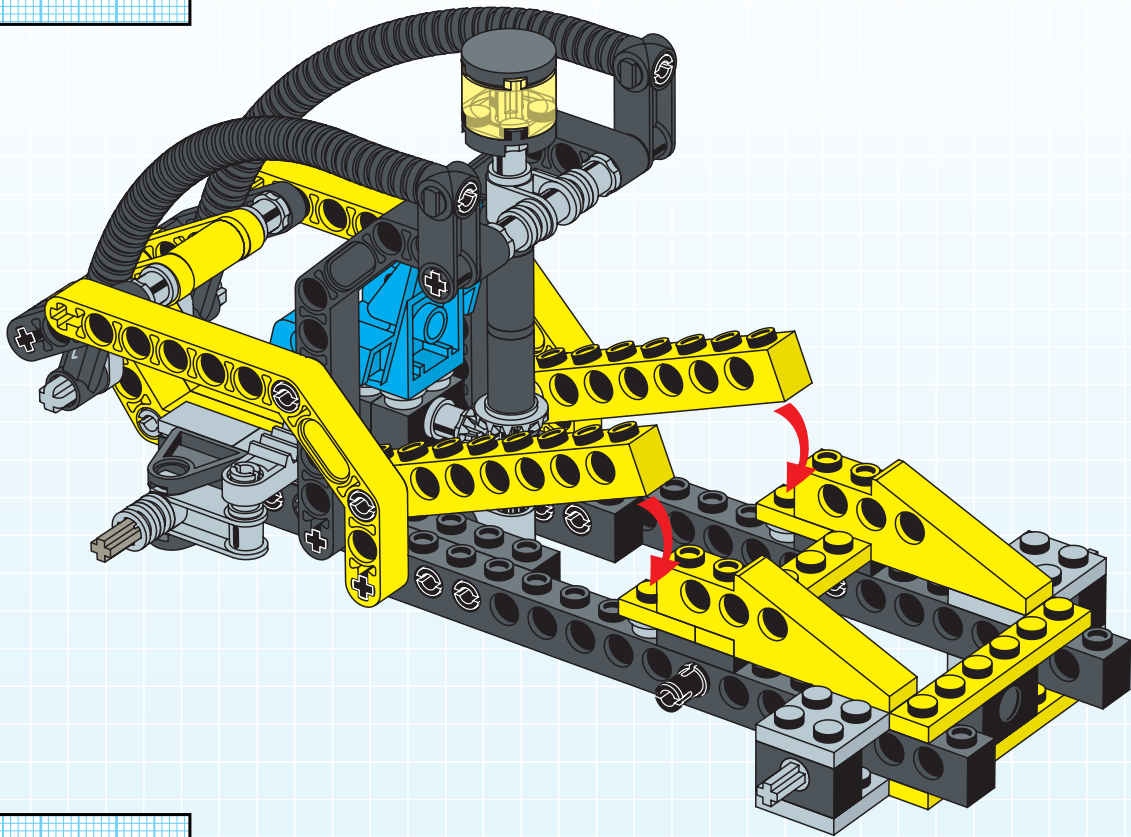


17

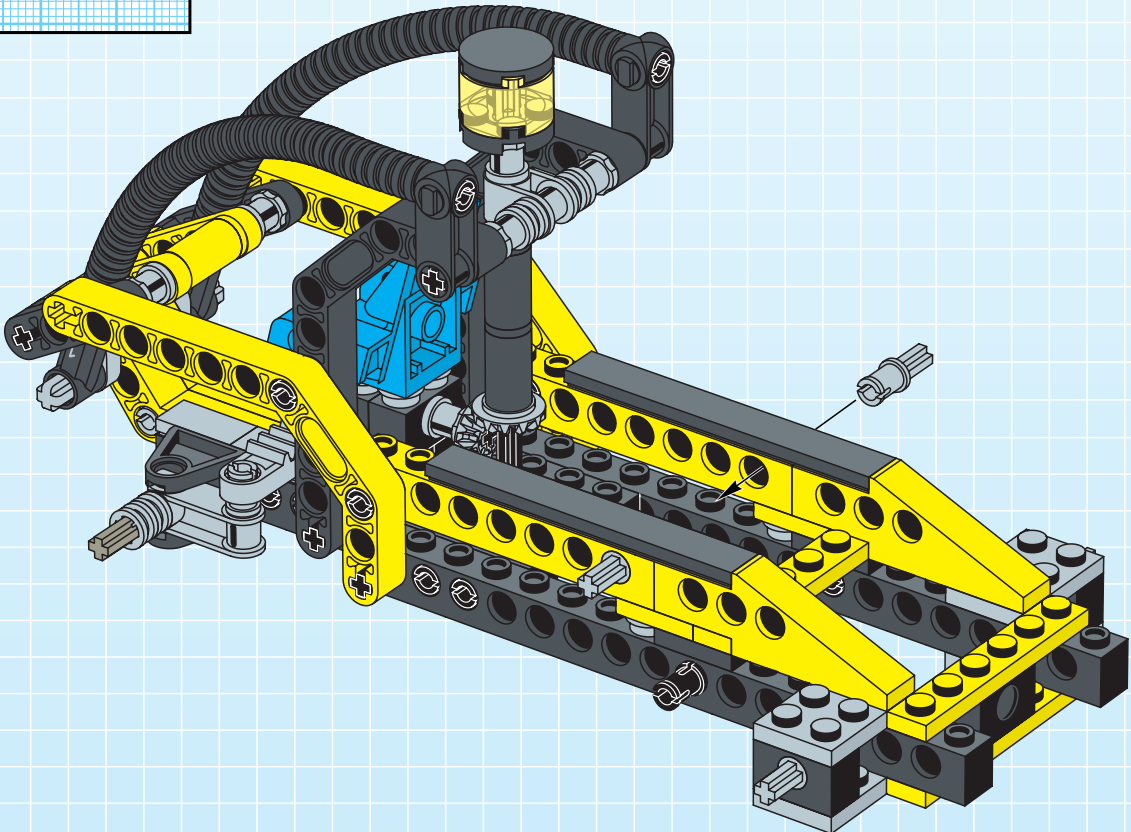




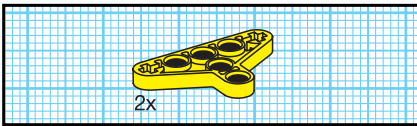
18



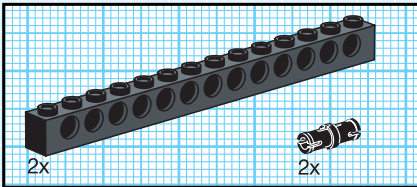
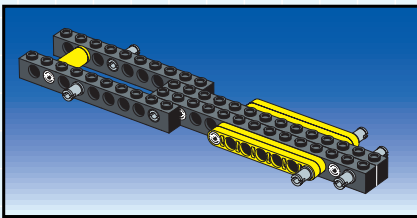
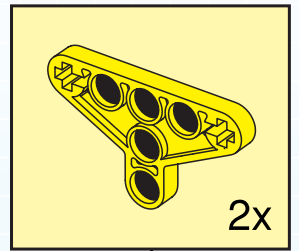
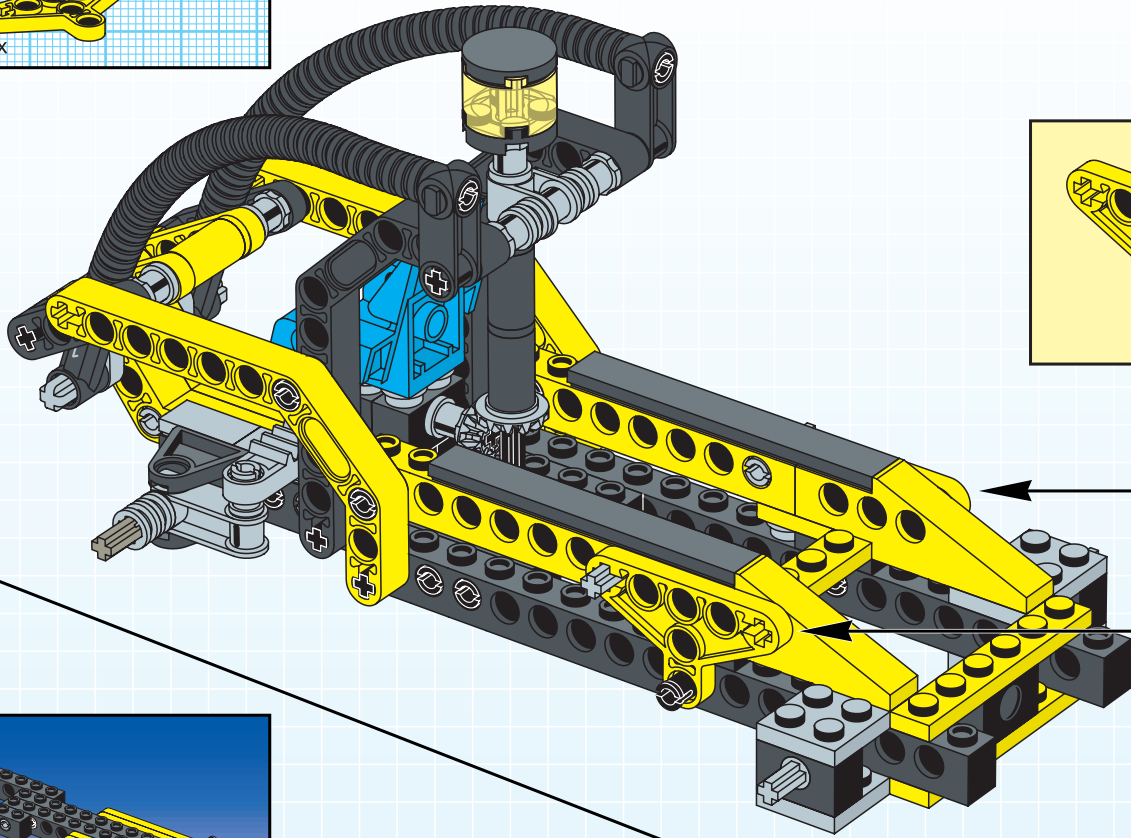
19



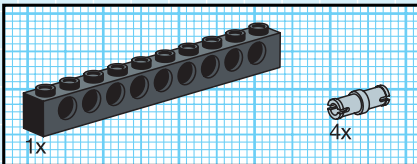
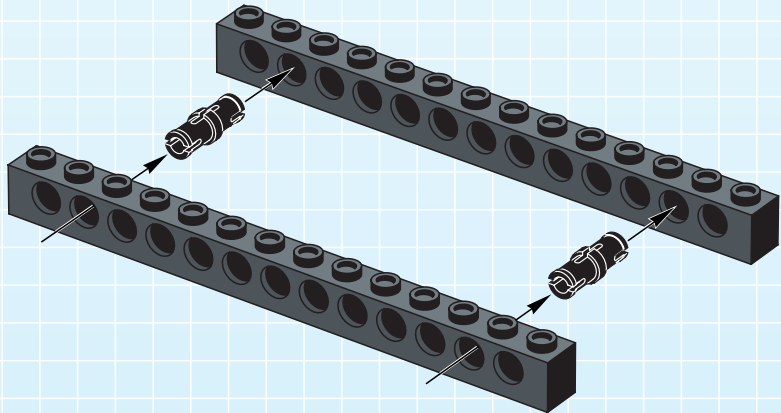




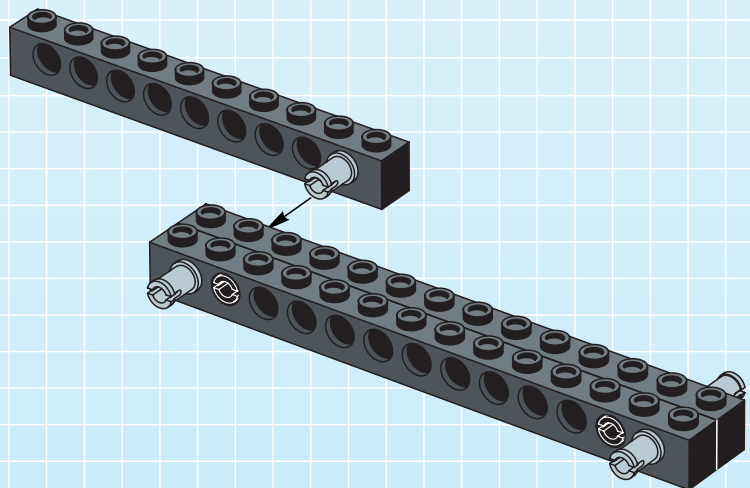
20

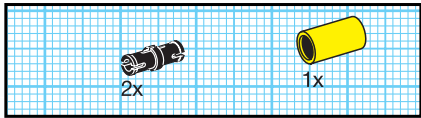


1

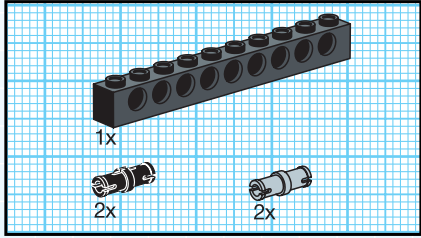
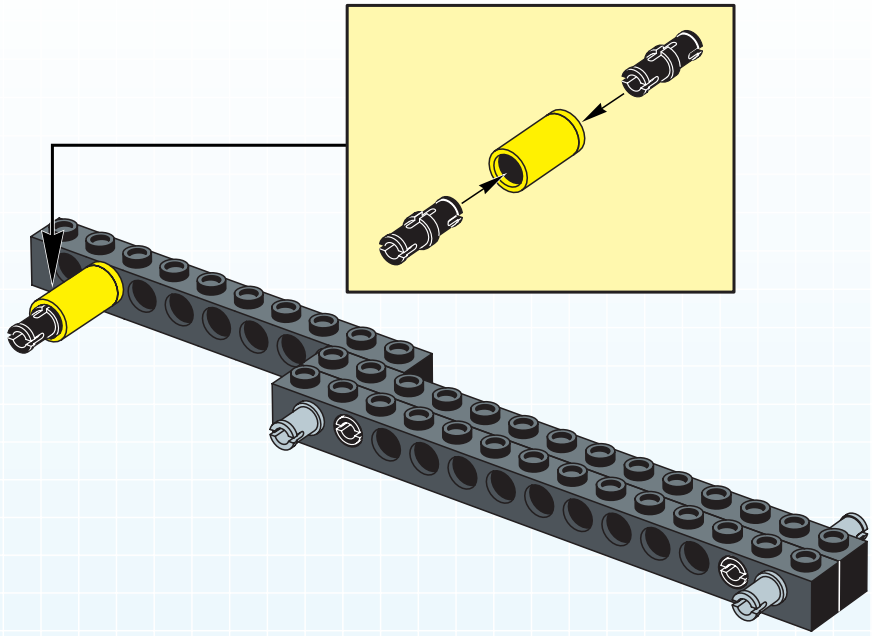


2

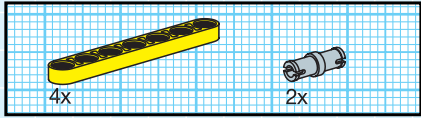
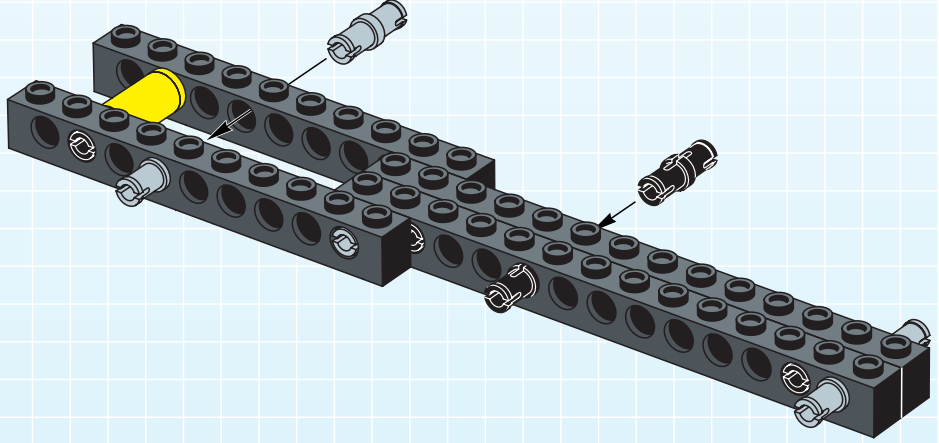




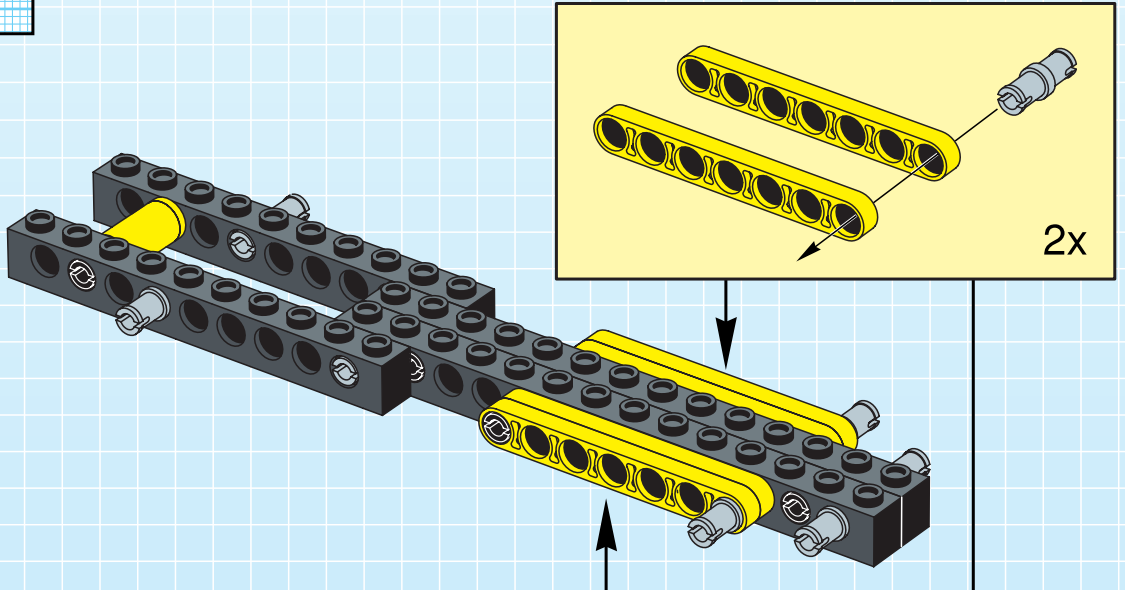
3

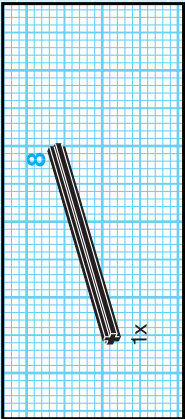
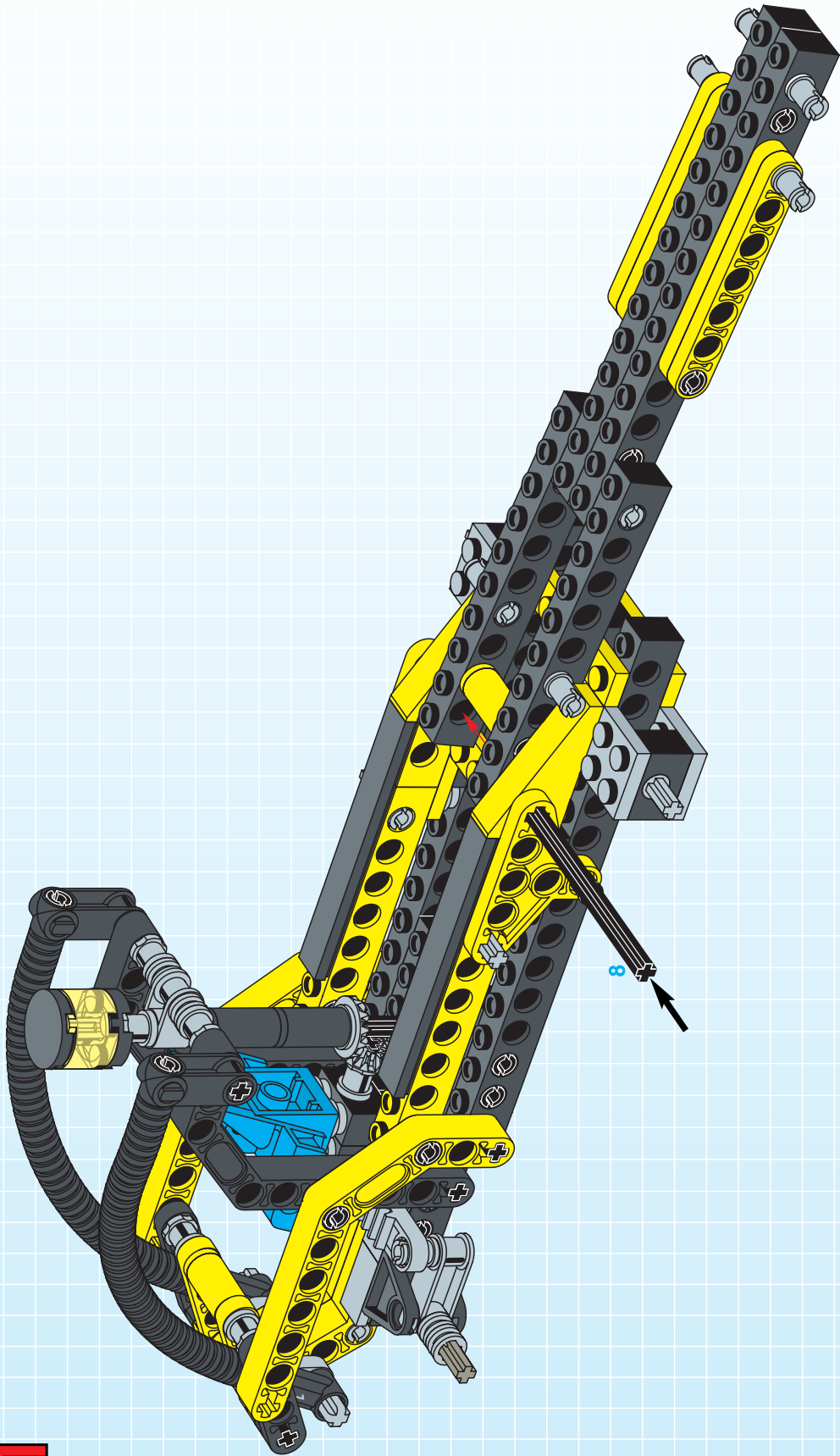


4

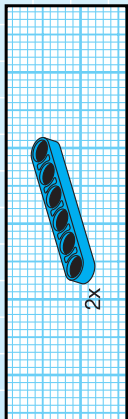
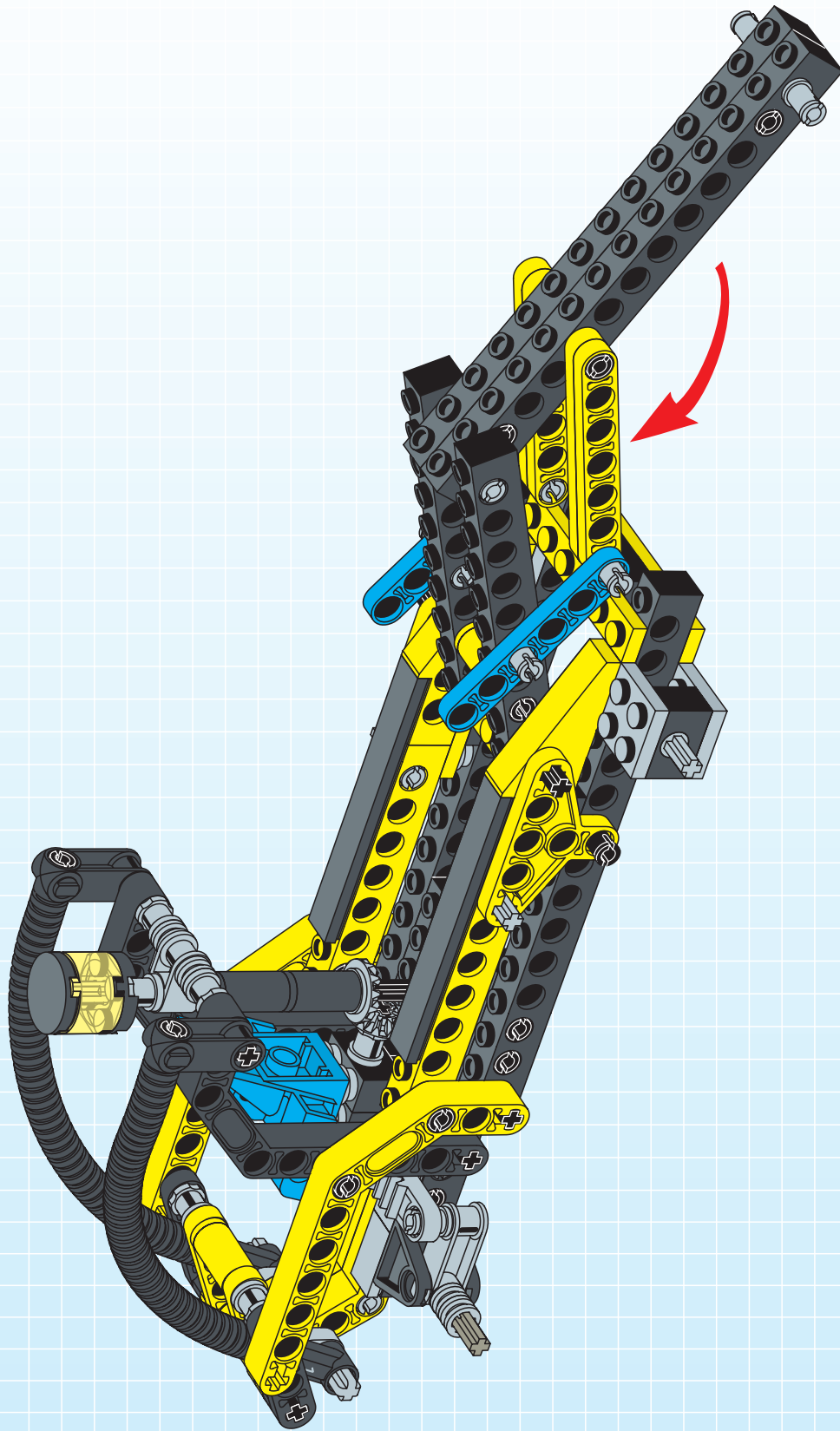


5



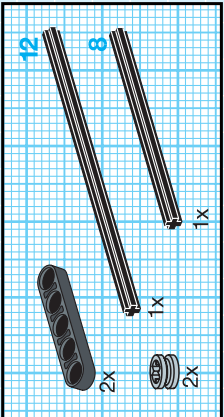
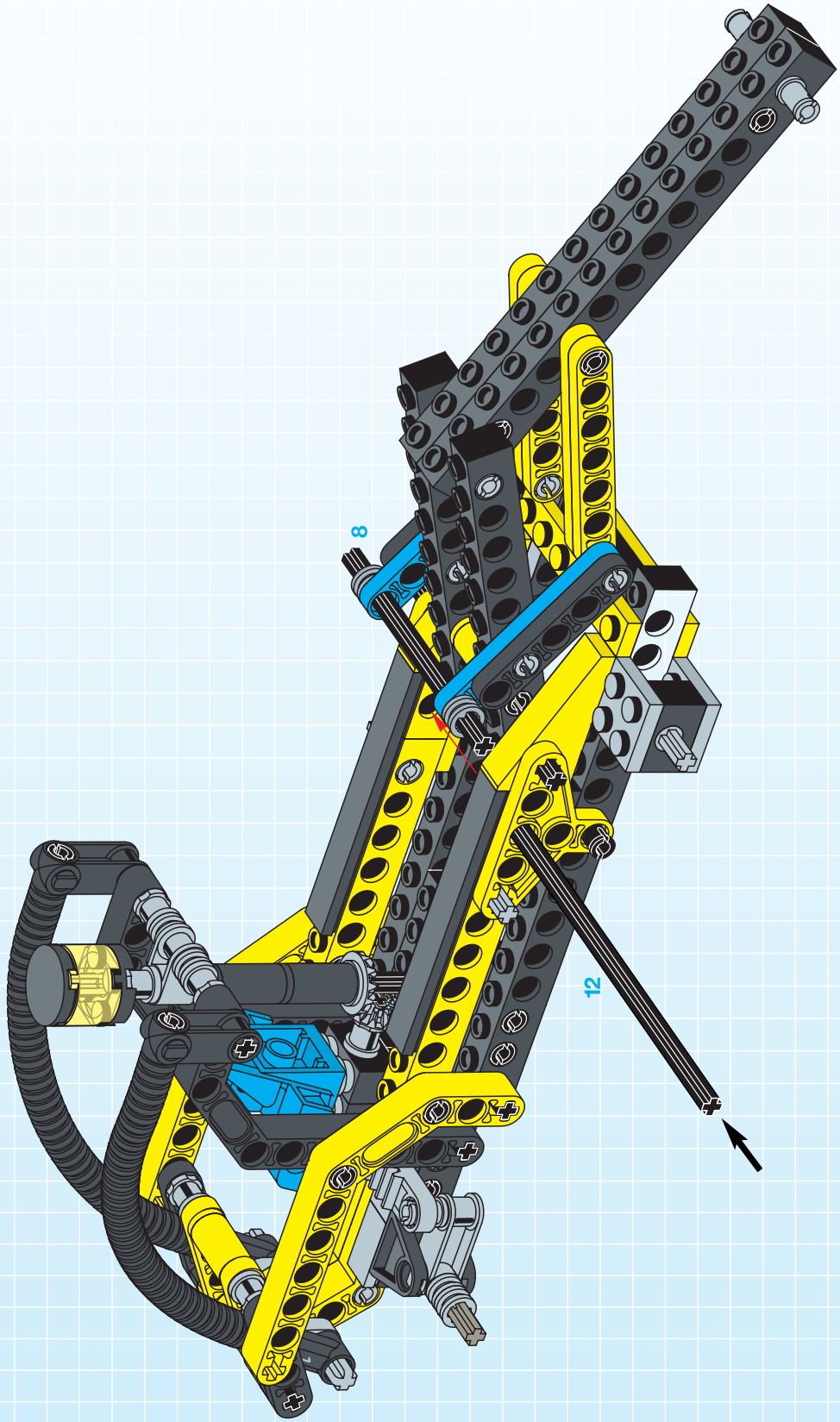


21

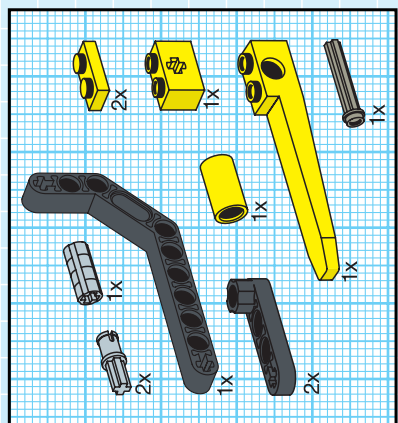
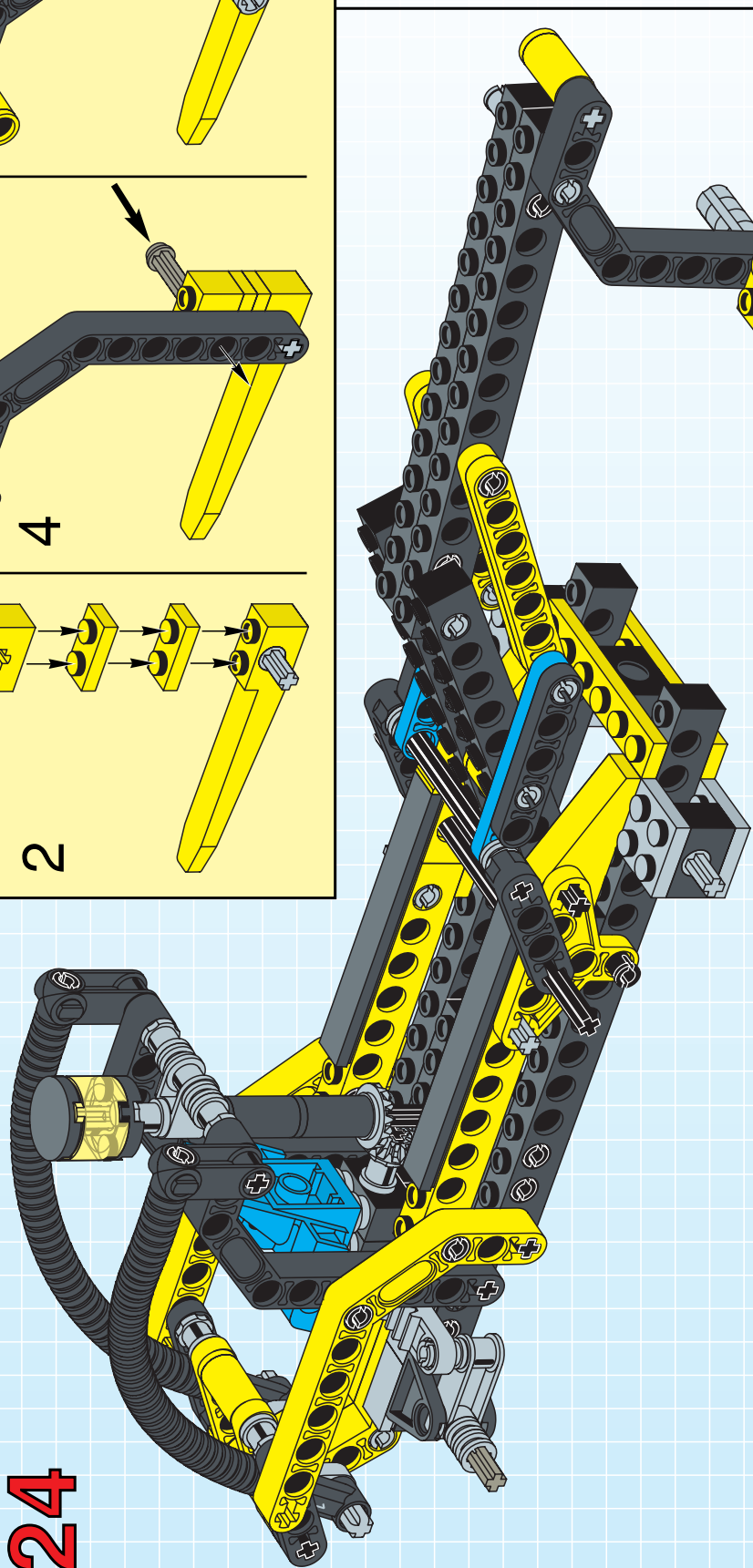
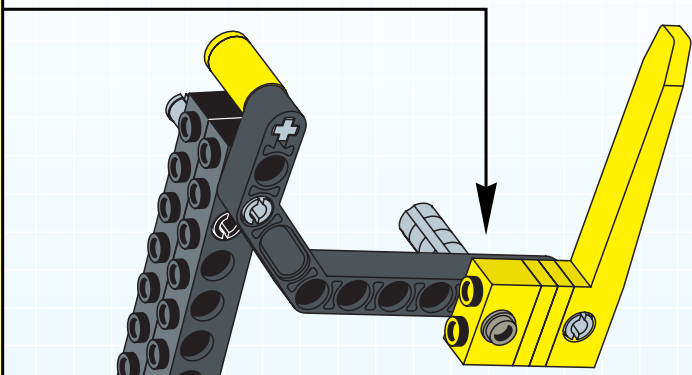
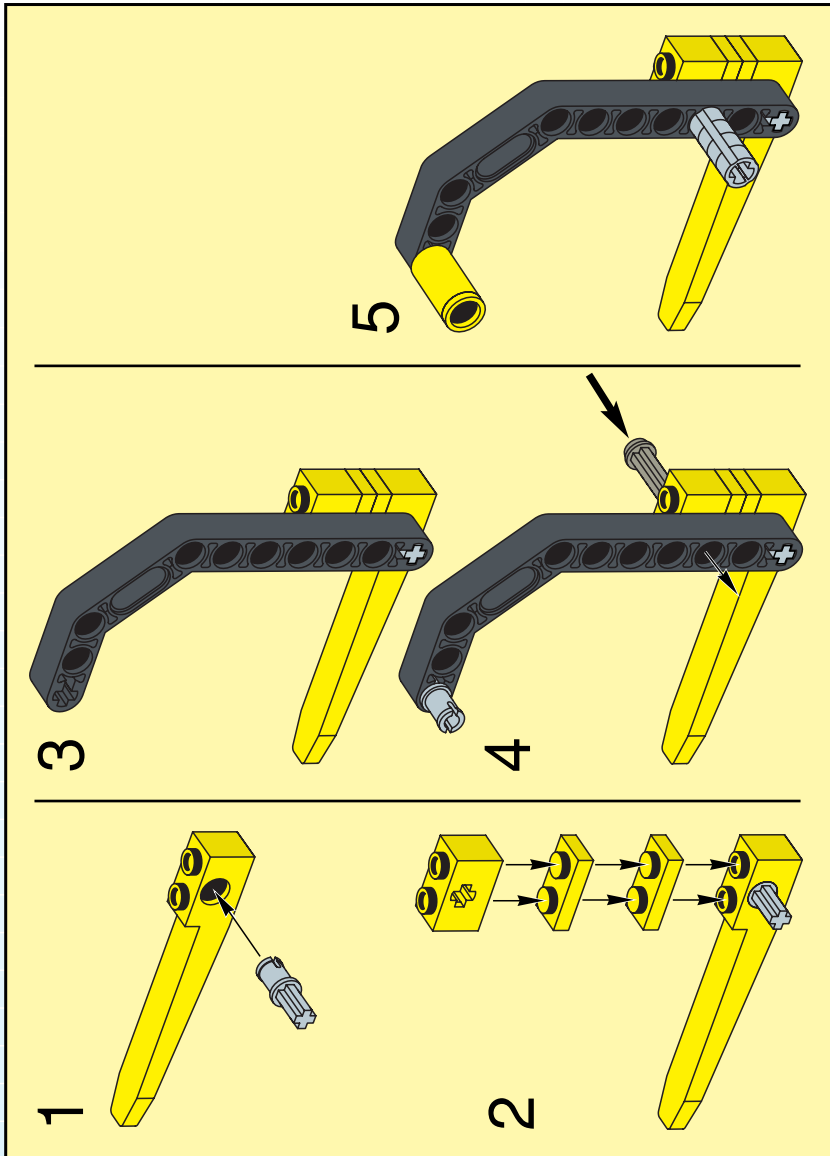


22

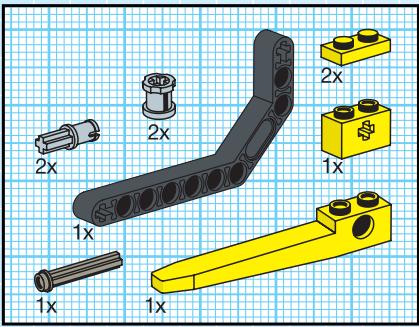




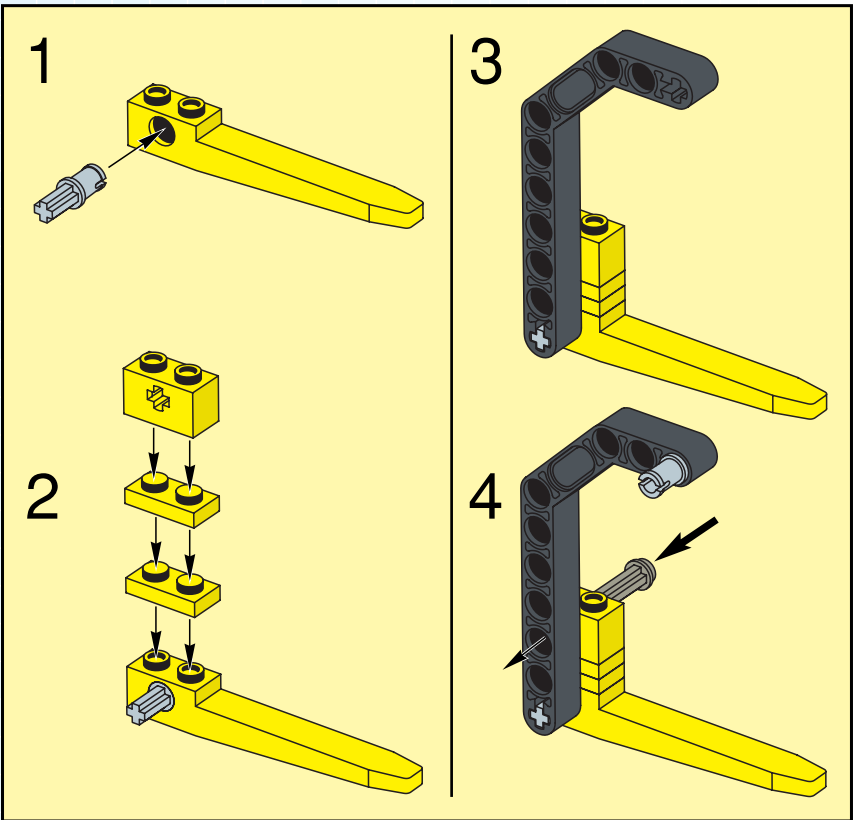
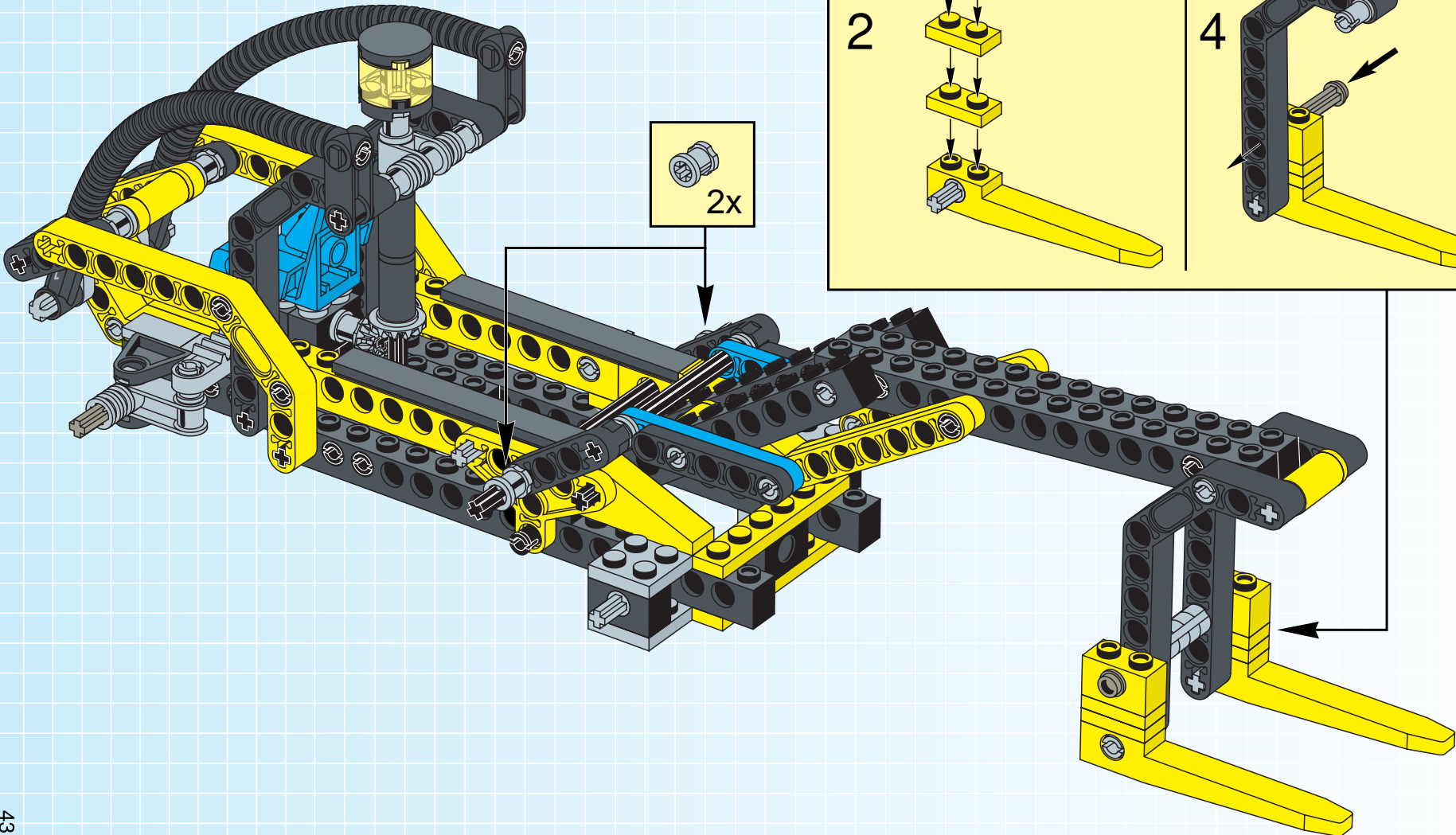
23

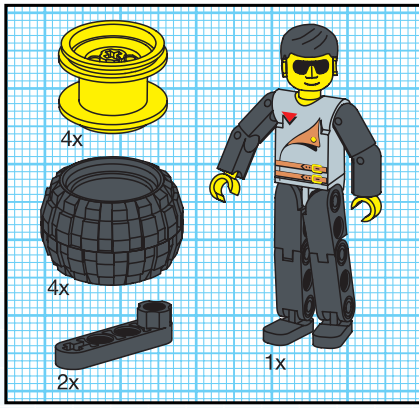


24

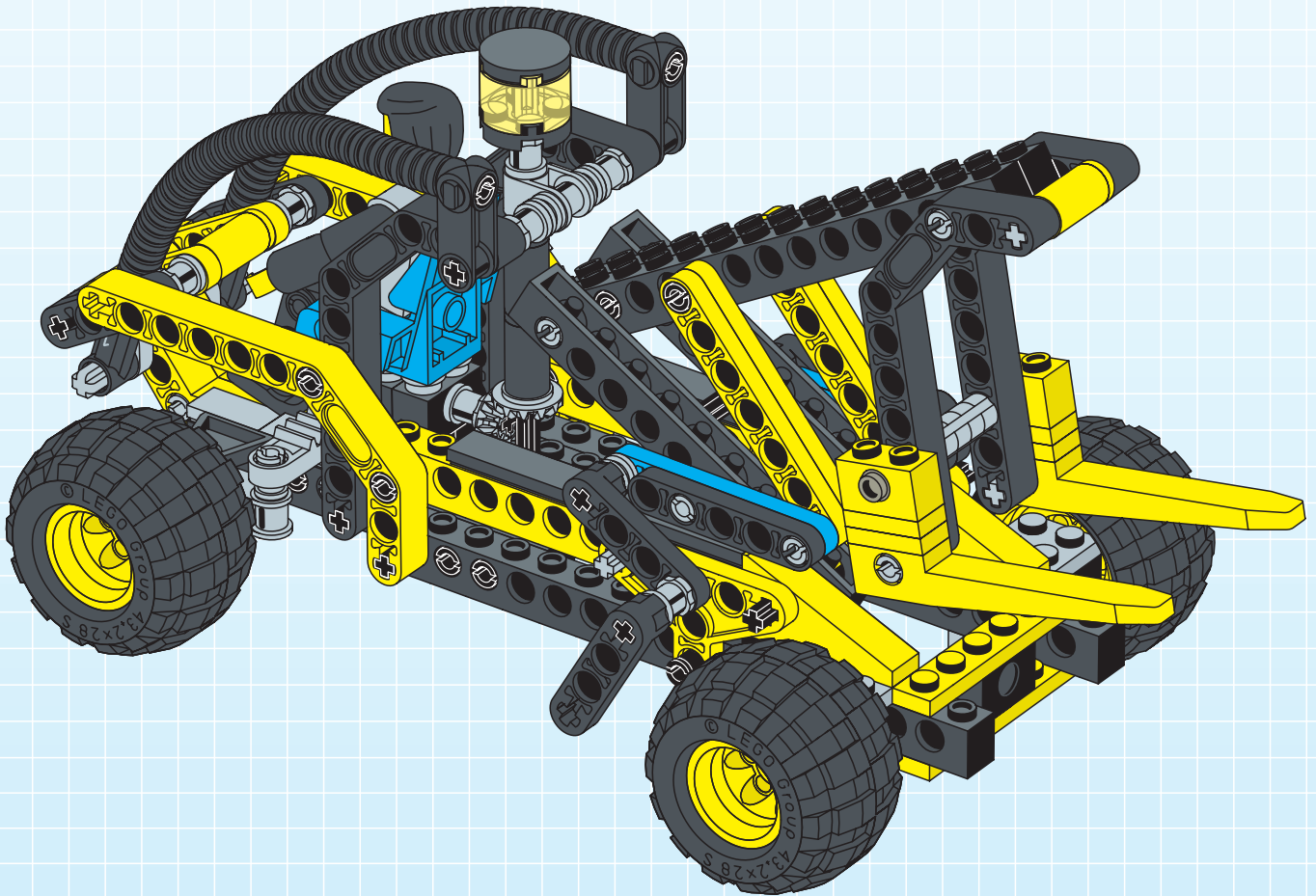


25

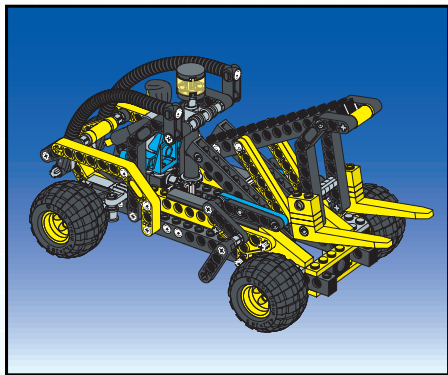




26



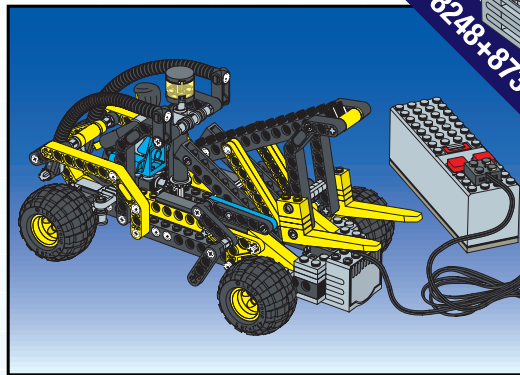




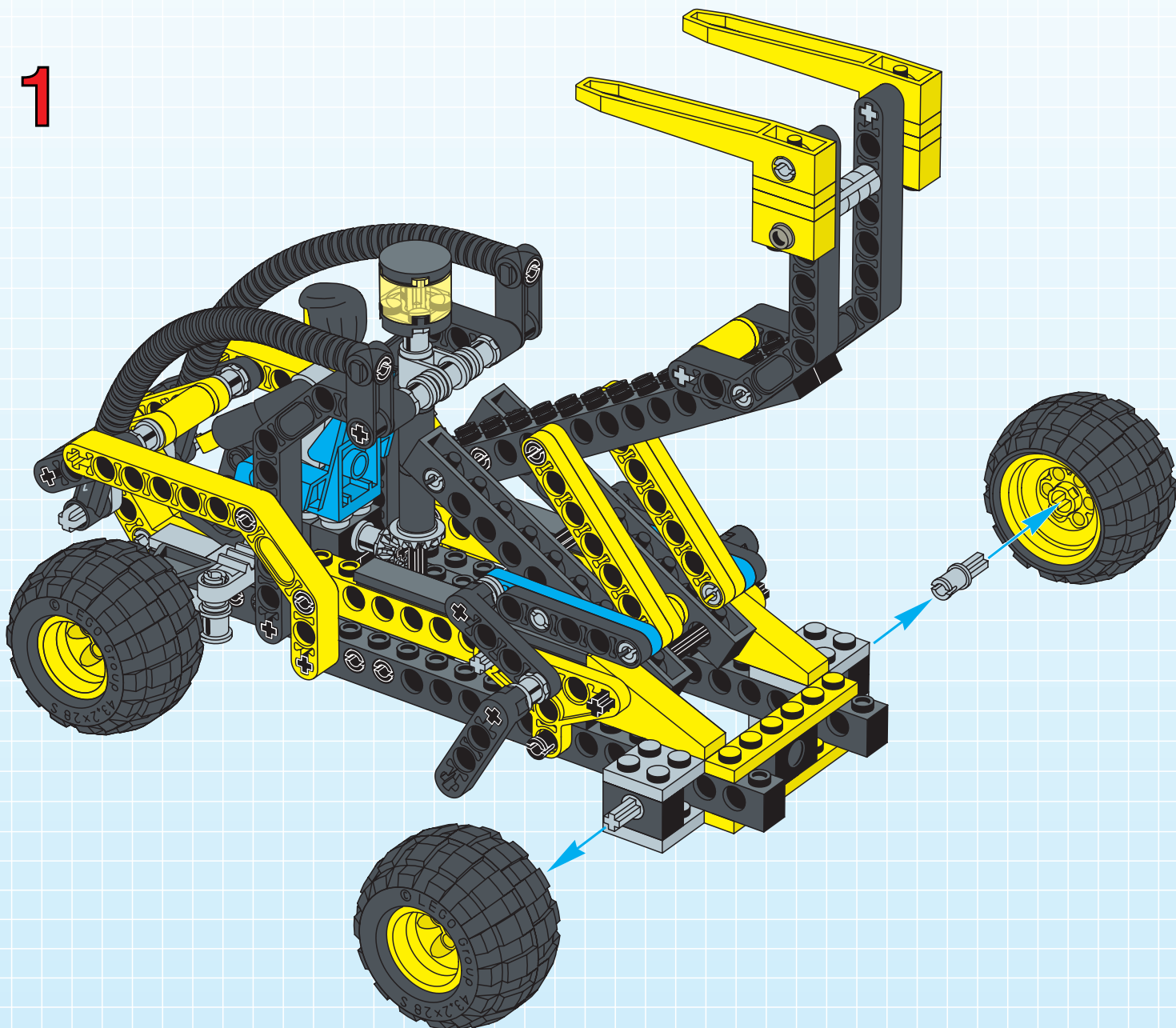
+



=

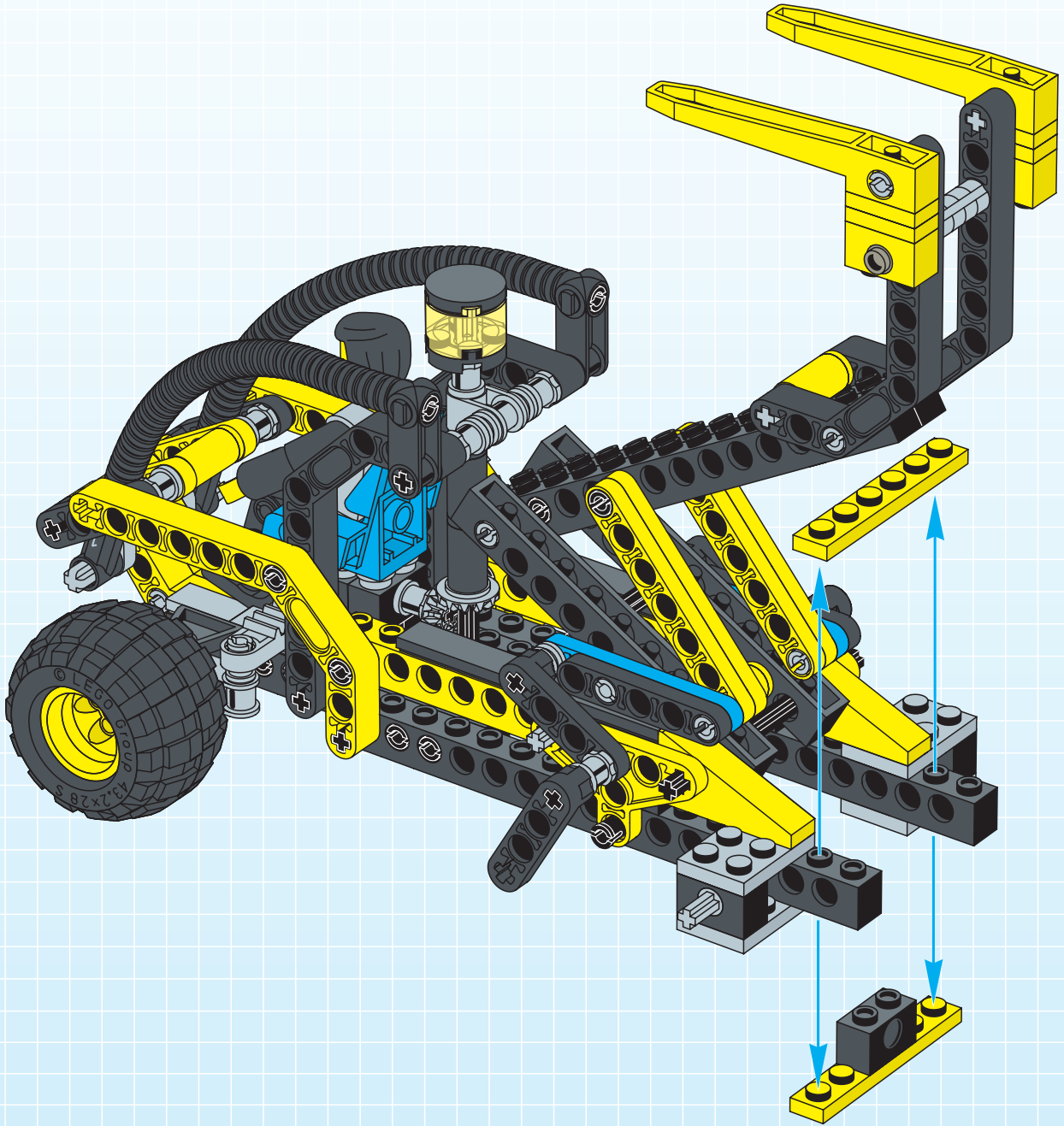


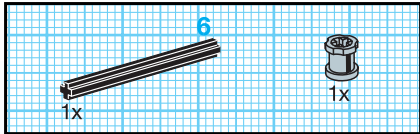
1



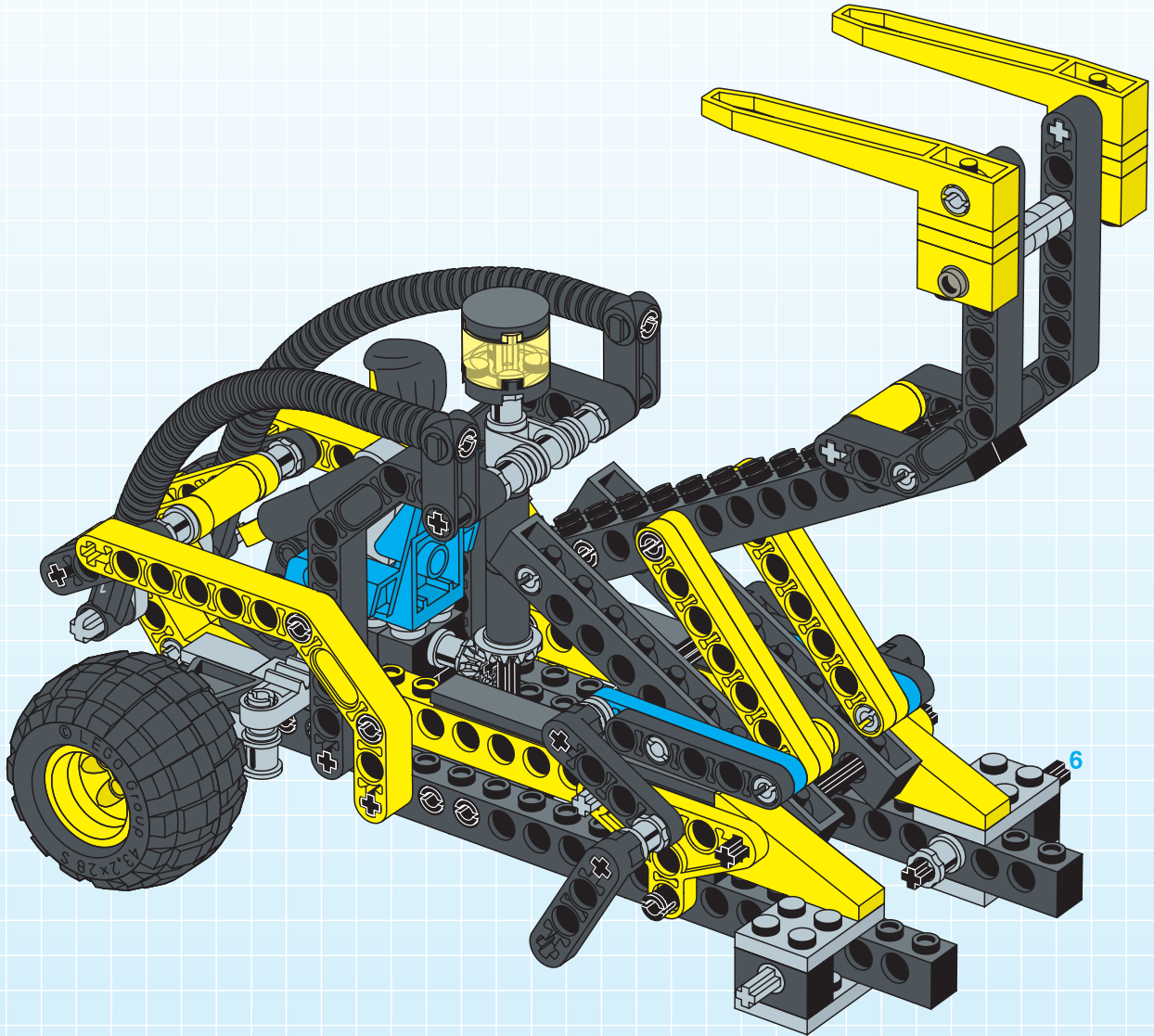


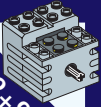
2



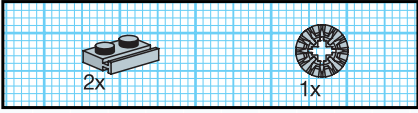


# 3

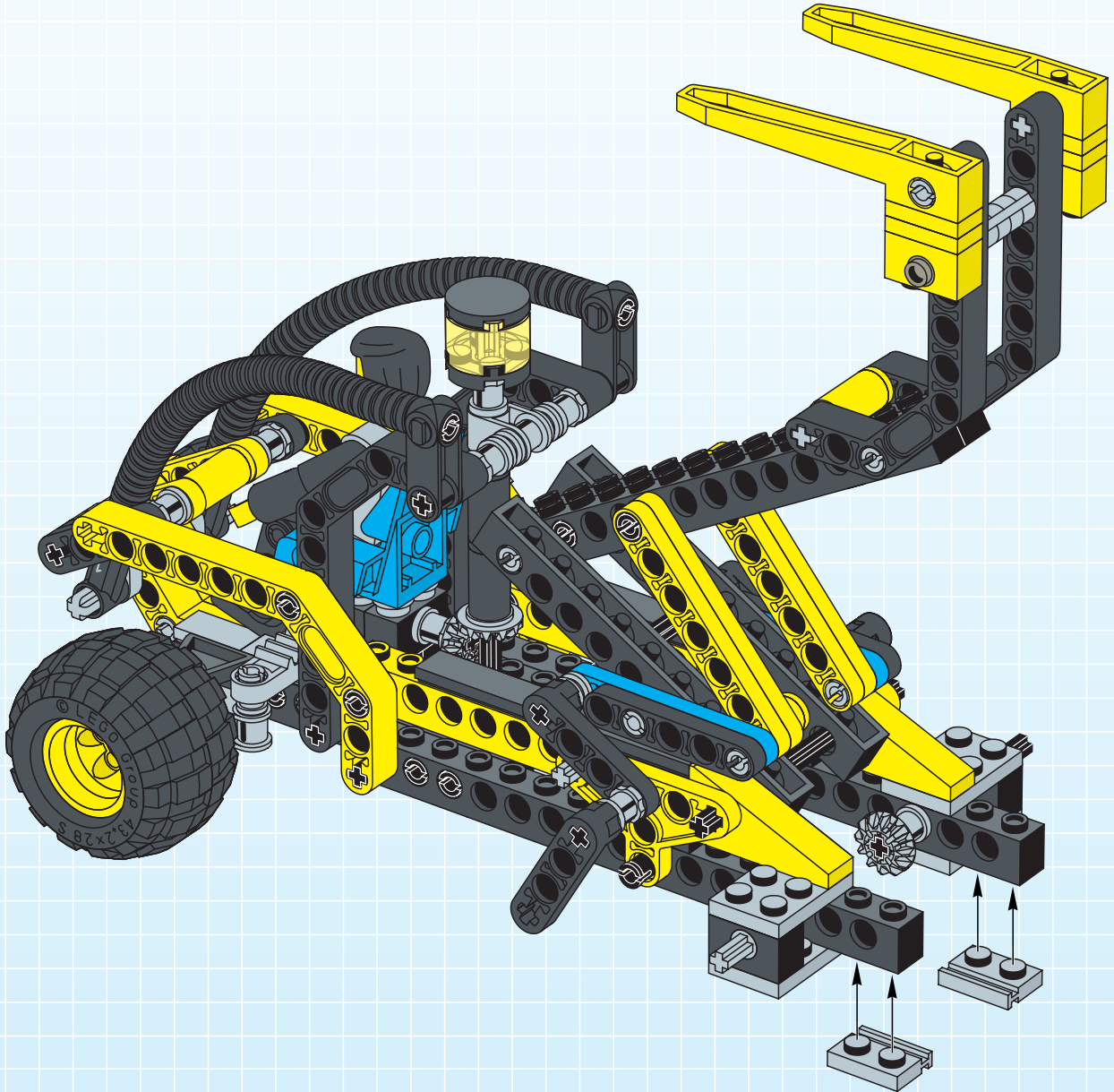


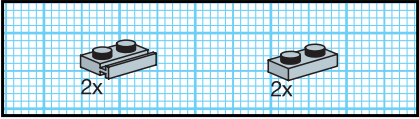


8248+8735

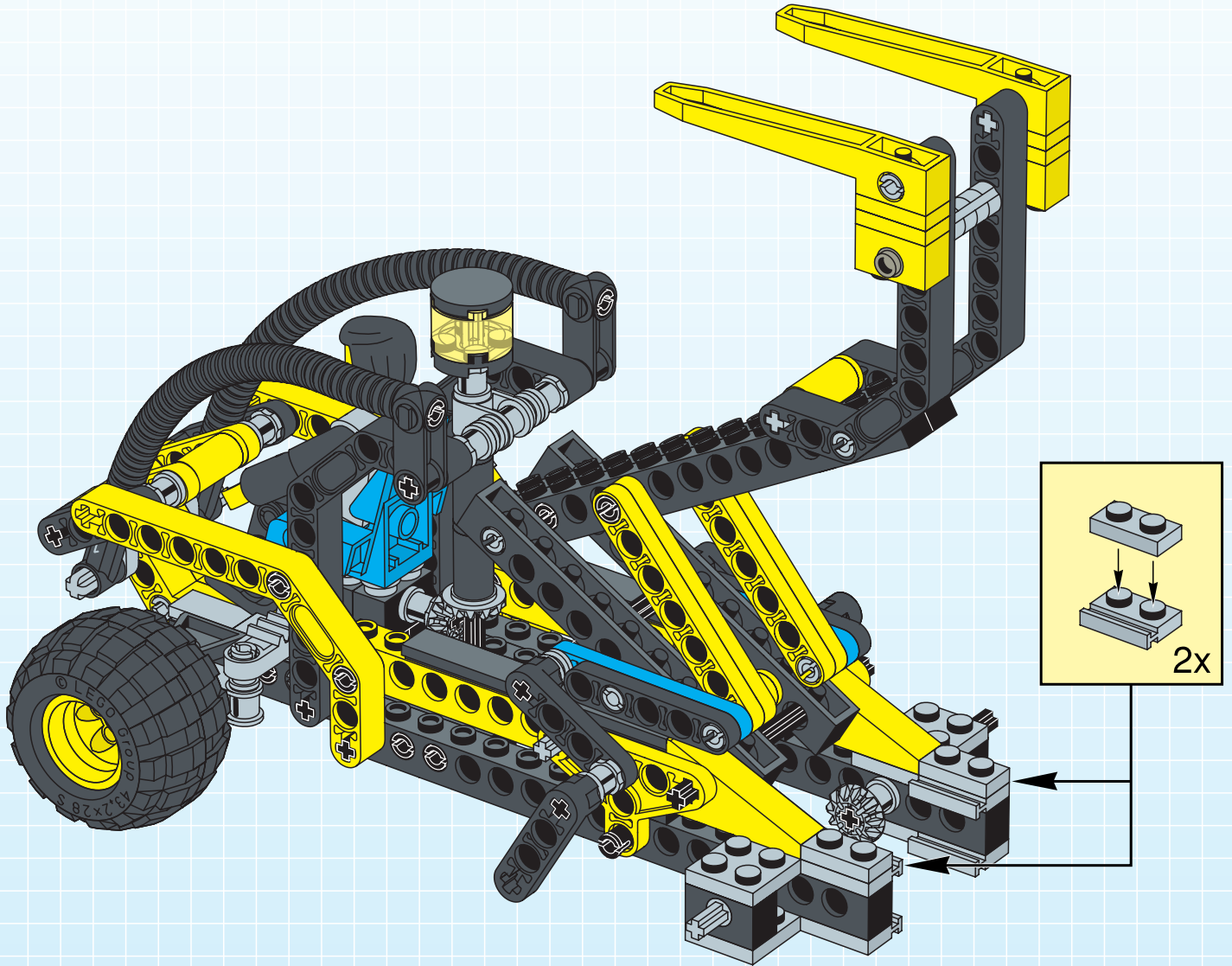


4

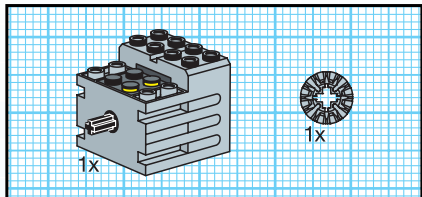




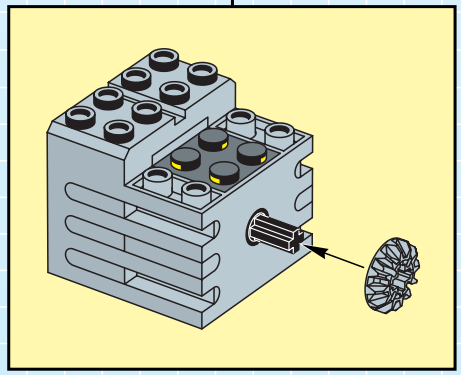
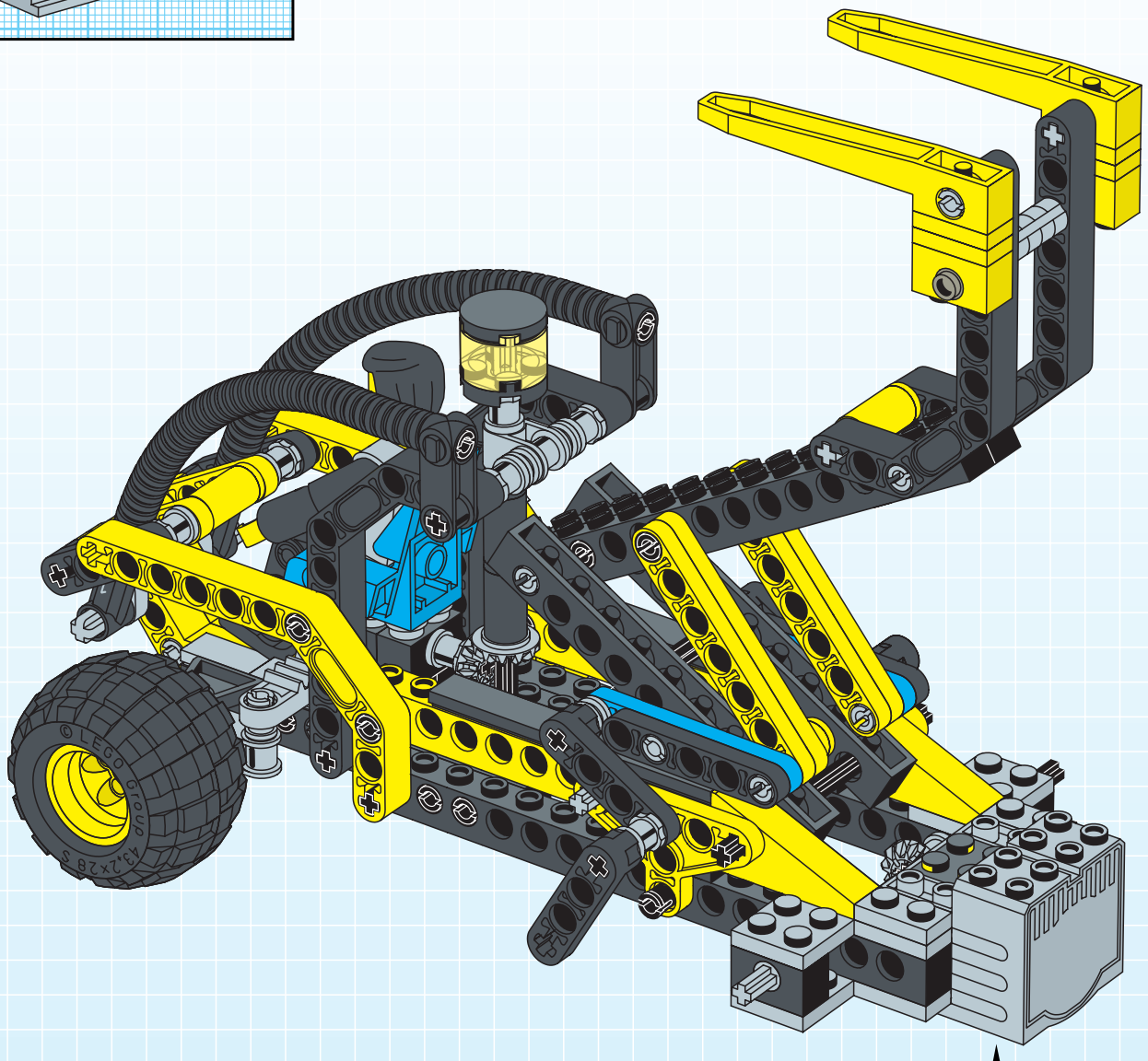
# 5



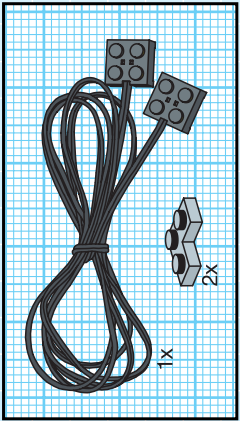
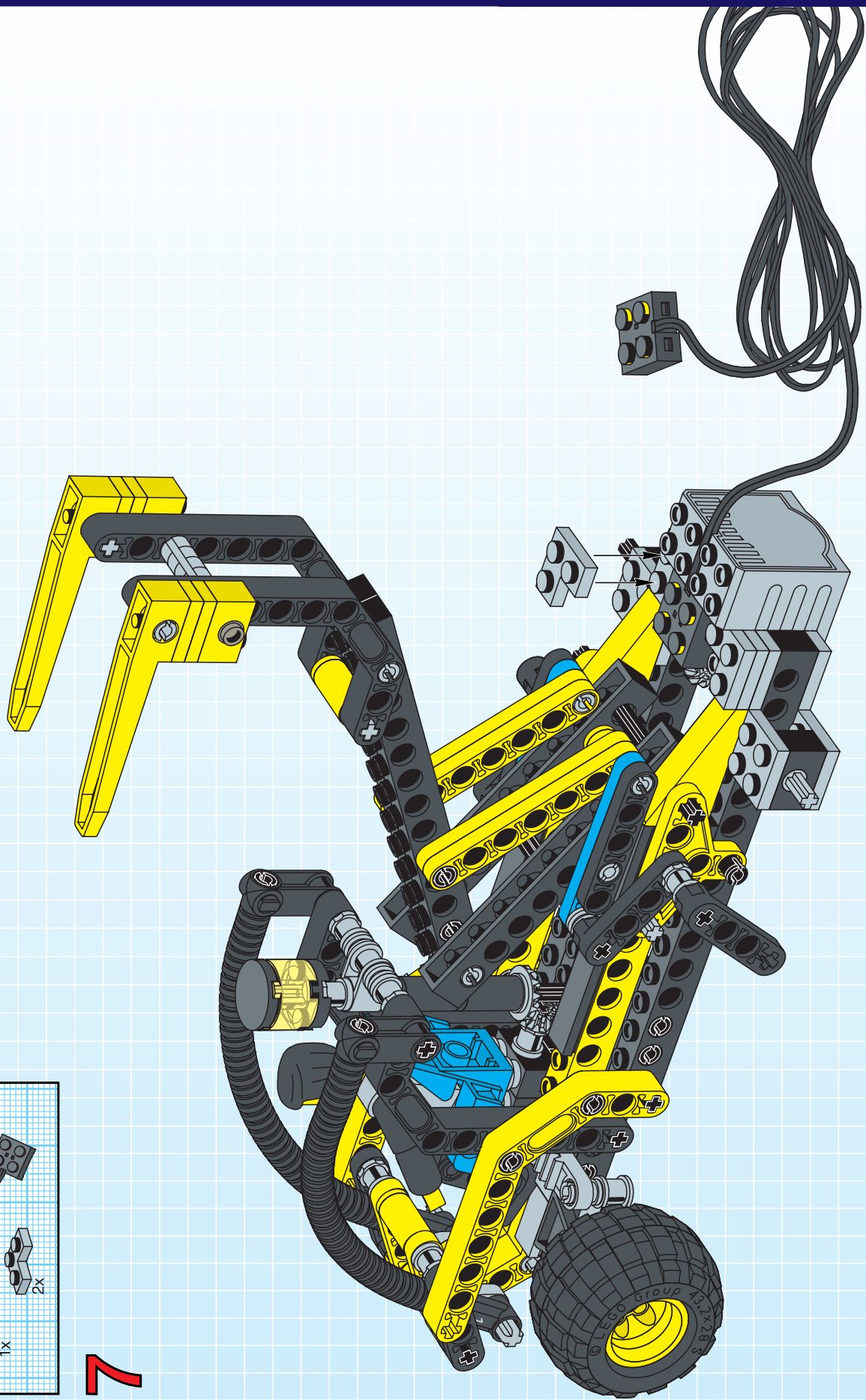




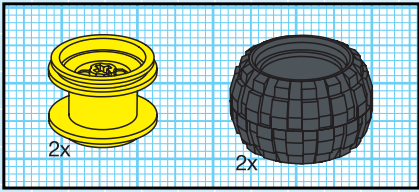
6







7



8

