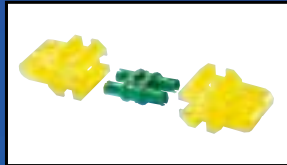




# Technic

8255





..... 3



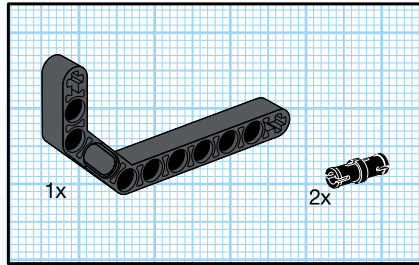
..... 11



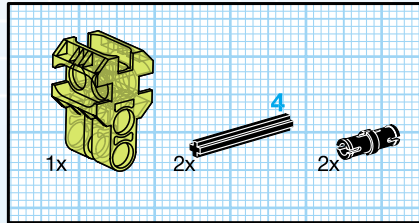
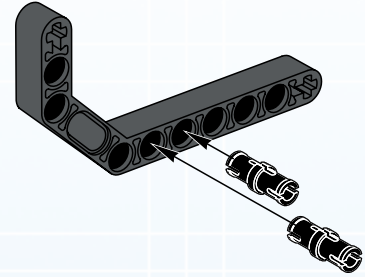
..... 15



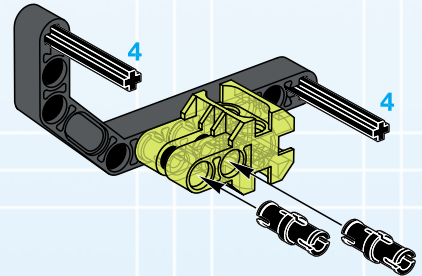
..... 21

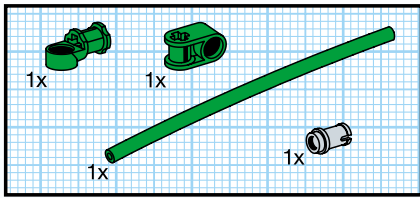


1

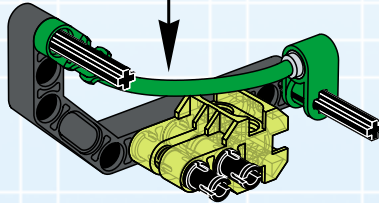
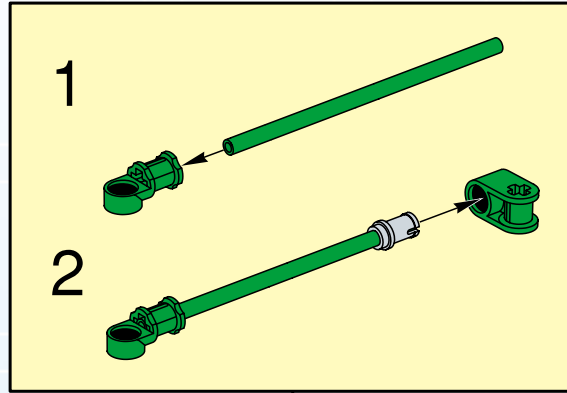


2

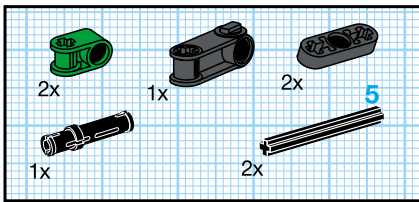




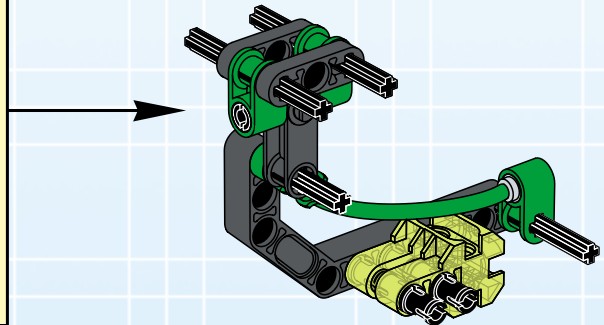
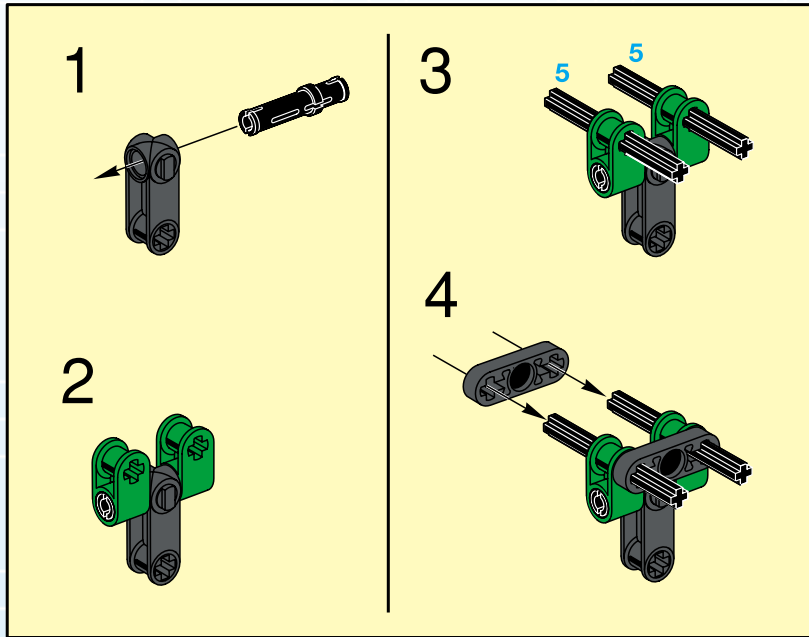
3

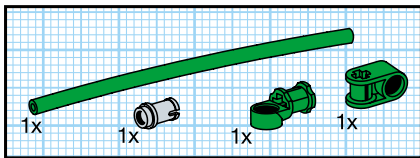




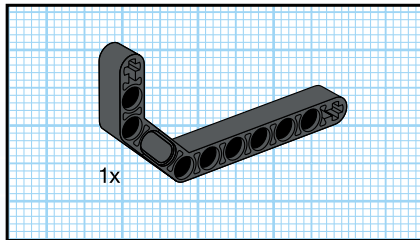
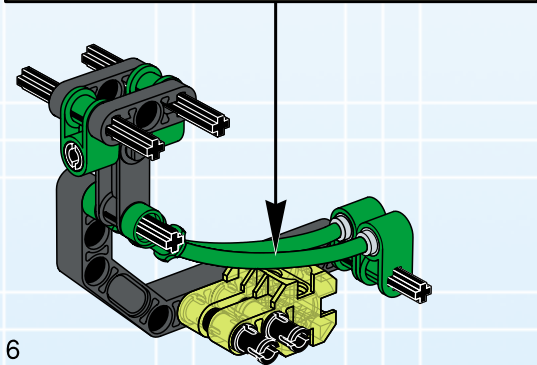
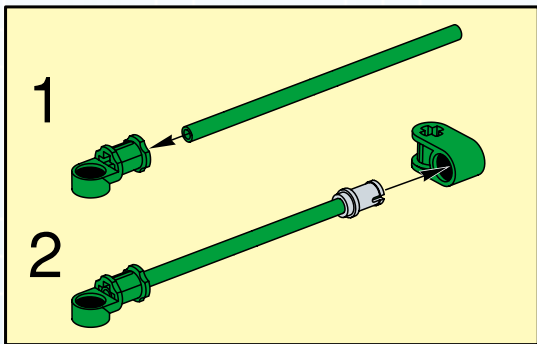


# 4

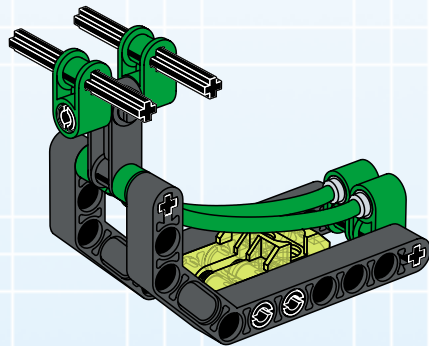




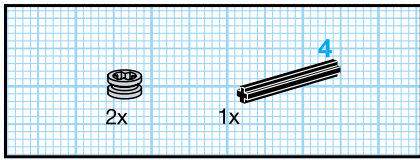
5



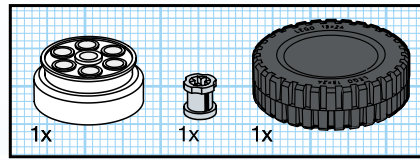
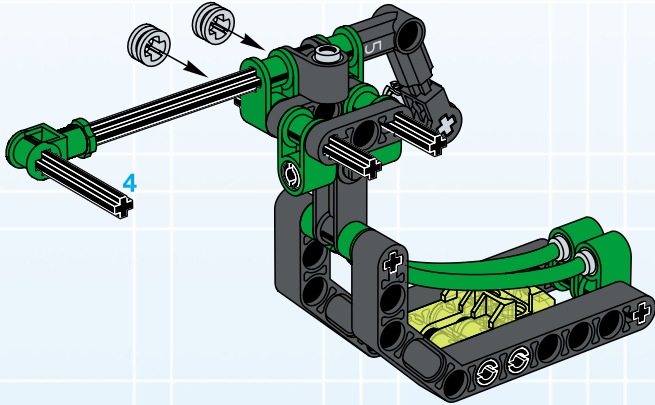
6



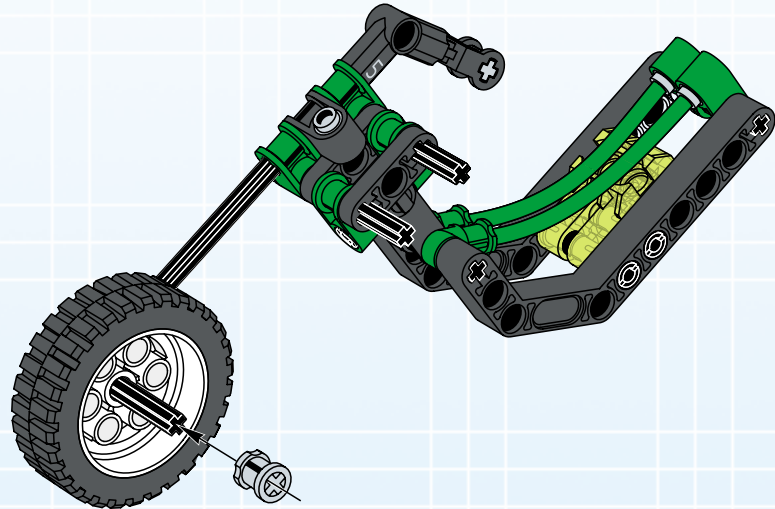




8

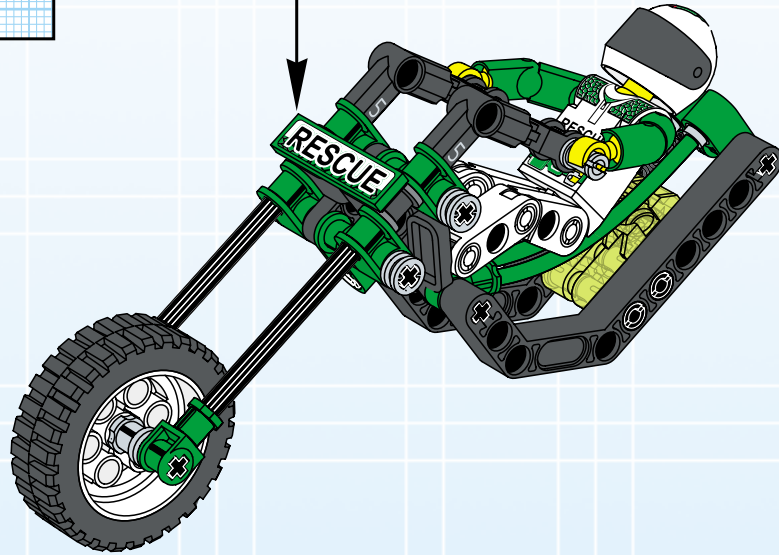
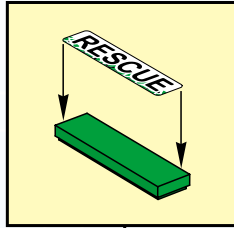
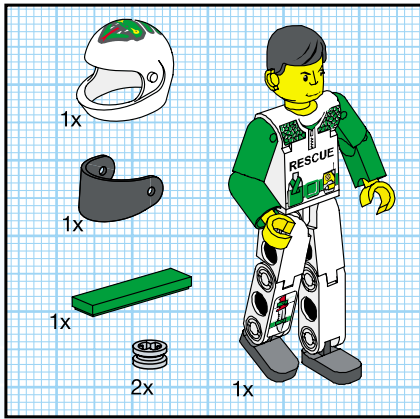


9

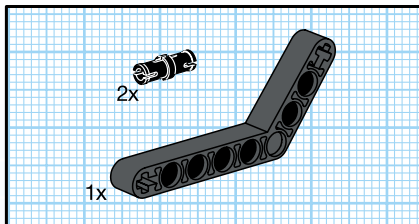




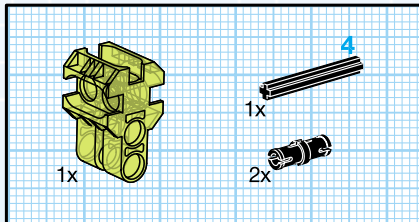
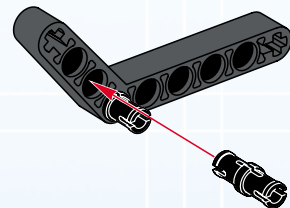




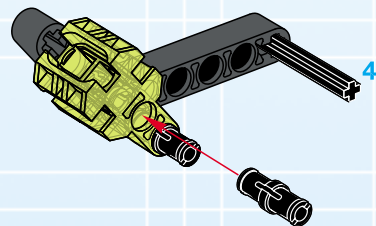
11

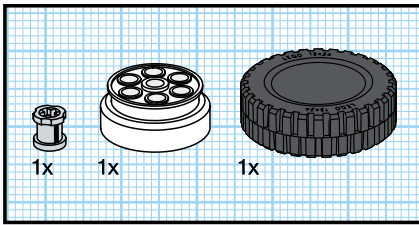


1

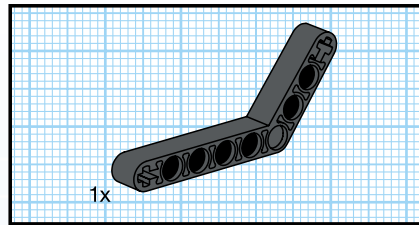
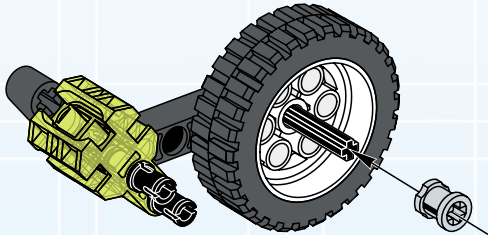


2

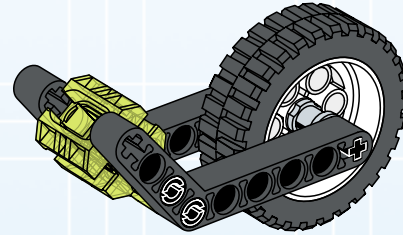




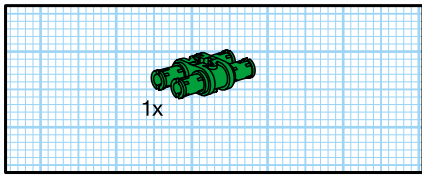
3



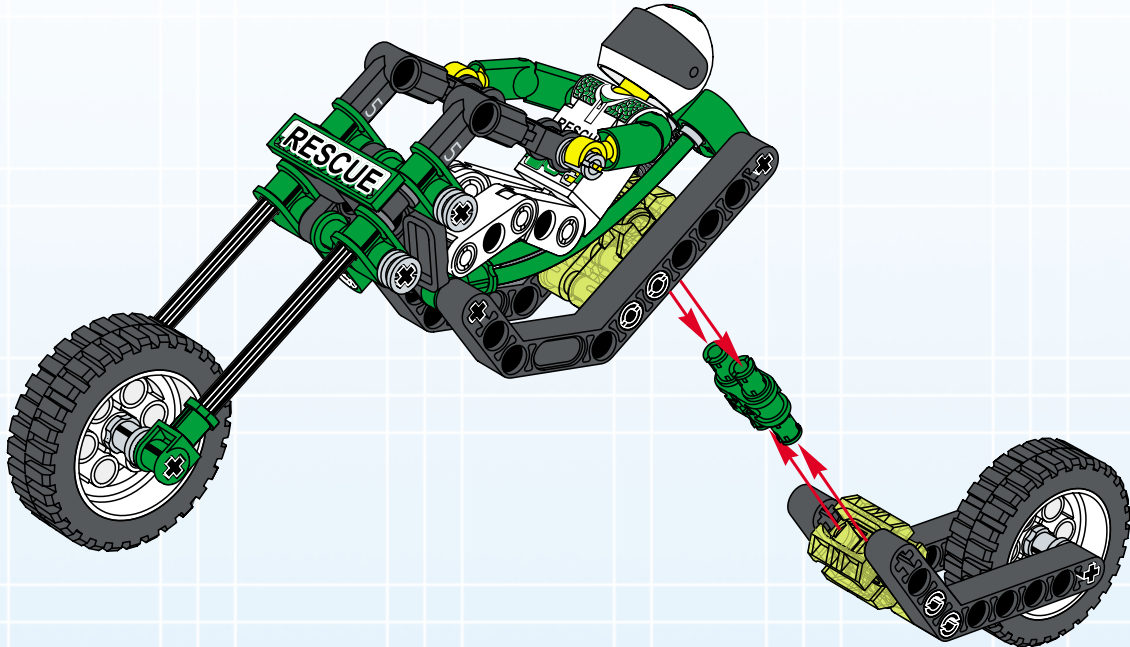
4



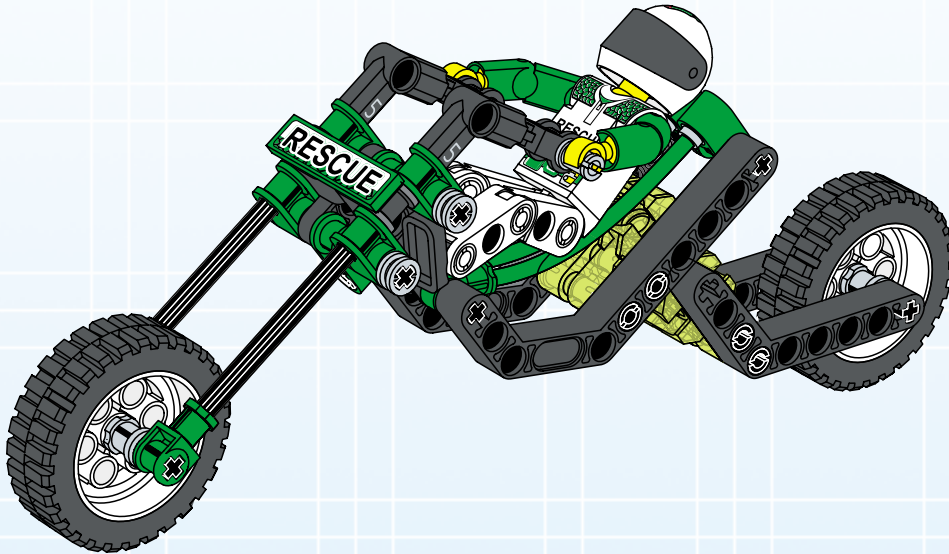


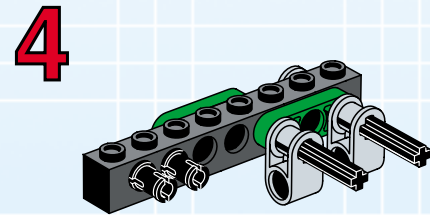
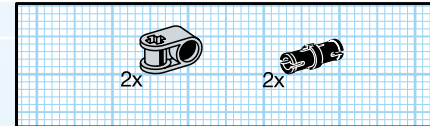
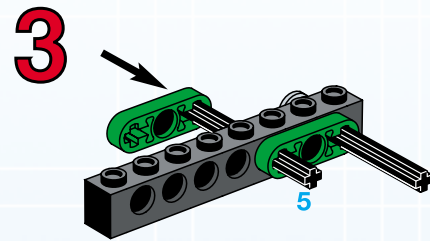
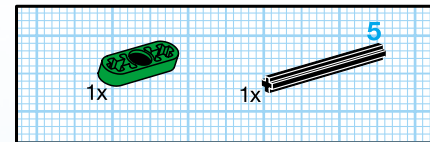
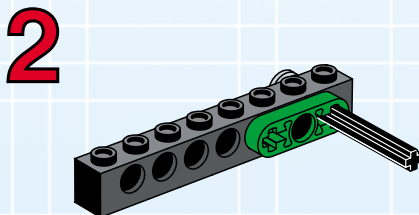
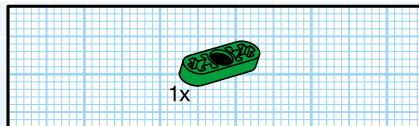
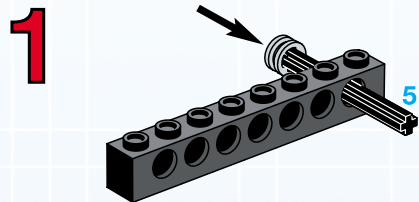
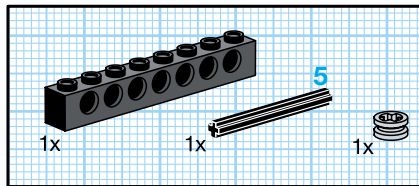


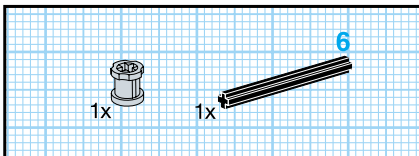
5



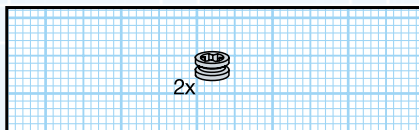
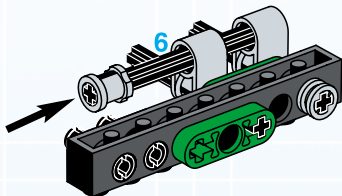
6



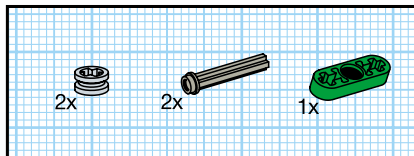
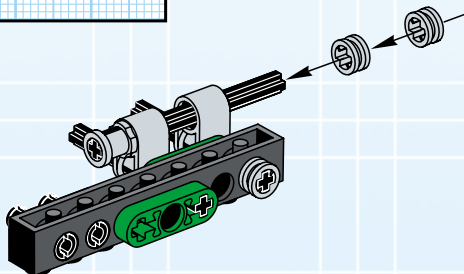




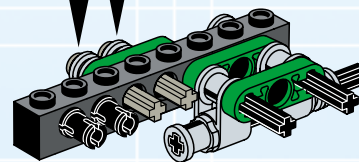
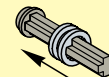
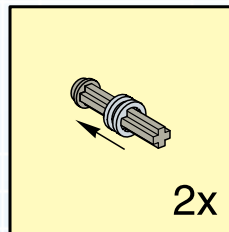
5



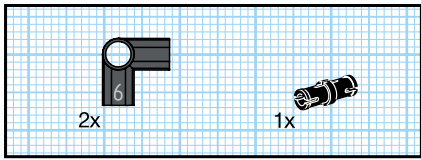
6



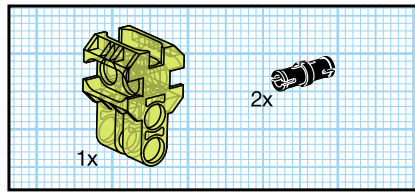
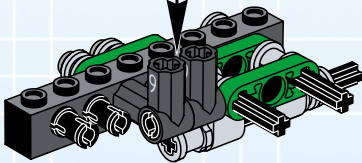
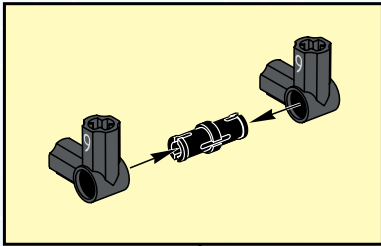
7



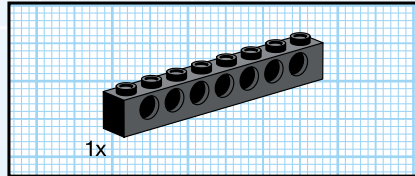
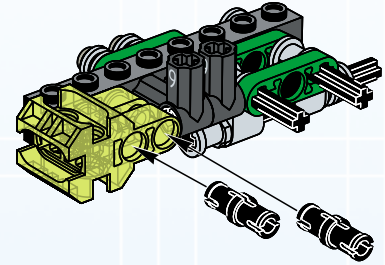




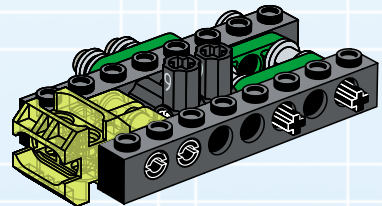
8

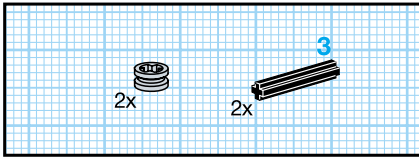


9

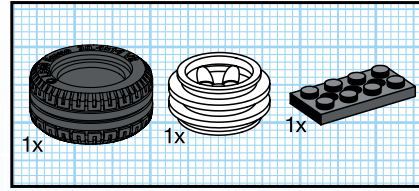
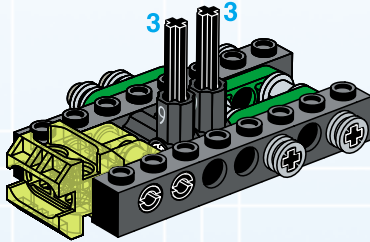


10

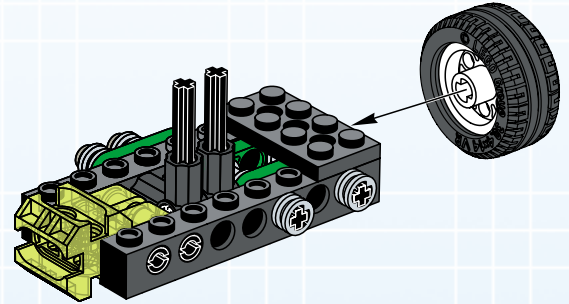


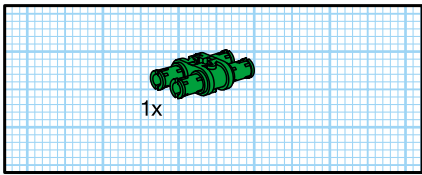


11

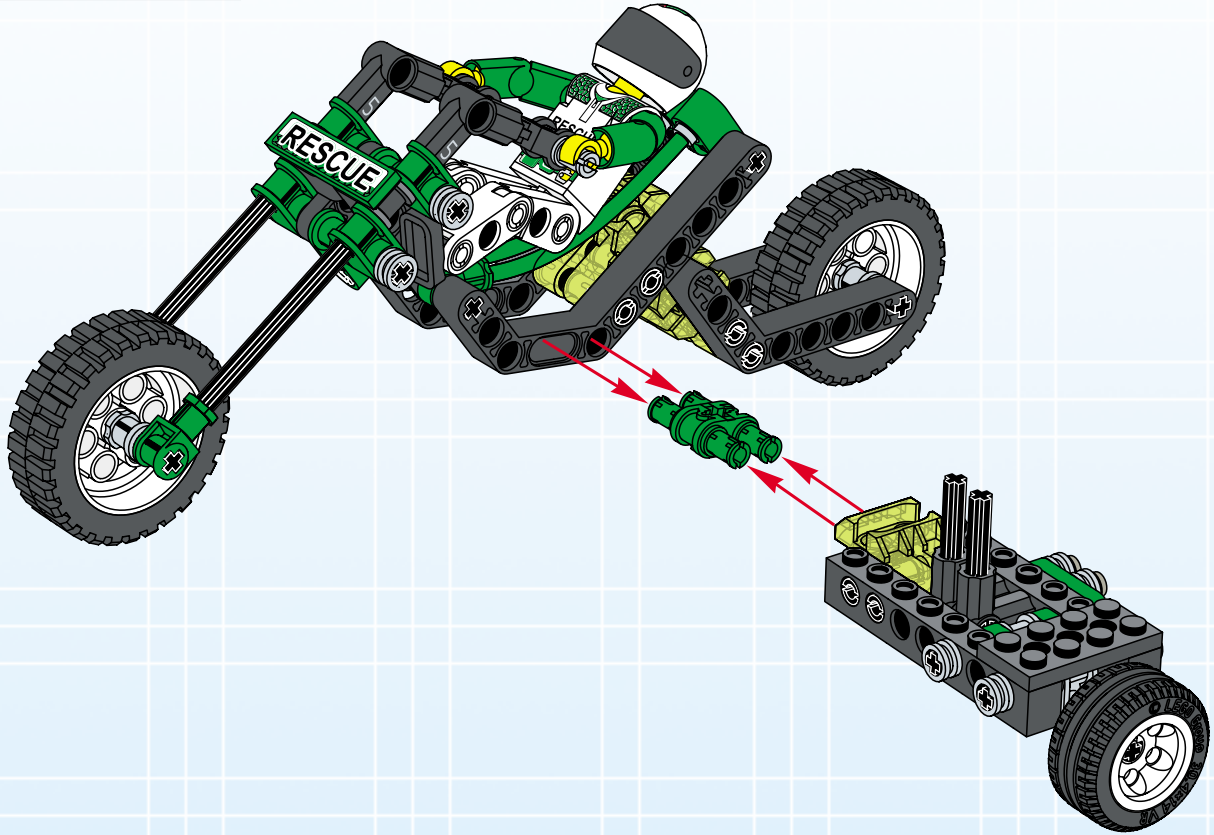


12

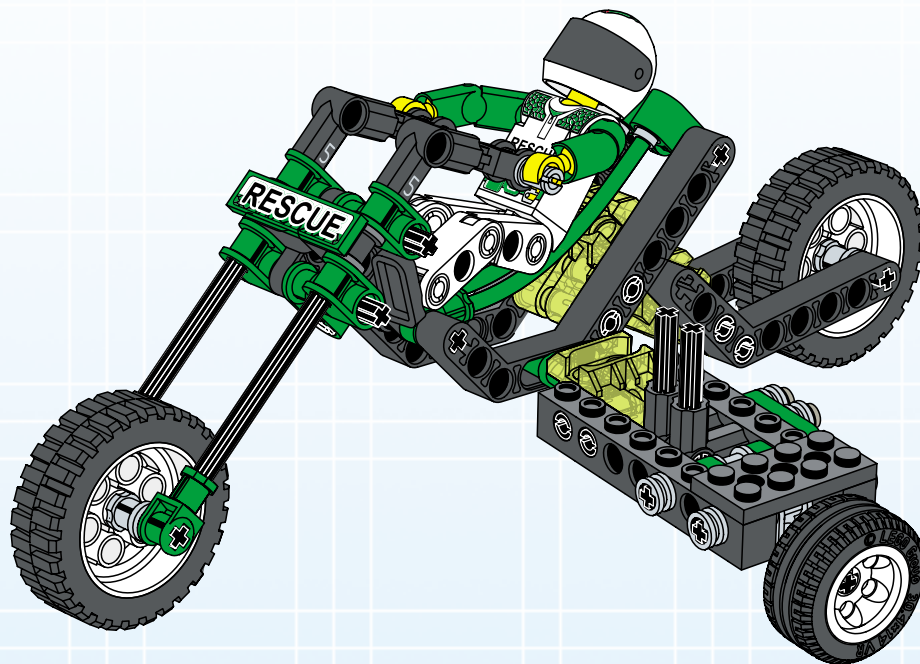




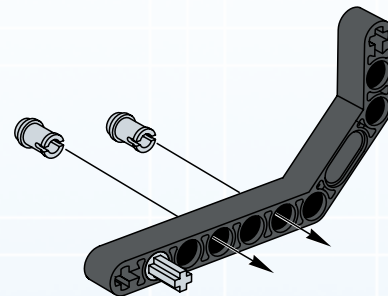
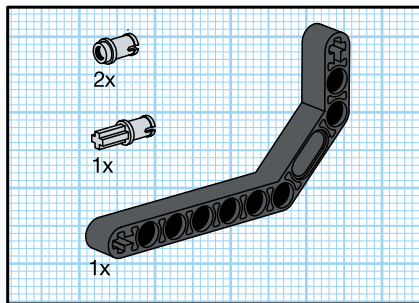
13



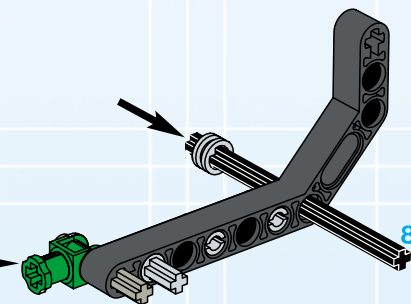
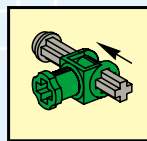
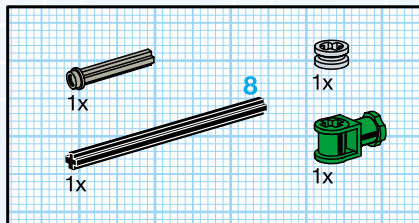
14



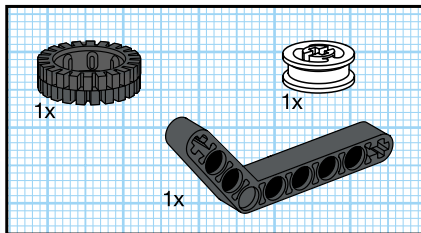




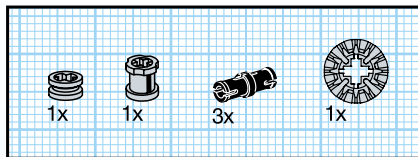
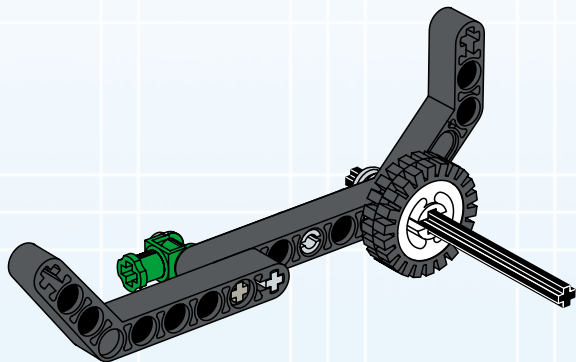
**1**



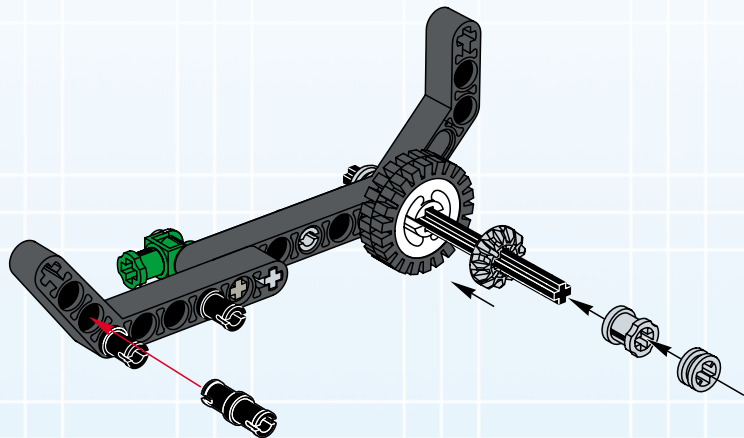
**2**

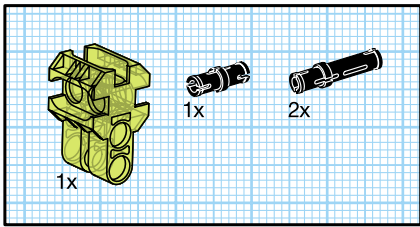


3

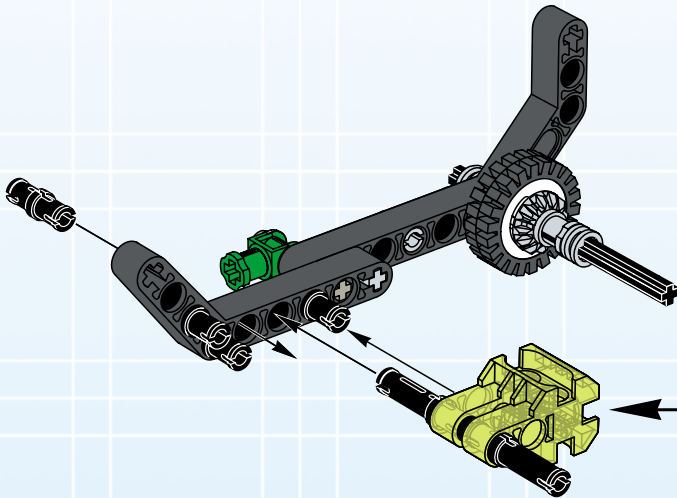
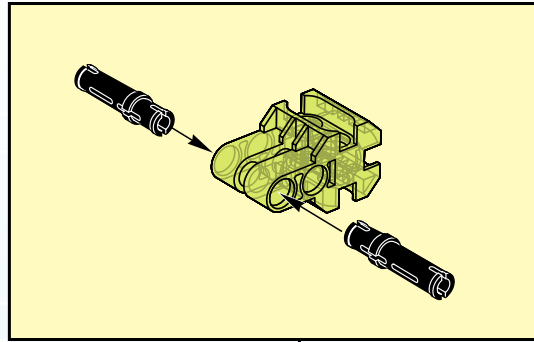


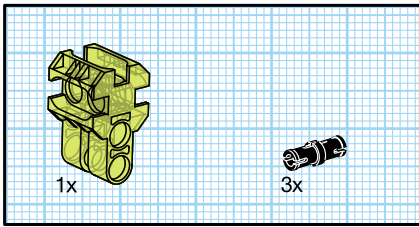
4



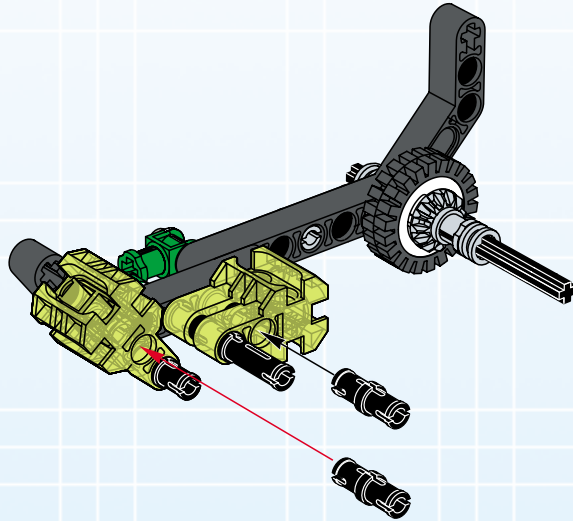


5



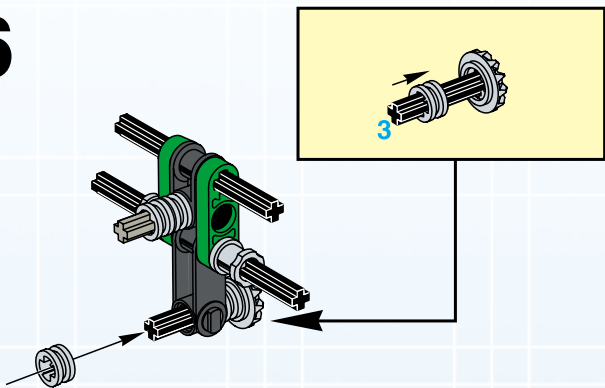


6

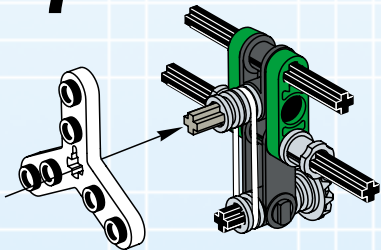




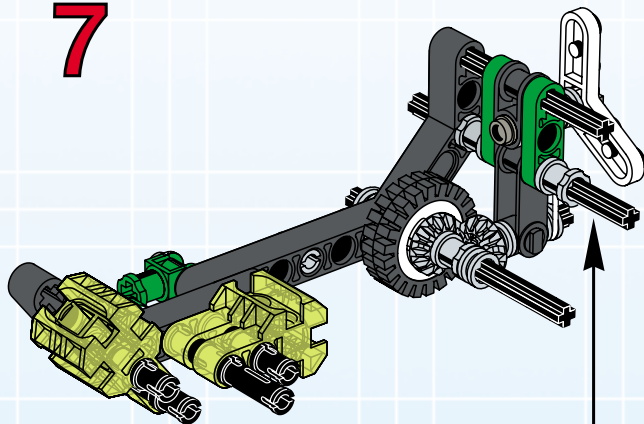
6

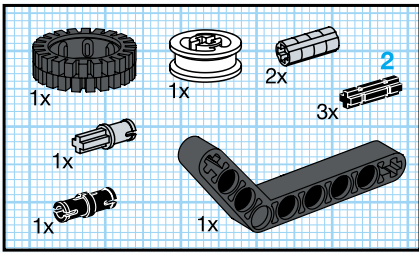


7

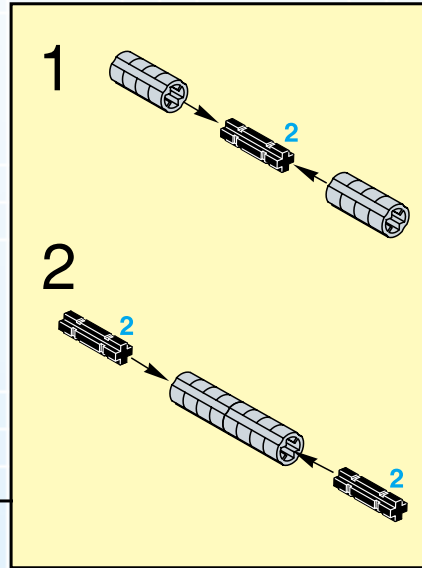
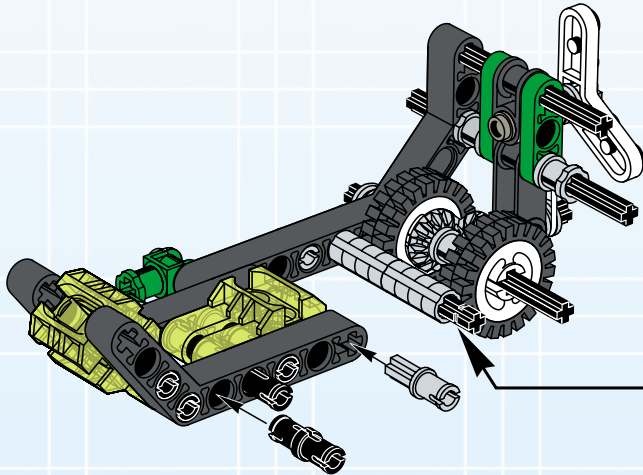


7

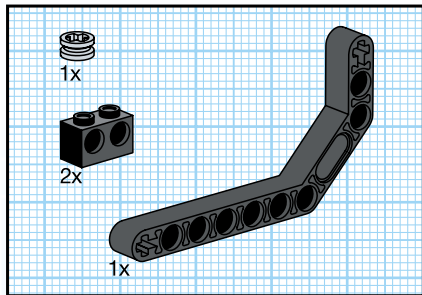




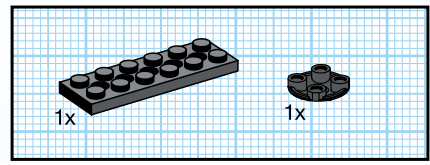
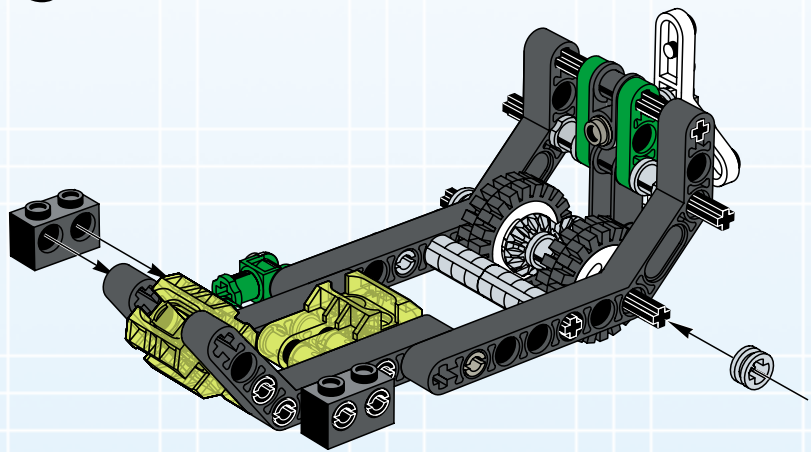
8



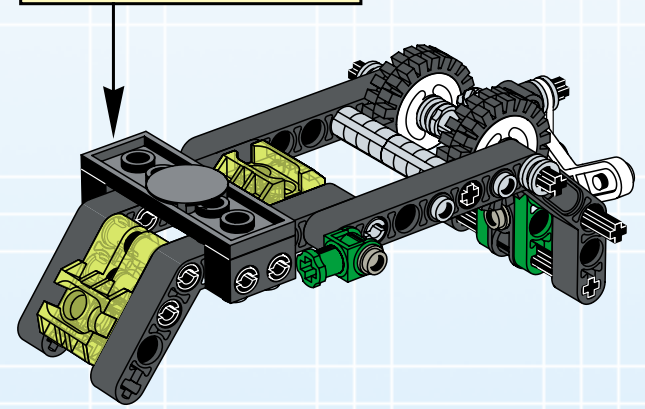
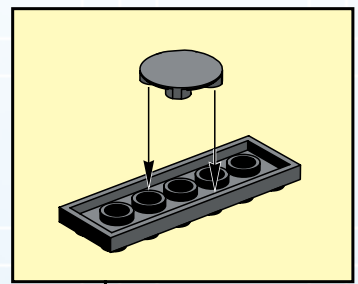


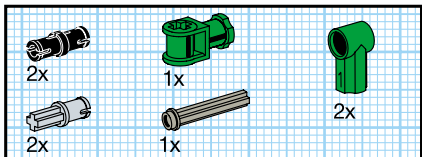


9

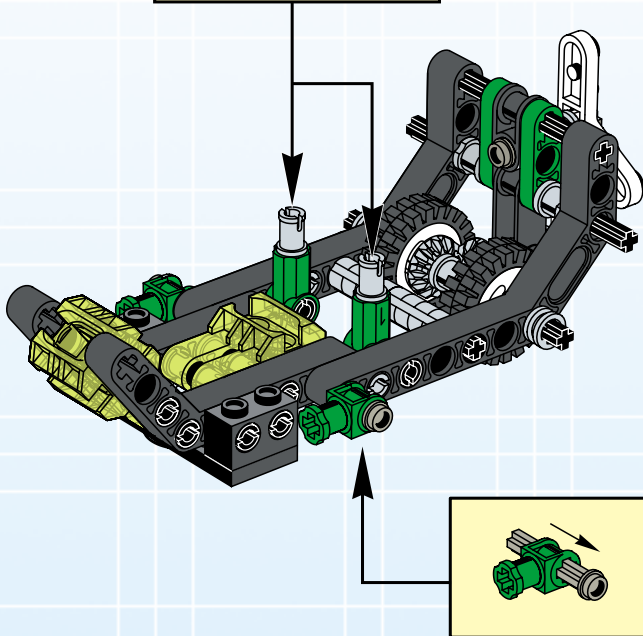
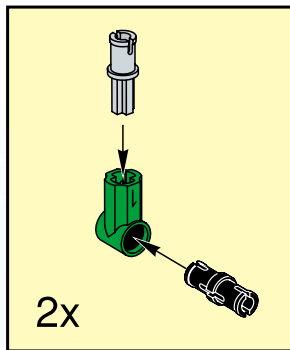


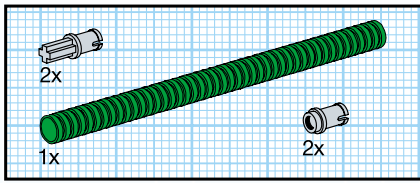
10



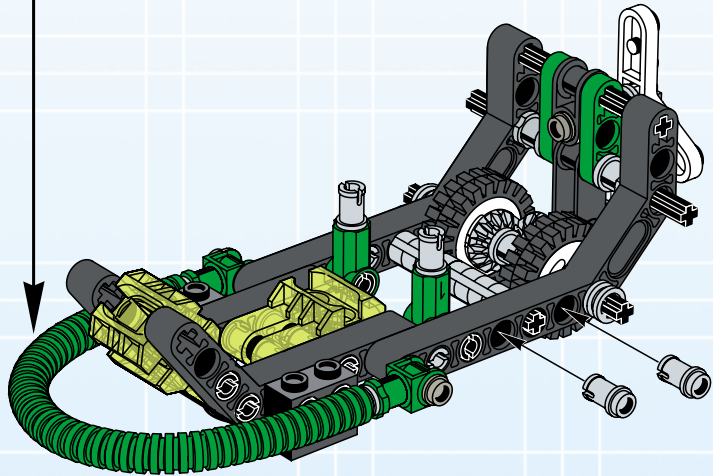
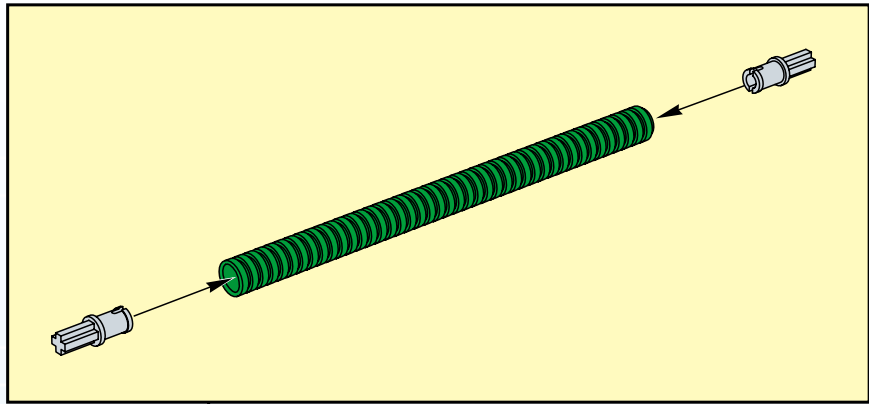


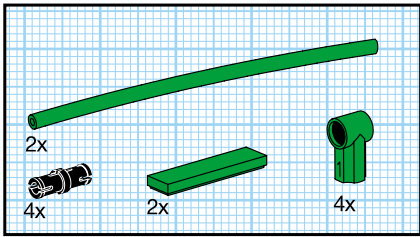
11



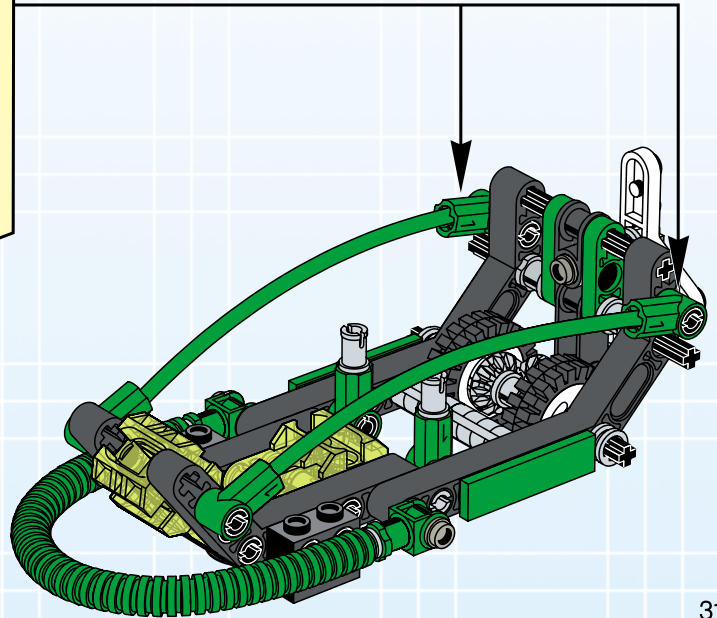
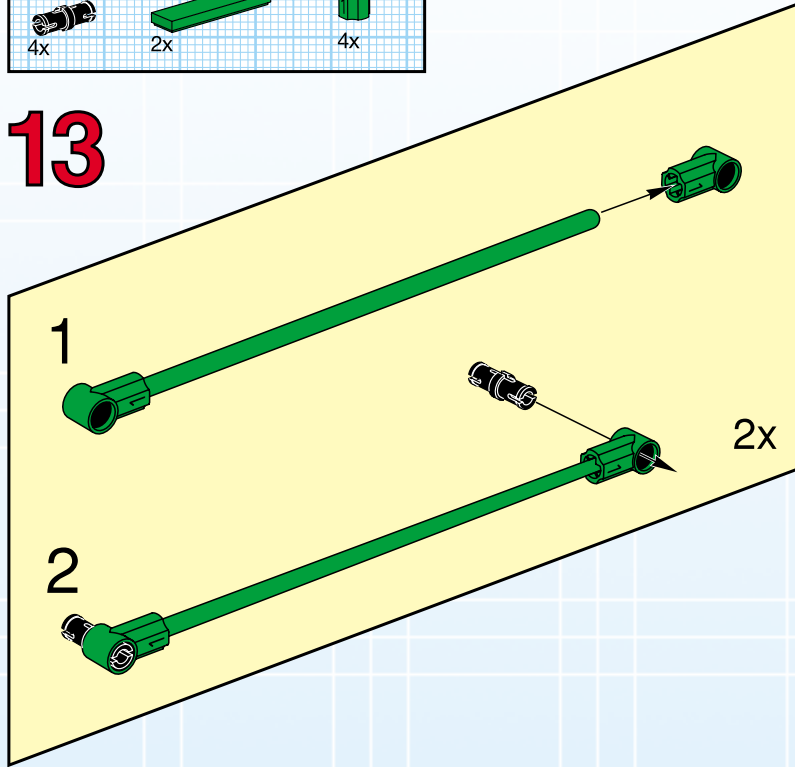


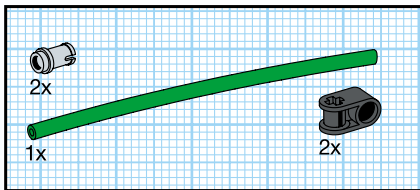
12



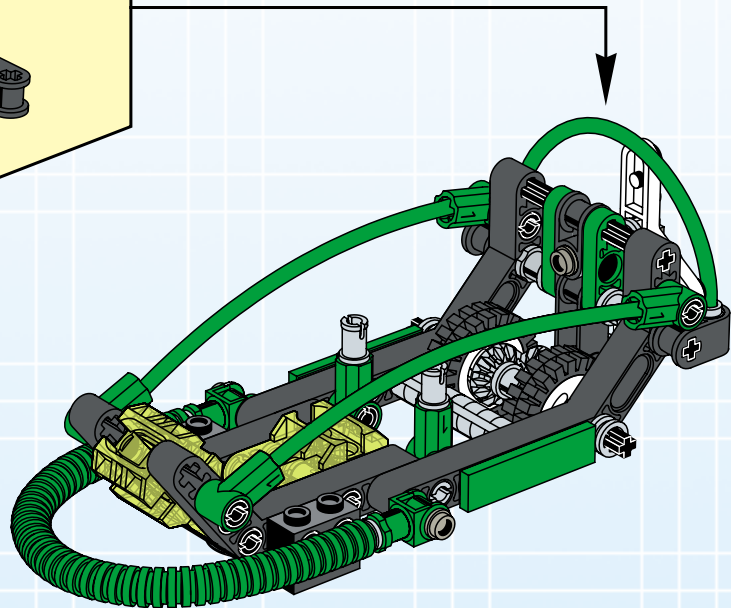
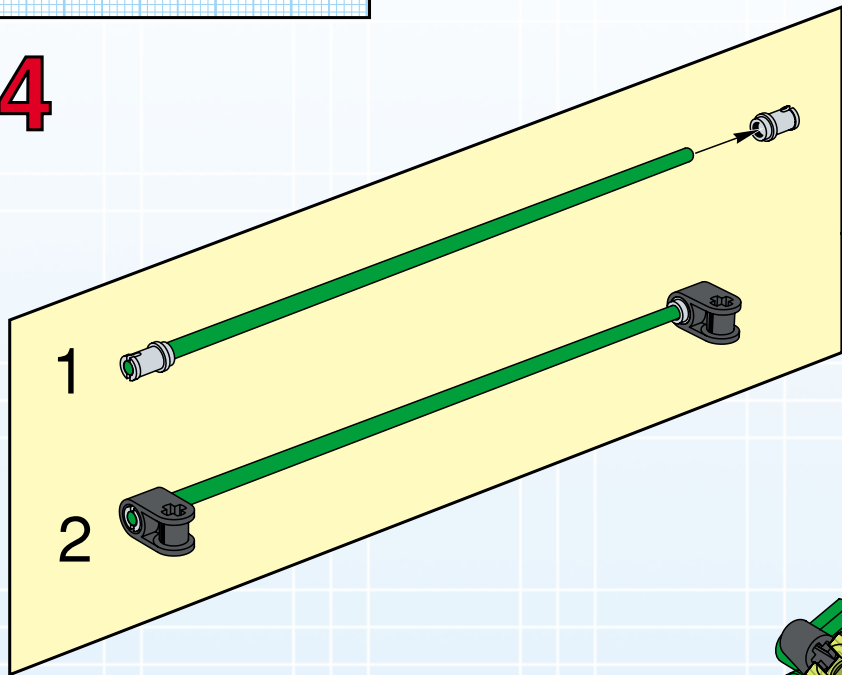


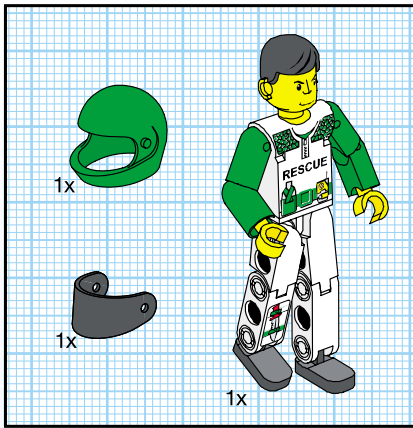
13



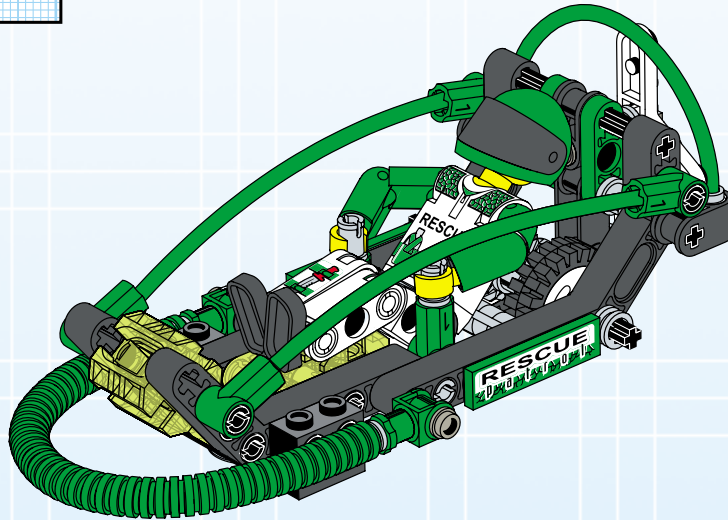


14

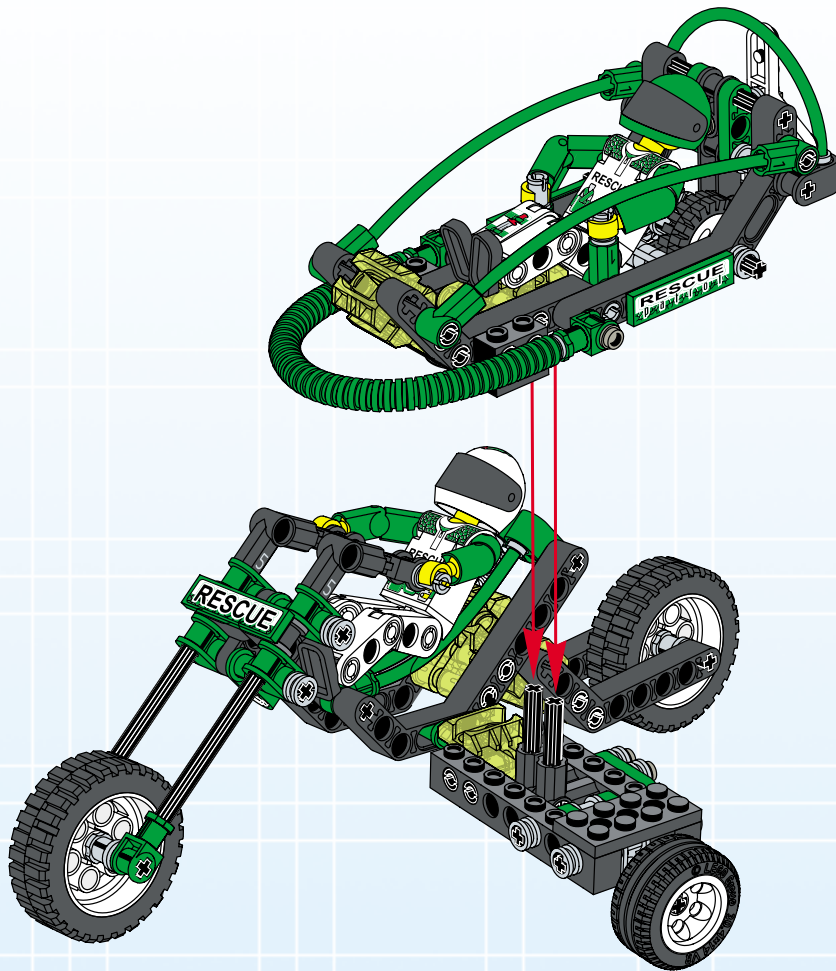




15

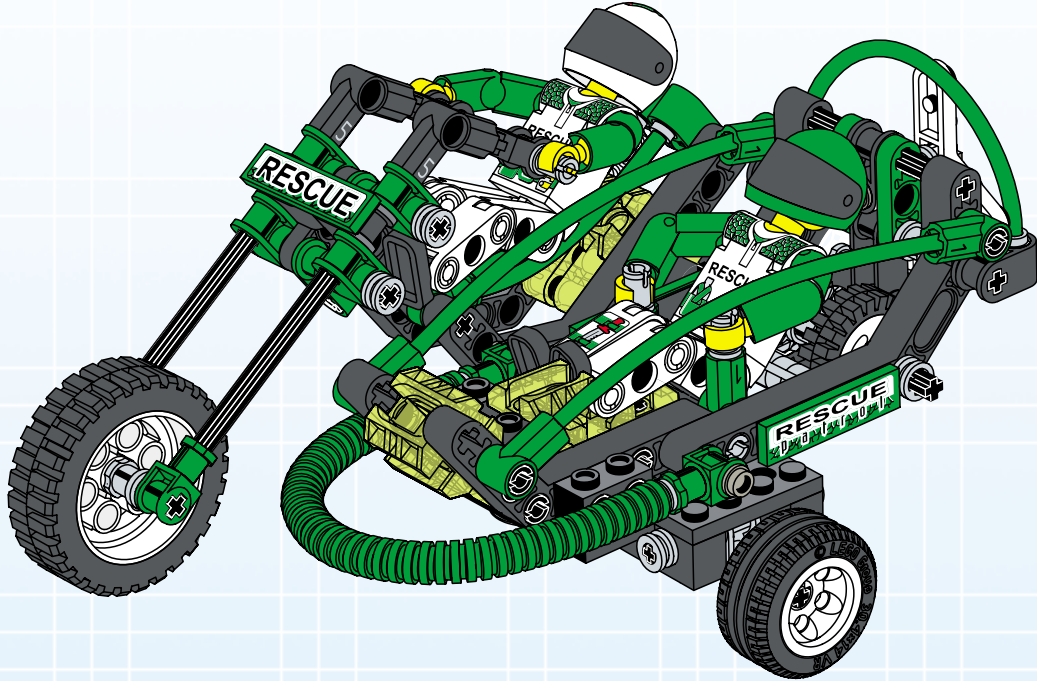


# 16





17



1



2



1



2



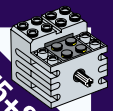
1



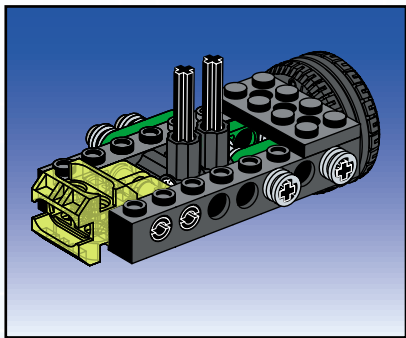
2







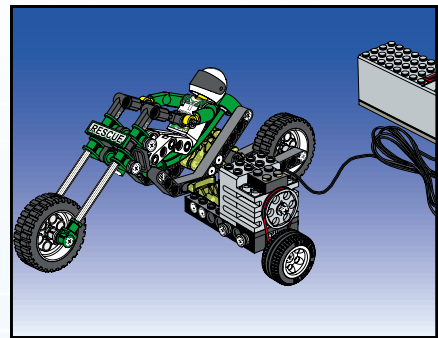
8255+8735



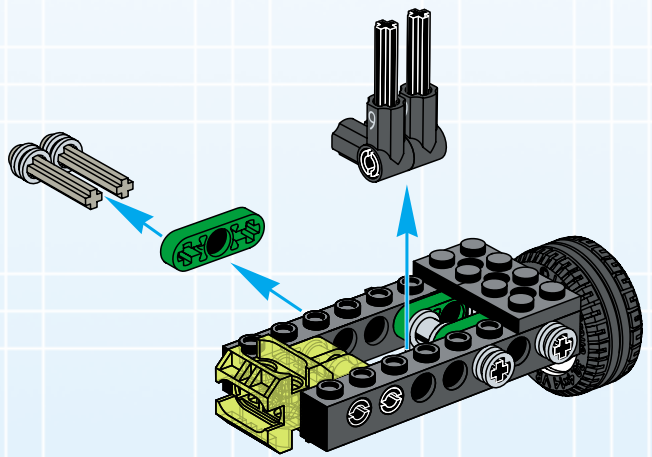
+



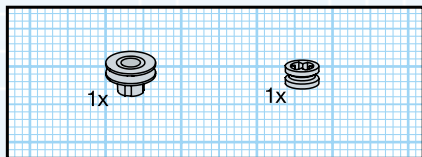
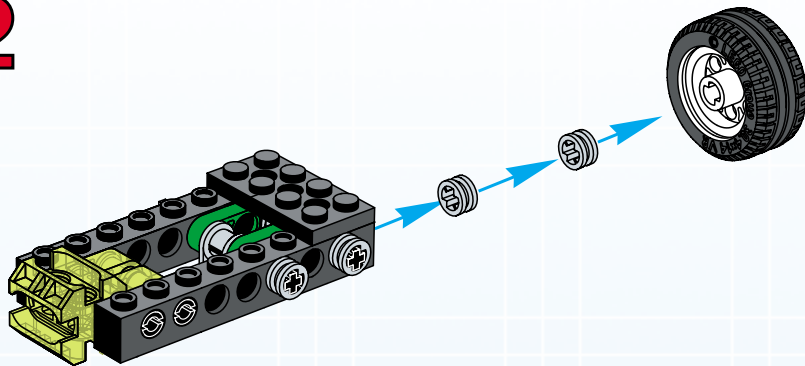
=



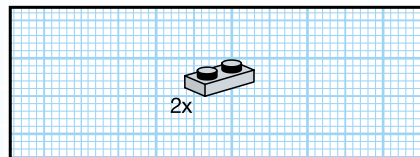
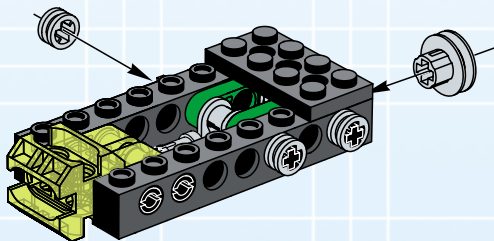
1



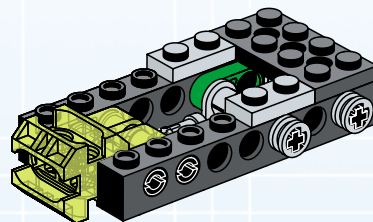
# 2



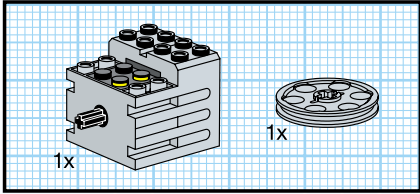
# 3



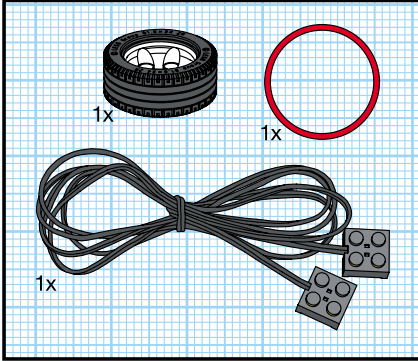
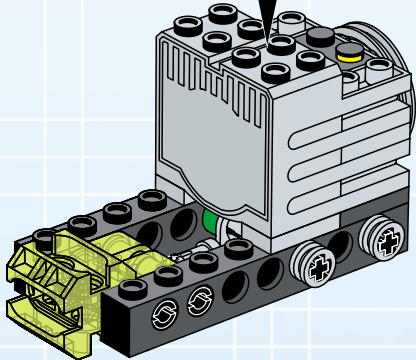
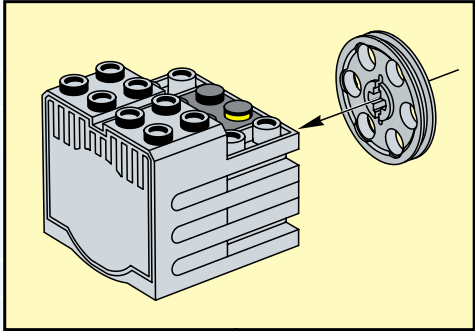
# 4



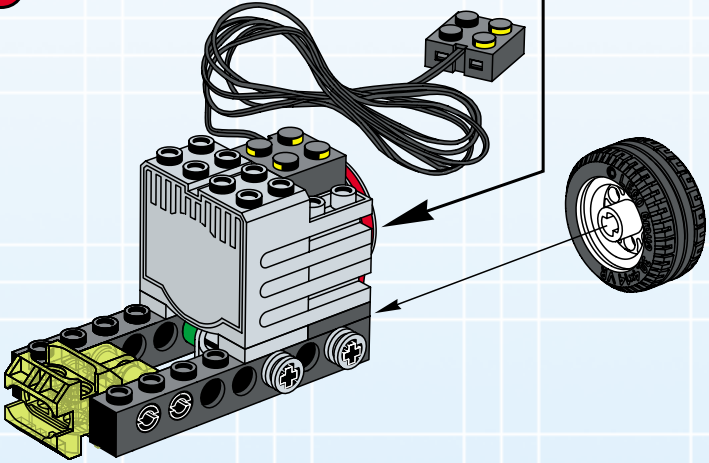
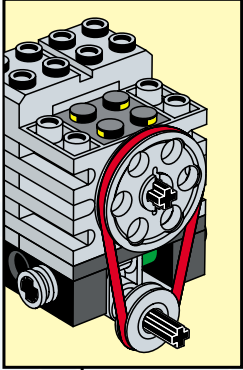
8255+8735



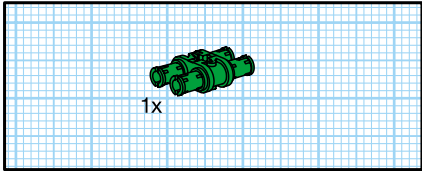
5



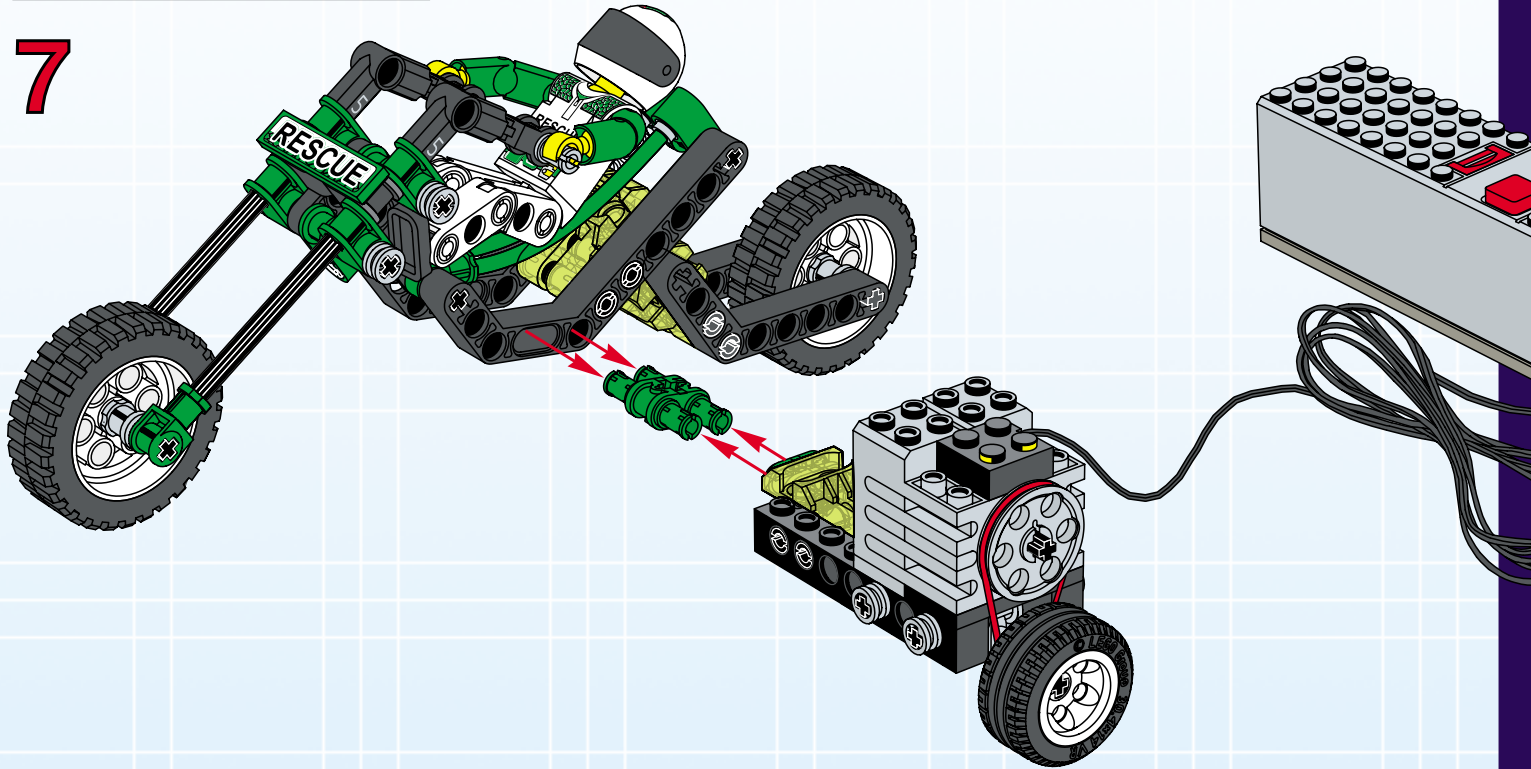
6



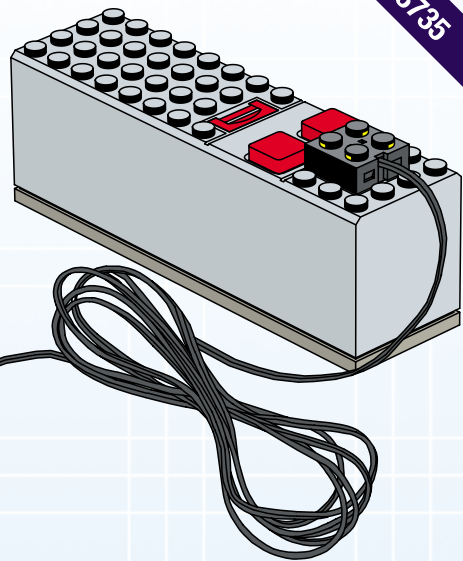
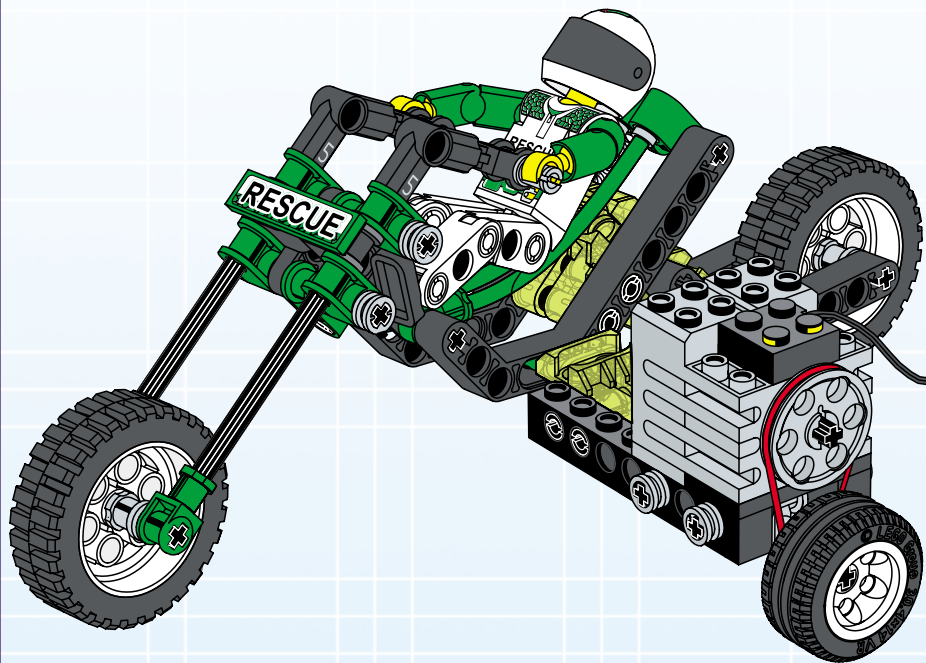
8255+8735



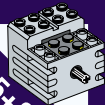
7



8



8255+8735









# Technic

# 8255



+



+



8252 + 8255

8252 + 8253

8252 + 8253 + 8255

8252 + 8253

8252 + 8255

8253 + 8255

8253 + 8255